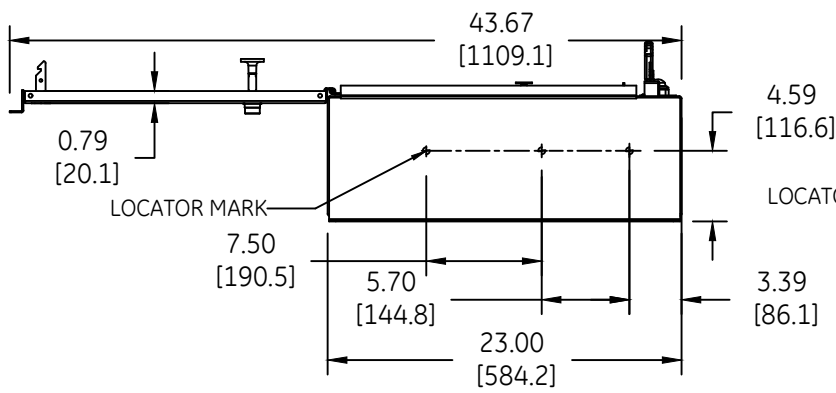
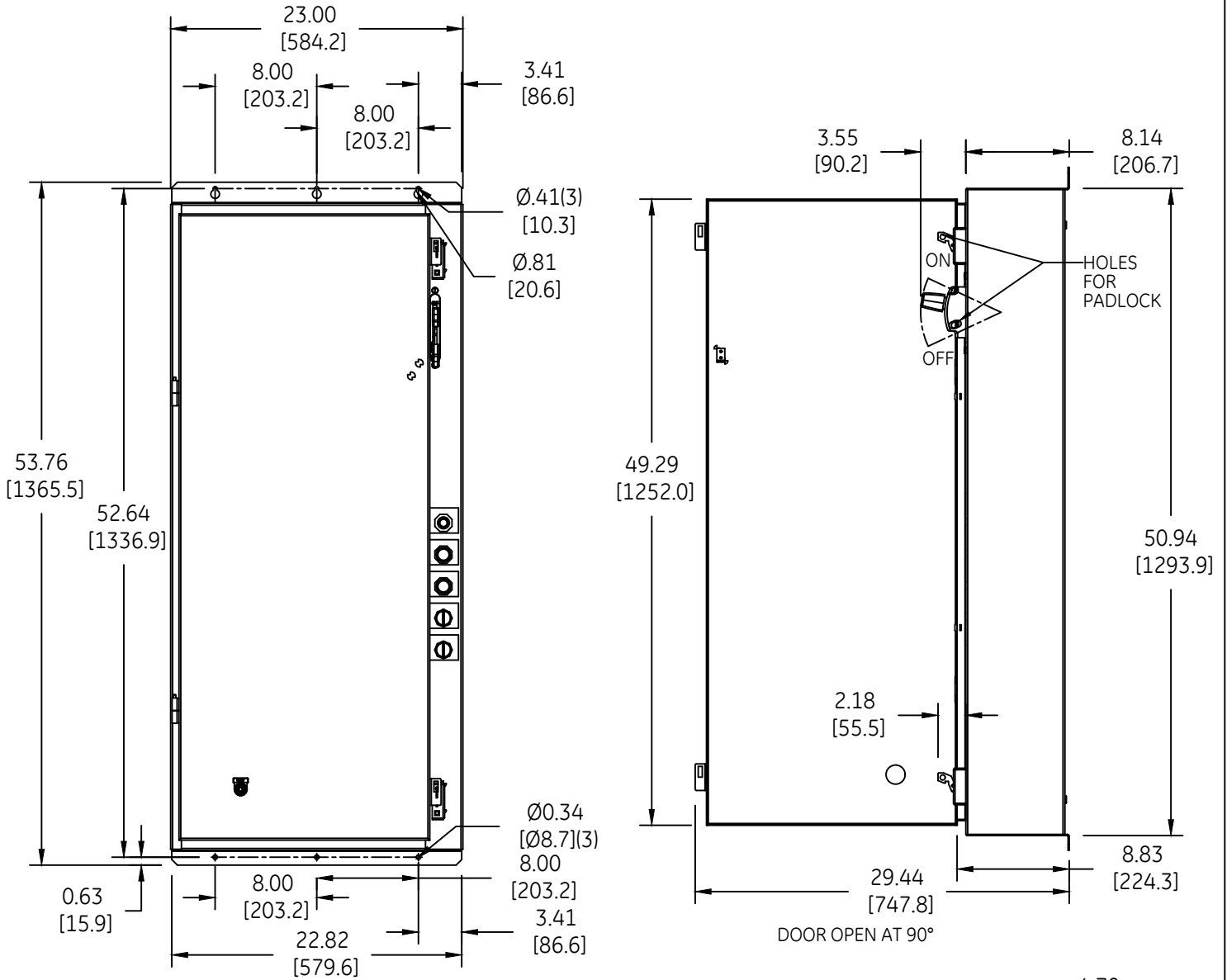
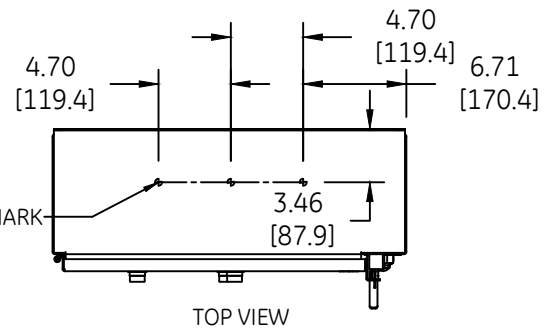


DUAL DIMENSIONS INCHES (ESTIMATING ONLY)
[MILLIMETERS]



(BOTTOM VIEW)
DOOR OPEN AT 180°



OUTLINE
TYPE 4/4X ENCLOSED

THIRD ANGLE	SHEET#	DWG NO.	DATE	REV
	1 of 1	270A7154	03/21	06