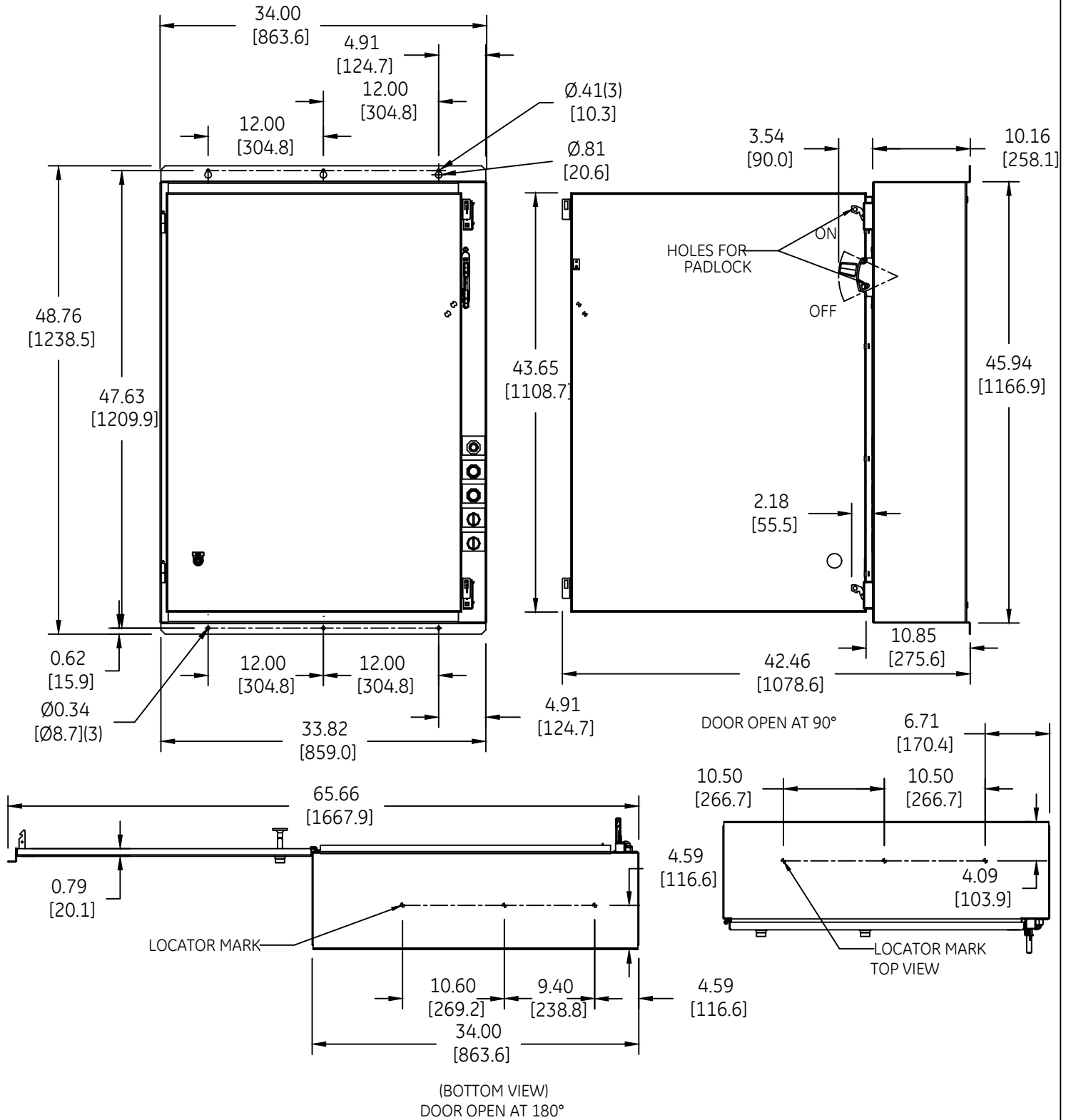


DUAL DIMENSIONS INCHES (ESTIMATING ONLY)
[MILLIMETERS]



OUTLINE
TYPE 4/4X ENCLOSED

| THIRD ANGLE | SHEET# | DWG NO. | DATE | REV |
|-------------|--------|----------|-------|-----|
| | 1 of 1 | 270A7155 | 03/21 | 06 |