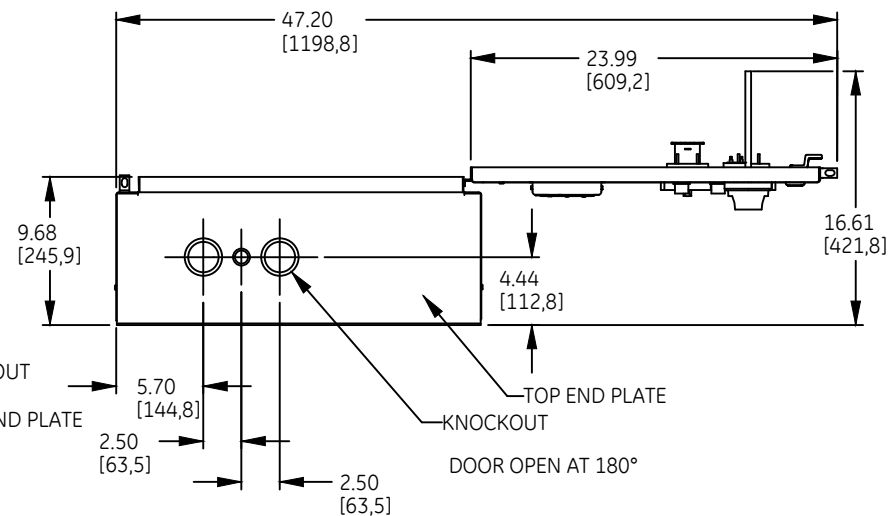
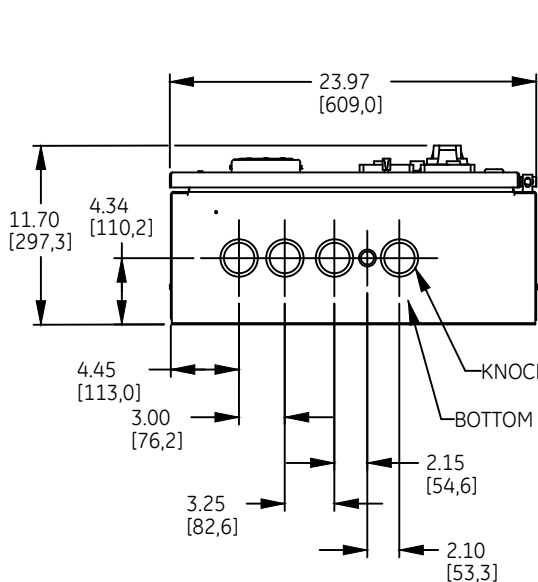
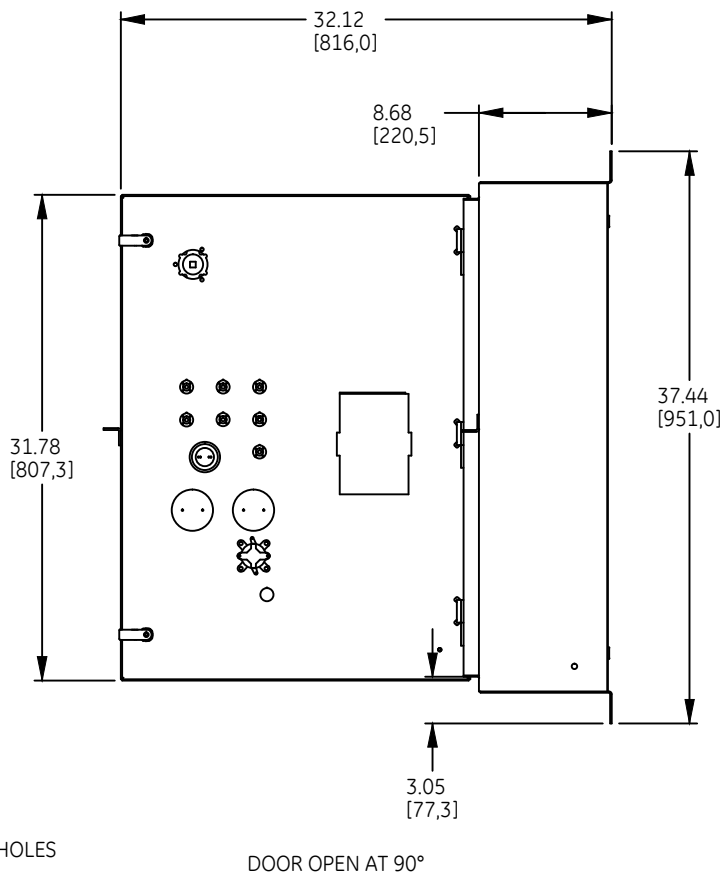
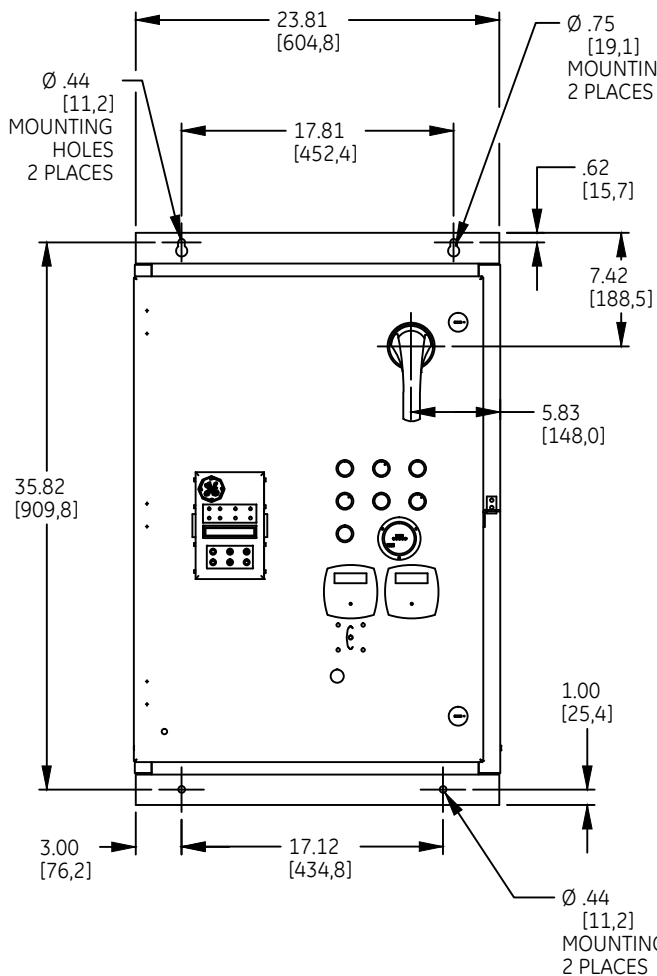


DUAL DIMENSIONS INCHES (ESTIMATING ONLY)  
[MILLIMETERS]



WEIGHT :146.51 LBS [66.46 KGS]  
2-7.5HP@208V, 2-10HP@230V, 5-25HP@460V, 5-30HP@575V



GE Energy

OUTLINE - ASTAT - XT ENCLOSURE  
WALLMOUNT, TYPE-1

AN #	THIRD ANGLE PROJECTION	SHEET #
BL-0471		1 OF 1

DWG NO.	DATE	REV
270A8104	07/03/10	5