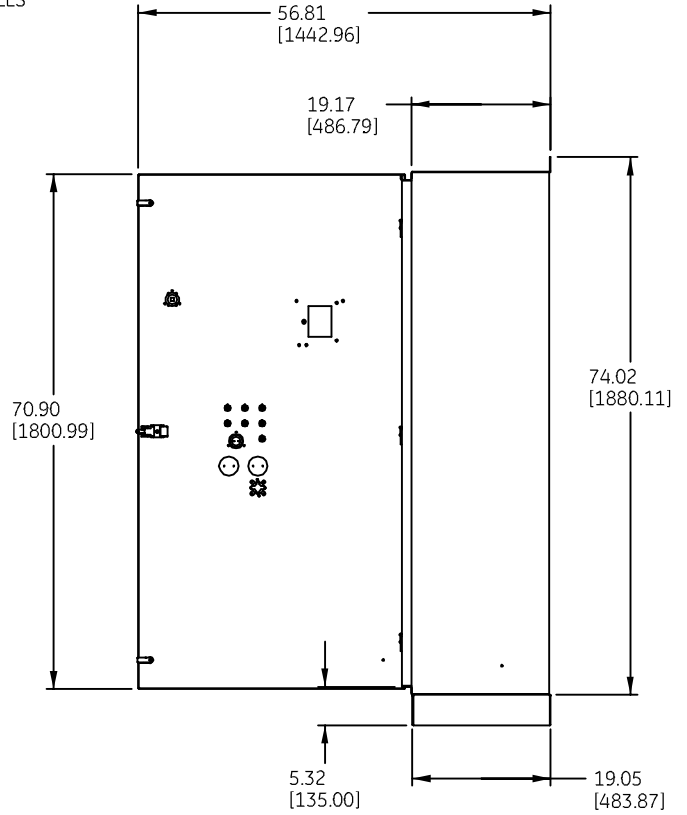
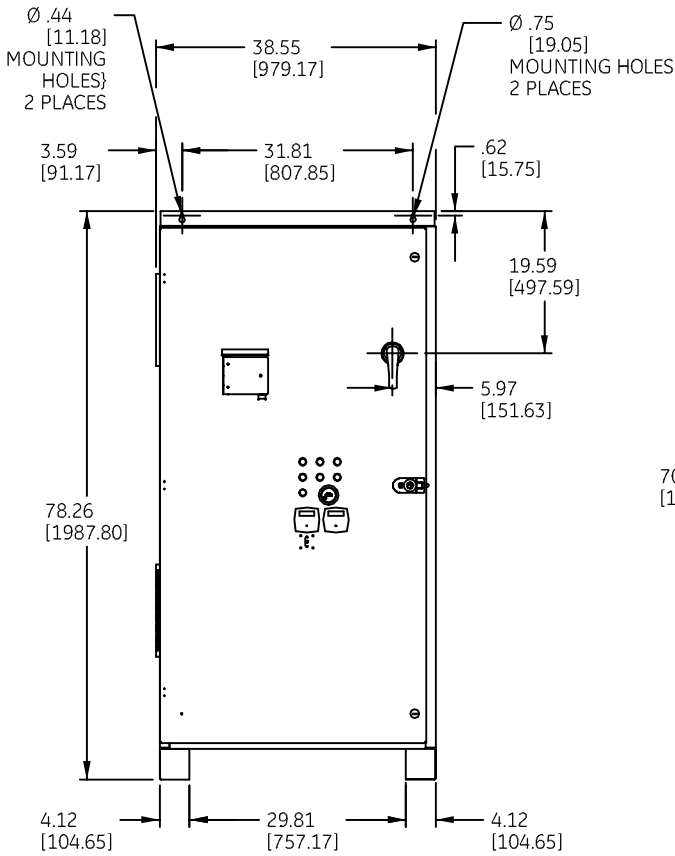
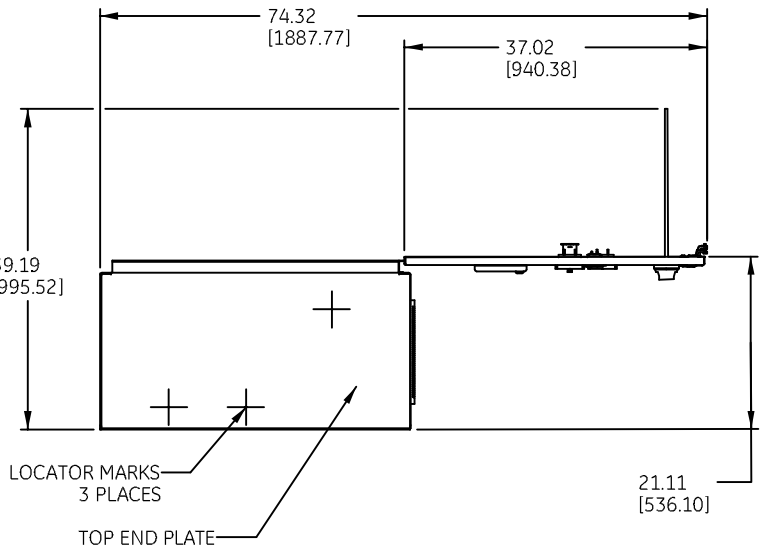
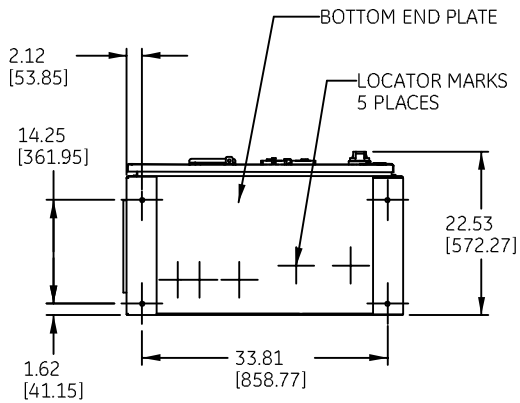


DUAL DIMENSIONS INCHES (ESTIMATING ONLY)
[MILLIMETERS]



DOOR OPEN AT 90°



DOOR OPEN AT 180°

WEIGHT :646.82 LBS [293.75 KGS]
50-100HP@208V,75-100HP@230V, 125-200HP@460V AND 150-250HP@575V



imagination at work

OUTLINE - ASTAT-XT ENCLOSURE
FLOORMOUNT, TYPE-12

AN #	THIRD ANGLE PROJECTION	SHEET #	DWG NO.	DATE	REV
BL-0341		1 OF 1	270A8113	04/12/10	2