

| CUSTOMER TERMINATION |                                      |                |               |
|----------------------|--------------------------------------|----------------|---------------|
| LOCATION             | CONNECTION TYPE                      | HOLE SIZE      | HOLE QTY      |
| PRIMARY BUS BARS     | STANDARD BUS BAR (LUGS ARE OPTIONAL) | .41 [10.3] DIA | 2 PER BUS BAR |
| SECONDARY BUS BARS   |                                      |                |               |

**APPROX TOTAL WEIGHT LBS [KG]**  
 PAINTED: 900 [408]  
 STAINLESS STEEL: 980 [445]

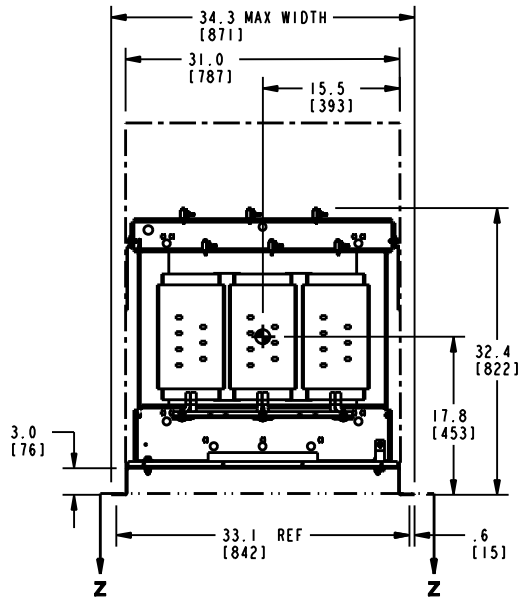
kVA RATING:  
 K-FACTOR:  
 PRI VOLTAGE:  
 SEC VOLTAGE:  
 FREQ (Hz):  
 TEMP RISE:  
 WINDING MATL:  
 ES SHIELD:  
 SOUND LVL (dB):

**NOTES:**

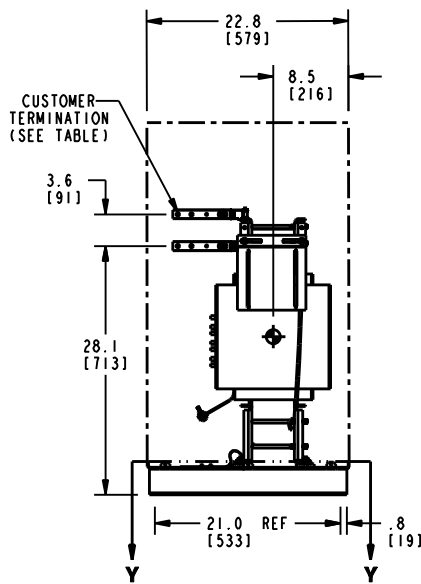
- 1) ALL UNITS ARE UL LISTED AND ARE DESIGNED PER NEMA ST-20 STANDARDS.
- 2) THE TEMPERATURE RISE LISTED WAS DETERMINED WHEN THE TRANSFORMER WAS MOUNTED IN A STANDARD NEMA-2 ENCLOSURE.
- 3) TRANSFORMER IS DESIGNED FOR FLOOR MOUNTING. OPTIONAL WALL MOUNTING BRACKETS ARE AVAILABLE.
- 4) TRANSFORMER IS DRY TYPE, CLASS AA, WITH VENTILATED ENCLOSURE FOR INDOOR USE. OPTIONAL RAINSHIELD KITS ARE AVAILABLE TO ADAPT UNIT FOR TYPE 3R OUTDOOR USE WITHOUT VOIDING THE WARRANTY.
- 5) APPLICABLE WHEN OPTIONAL RAINSHIELDS ARE INSTALLED. RAINSHIELDS ARE SHIPPED IN KITS FOR FIELD INSTALLATION.
- 6) CABLE ENTRANCE IS PERMITTED THROUGH THE LEFT SIDE, RIGHT SIDE AND/OR BOTTOM ENCLOSURE PANELS ONLY. CABLE ENTRANCE IS NOT PERMITTED THROUGH THE FRONT, REAR OR TOP PANELS.
- 7) FOR LIFTING OTHER THAN WITH A FORK TRUCK, REMOVE TOP COVER AND USE 1" [25 MM] DIAMETER HOLES IN THE TOP CORE CLAMPS.
- 8) ENCLOSURE PAINT COLOR IS ANSI #61 GRAY.
- 9) 6" [152 MM] MINIMUM CLEARANCE IS REQUIRED FROM ALL WALLS.
- 10) USE THIS DIMENSION WHEN PLANNING THE MOUNTING PAD.

|                              |  |                               |   |
|------------------------------|--|-------------------------------|---|
| JOB NAME:<br>SPEEDI PROP:    | UNLESS OTHERWISE SPECIFIED<br>ALL DIMENSIONS ARE INCH [MM] | <b>Transformers</b><br>by ABB | <b>DRY TYPE TRANSFORMER OUTLINE DRAWING</b><br><b>TYPE QL, 3-PHASE, DOE 2016 EFFICIENCY</b><br><b>(ENCLOSED UNIT)</b> |
|                              | THIRD ANGLE PROJECTION<br>                                 |                               |   |
| electrification.us.abb.com   | SHEET 1 OF 2   |                               |   |
| CAD DRAWING: 303B111GEDXP75C |  |                               |   |

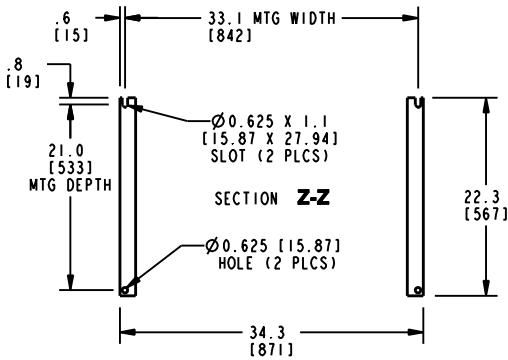
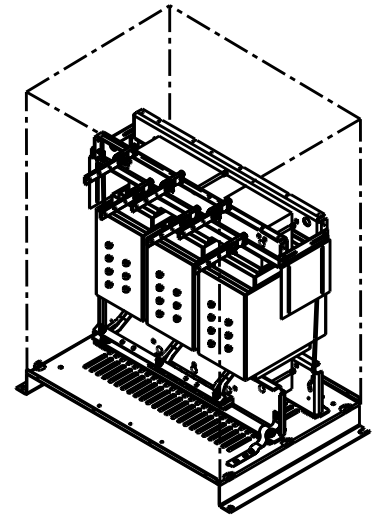
**FRONT VIEW**



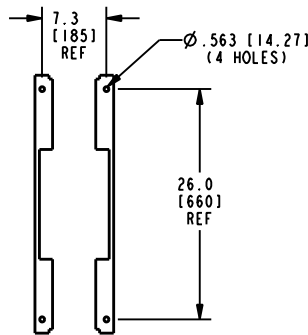
**SIDE VIEW**



**ISOMETRIC VIEW**



**BOTTOM VIEW OF MOUNTING HOLE PATTERN**



**SECTION Y-Y**

**BOTTOM VIEW OF MOUNTING HOLE PATTERN WITHOUT BASE ATTACHED**

| CUSTOMER TERMINATION |                                      |                |               |
|----------------------|--------------------------------------|----------------|---------------|
| LOCATION             | CONNECTION TYPE                      | HOLE SIZE      | HOLE QTY      |
| PRIMARY BUS BARS     | STANDARD BUS BAR (LUGS ARE OPTIONAL) | .41 [10.3] DIA | 2 PER BUS BAR |
| SECONDARY BUS BARS   |                                      |                |               |

**APPROX TOTAL WEIGHT LBS [KG]**  
**PAINTED: 790 [358]**

**kVA RATING:**  
**K-FACTOR:**  
**PRI VOLTAGE:**  
**SEC VOLTAGE:**  
**FREQ (Hz):**  
**TEMP RISE:**  
**WINDING MATL:**  
**ES SHIELD:**  
**SOUND LVL (dB):**

**NOTES:**

- 1) ALL UNITS ARE UL LISTED AND ARE DESIGNED PER NEMA ST-20 STANDARDS.
- 2) THE TEMPERATURE RISE LISTED WAS DETERMINED WHEN THE TRANSFORMER WAS MOUNTED IN A STANDARD NEMA-2 ENCLOSURE.
- 3) TRANSFORMER IS DRY TYPE, CLASS AA FOR INDOOR USE.
- 4) FOR LIFTING OTHER THAN WITH A FORK TRUCK, USE 1" [25 MM] DIAMETER HOLES IN THE TOP CORE CLAMPS.
- 5) BASE PAINT COLOR IS ANSI #61 GRAY.
- 6) 6" [152 MM] MINIMUM CLEARANCE IS REQUIRED FROM ALL WALLS.
- 7) ⦿ INDICATES APPROXIMATE CENTER OF GRAVITY.

**JOB NAME:**

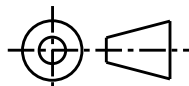
**SPEEDI PROP:**

[electrification.us.abb.com](http://electrification.us.abb.com)

**CAD DRAWING: 303B111GEDXP75C**

UNLESS OTHERWISE SPECIFIED  
 ALL DIMENSIONS ARE INCH [MM]

THIRD ANGLE PROJECTION



**SHEET 2 OF 2**



**Transformers**

by **ABB**

**DRY TYPE TRANSFORMER OUTLINE DRAWING**  
**TYPE QL, 3-PHASE, DOE 2016 EFFICIENCY**  
**(CORE & COIL UNIT)**

**CATALOG #**

**REV 1**