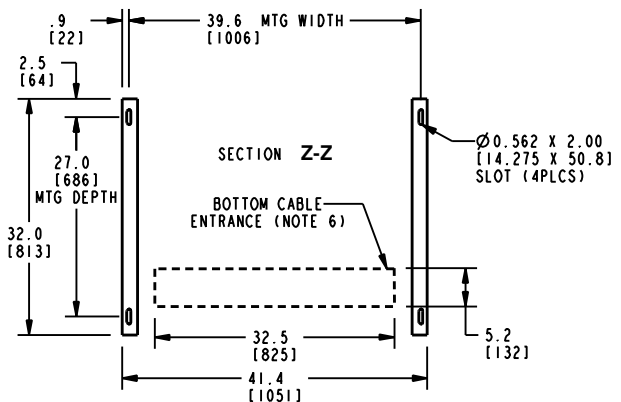
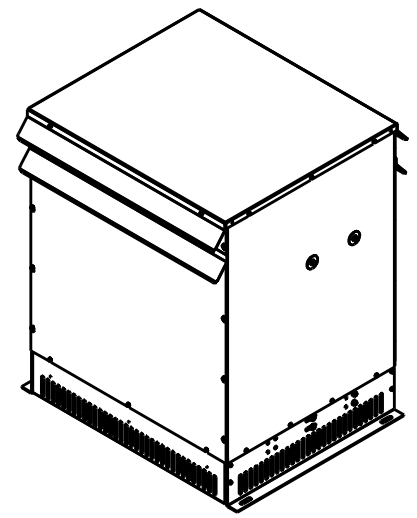
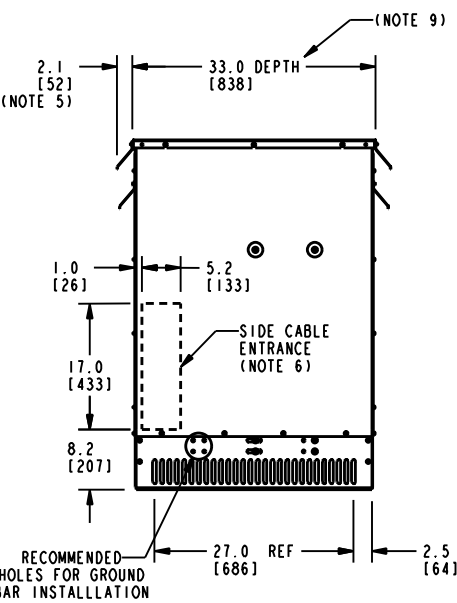
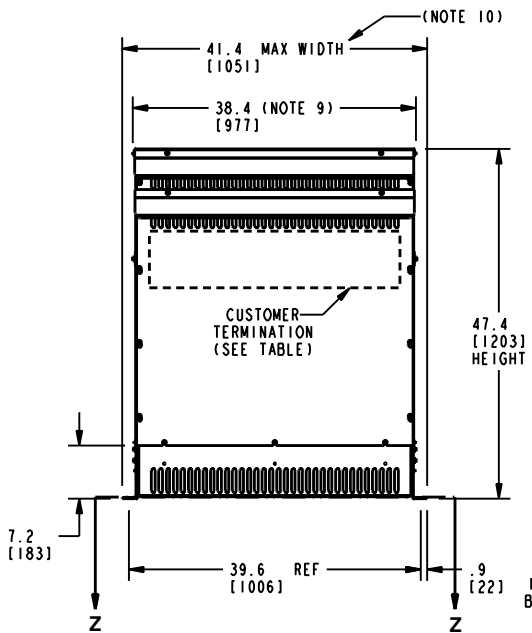


FRONT VIEW

SIDE VIEW

ISOMETRIC VIEW




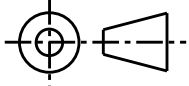
BOTTOM VIEW OF MOUNTING AND CABLE ENTRANCE

CUSTOMER TERMINATION				
STEP DOWN UNIT	STEP UP UNIT	CONNECTION TYPE	HOLE SIZE	HOLE QTY
PRIMARY BUS BARS	SECONDARY BUS BARS	STANDARD BUS BAR (LUGS ARE OPTIONAL)	.56 [14.2] DIA	2 PER BUS BAR
SECONDARY BUS BARS	PRIMARY BUS BARS			4 PER BUS BAR

APPROX TOTAL WEIGHT LBS [KG]
PAINTED: 1847 [838]

kVA RATING:
K-FACTOR:
PRI VOLTAGE:
SEC VOLTAGE:
FREQ (Hz):
TEMP RISE:
WINDING MATL:
ES SHIELD:
SOUND LVL (dB):

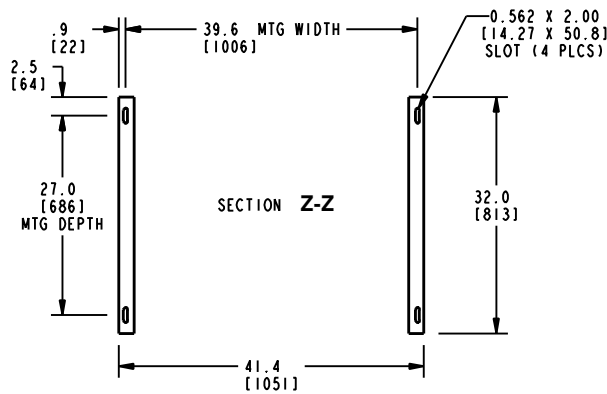
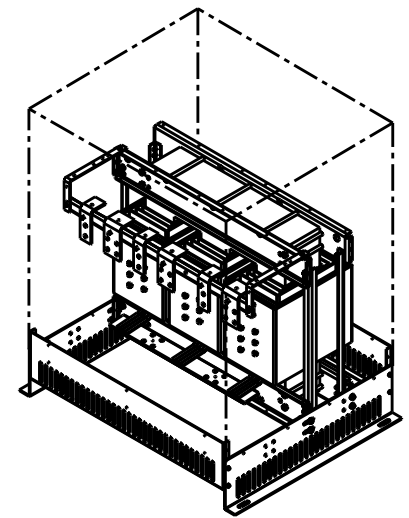
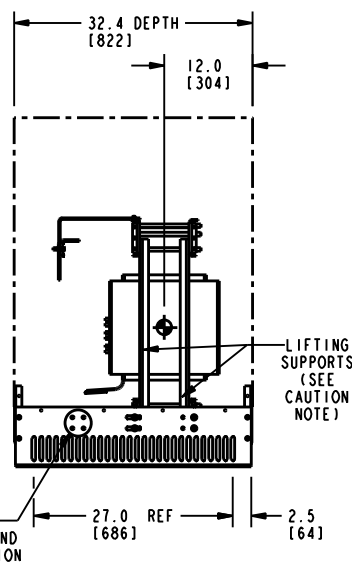
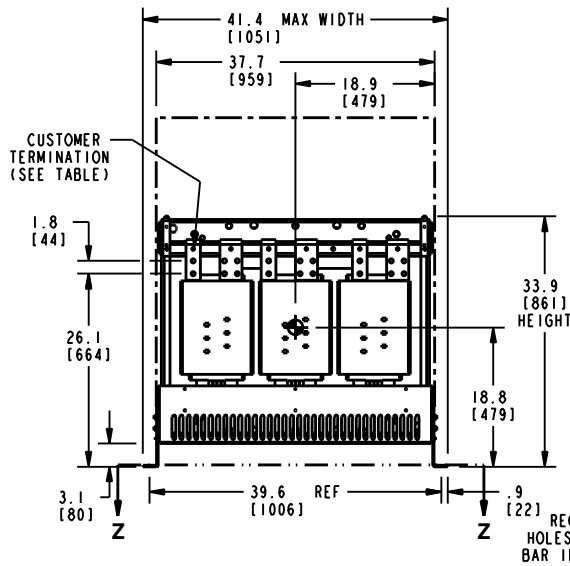
- NOTES:**
- 1) ALL UNITS ARE UL LISTED AND ARE DESIGNED PER NEMA ST-20 STANDARDS.
 - 2) THE TEMPERATURE RISE LISTED WAS DETERMINED WHEN THE TRANSFORMER WAS MOUNTED IN A STANDARD NEMA-2 ENCLOSURE.
 - 3) TRANSFORMER IS DESIGNED FOR FLOOR MOUNTING. OPTIONAL WALL MOUNTING BRACKETS ARE NOT AVAILABLE FOR THIS DESIGN/STYLE.
 - 4) TRANSFORMER IS DRY TYPE, CLASS AA, WITH VENTILATED ENCLOSURE FOR INDOOR USE. OPTIONAL RAINSHIELD KITS ARE AVAILABLE TO ADAPT UNIT FOR TYPE 3R OUTDOOR USE WITHOUT VOIDING THE WARRANTY.
 - 5) APPLICABLE WHEN OPTIONAL RAINSHIELDS ARE INSTALLED. RAINSHIELDS ARE SHIPPED IN KITS FOR FIELD INSTALLATION.
 - 6) CABLE ENTRANCE IS PERMITTED THROUGH THE LEFT SIDE, RIGHT SIDE AND/OR BOTTOM ENCLOSURE PANELS ONLY. CABLE ENTRANCE IS NOT PERMITTED THROUGH THE FRONT, REAR OR TOP PANELS.
 - 7) FOR LIFTING OTHER THAN WITH A FORK TRUCK, REMOVE TOP COVER AND USE 1" [25 MM] DIAMETER HOLES IN THE TOP CORE CLAMPS.
 - 8) ENCLOSURE PAINT COLOR IS ANSI #61 GRAY.
 - 9) 6" [152 MM] MINIMUM CLEARANCE IS REQUIRED FROM ALL WALLS.
 - 10) USE THIS DIMENSION WHEN PLANNING THE MOUNTING PAD.

JOB NAME: SPEEDI PROP: electrification.us.abb.com	UNLESS OTHERWISE SPECIFIED ALL DIMENSIONS ARE INCH [MM]	 Transformers by ABB
	THIRD ANGLE PROJECTION 	
CAD DRAWING: 303B112GEDXP77C	SHEET 1 OF 3	CATALOG # _____ REV 2

FRONT VIEW

SIDE VIEW

ISOMETRIC VIEW



BOTTOM VIEW OF MOUNTING HOLE PATTERN

CAUTION:

THE TEMPORARY LIFTING SUPPORTS (PAINTED YELLOW) MUST REMAIN ATTACHED TO THE TRANSFORMER UNTIL THE TRANSFORMER IS INSTALLED INTO ITS FINAL POSITION.

THE SUPPORTS MUST THEN BE REMOVED PRIOR TO ENERGIZING THE TRANSFORMER.

CUSTOMER TERMINATION				
STEP DOWN UNIT	STEP UP UNIT	CONNECTION TYPE	HOLE SIZE	HOLE QTY
PRIMARY BUS BARS	SECONDARY BUS BARS	STANDARD BUS BAR (LUGS ARE OPTIONAL)	.56 [14.2] DIA	2 PER BUS BAR
SECONDARY BUS BARS	PRIMARY BUS BARS			4 PER BUS BAR

APPROX TOTAL WEIGHT LBS [KG]
PAINTED: 1727 [783]

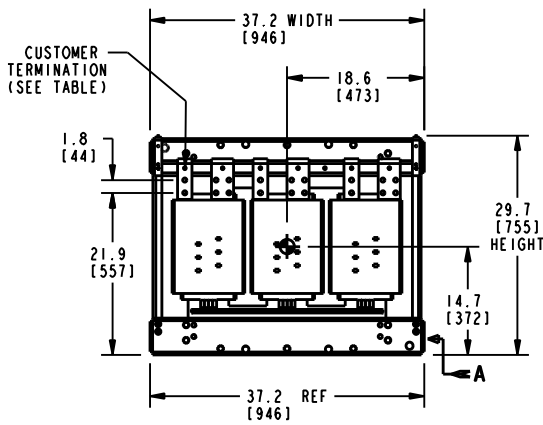
kVA RATING:
K-FACTOR:
PRI VOLTAGE:
SEC VOLTAGE:
FREQ (Hz):
TEMP RISE:
WINDING MATL:
ES SHIELD:
SOUND LVL (dB):

NOTES:

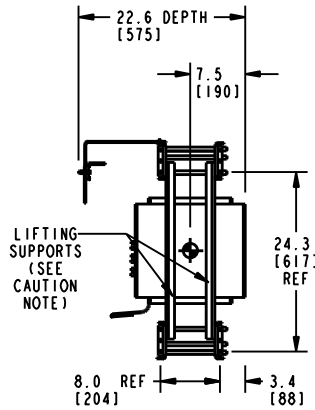
- 1) ALL UNITS ARE UL LISTED AND ARE DESIGNED PER NEMA ST-20 STANDARDS.
- 2) THE TEMPERATURE RISE LISTED IS DETERMINED WHEN THE TRANSFORMER IS MOUNTED IN A STANDARD NEMA 2 ENCLOSURE.
- 3) TRANSFORMER IS DESIGNED FOR FLOOR MOUNTING. OPTIONAL WALL MOUNTING BRACKETS ARE NOT AVAILABLE FOR THIS DESIGN/STYLE.
- 4) TRANSFORMERS ARE DRY TYPE, CLASS AA FOR INDOOR USE.
- 5) FOR MOVING THE UNIT WITH A PALLET JACK OR FORK TRUCK, INSERT FORKS COMPLETELY UNDERNEATH BOTH FRONT AND REAR LIFTING GRILLS. FOR CRANE LIFTING USE 1" [25 MM] DIAMETER HOLES IN THE TOP CORE CLAMPS.
- 6) PAINTED GRILL AND MOUNTING BRACKET COLOR IS ANSI #61 GRAY.
- 7) 6" [152 MM] MINIMUM CLEARANCE IS REQUIRED FROM ALL WALLS.
- 8) ⦿ INDICATES APPROXIMATE CENTER OF GRAVITY.

JOB NAME: SPEEDI PROP: electrification.us.abb.com	UNLESS OTHERWISE SPECIFIED ALL DIMENSIONS ARE INCH [MM]	Transformers by ABB
	THIRD ANGLE PROJECTION 	
CAD DRAWING: 303B112GEDXP77C	SHEET 2 OF 3	CATALOG # _____ REV 2

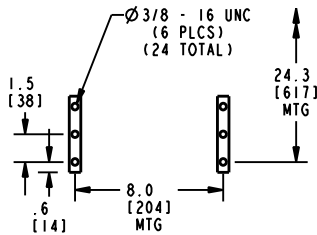
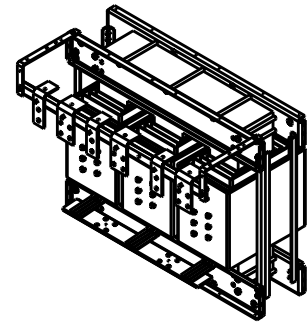
FRONT VIEW



SIDE VIEW



ISOMETRIC VIEW



ENLARGED VIEW IN DIRECTION OF ARROW "A" TYPICAL MOUNTING DETAILS (4 PLACES)

CAUTION:

THE TEMPORARY LIFTING SUPPORTS (PAINTED YELLOW) MUST REMAIN ATTACHED TO THE TRANSFORMER UNTIL THE TRANSFORMER IS INSTALLED INTO ITS FINAL POSITION.

THE SUPPORTS MUST THEN BE REMOVED PRIOR TO ENERGIZING THE TRANSFORMER.


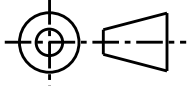
CUSTOMER TERMINATION				
STEP DOWN UNIT	STEP UP UNIT	CONNECTION TYPE	HOLE SIZE	HOLE QTY
PRIMARY BUS BARS	SECONDARY BUS BARS	STANDARD BUS BAR (LUGS ARE OPTIONAL)	.56 [14.2] DIA	2 PER BUS BAR
SECONDARY BUS BARS	PRIMARY BUS BARS			4 PER BUS BAR

APPROX TOTAL WEIGHT LBS [KG]
PAINTED: 1687 [765]

kVA RATING:
K-FACTOR:
PRI VOLTAGE:
SEC VOLTAGE:
FREQ (Hz):
TEMP RISE:
WINDING MATL:
ES SHIELD:
SOUND LVL (dB):

NOTES:

- 1) ALL UNITS ARE UL LISTED AND ARE DESIGNED PER NEMA ST-20 STANDARDS.
- 2) THE TEMPERATURE RISE LISTED IS DETERMINED WHEN THE TRANSFORMER IS MOUNTED IN A STANDARD NEMA 2 ENCLOSURE.
- 3) TRANSFORMER IS DRY TYPE, CLASS AA FOR INDOOR USE.
- 4) FOR MOVING THE UNIT WITH A PALLET JACK OR FORK TRUCK, INSERT FORKS COMPLETELY UNDERNEATH BOTH FRONT AND REAR CORE CLAMPS. FOR CRANE LIFTING USE 1" [25 MM] DIAMETER HOLES IN THE TOP CORE CLAMPS.
- 5) 6" [152 MM] MINIMUM CLEARANCE IS REQUIRED FROM ALL WALLS.
- 6) ⦿ INDICATES APPROXIMATE CENTER OF GRAVITY.

JOB NAME: SPEEDI PROP:	UNLESS OTHERWISE SPECIFIED ALL DIMENSIONS ARE INCH [MM]	 Transformers by ABB	
	THIRD ANGLE PROJECTION 		DRY TYPE TRANSFORMER OUTLINE DRAWING TYPE QL, 3-PHASE, DOE 2016 EFFICIENCY (CORE & COIL UNIT WITHOUT MOUNTING BRACKETS)
electrification.us.abb.com	SHEET 3 OF 3	CATALOG #	REV 2
CAD DRAWING: 303B112GEDXP77C			