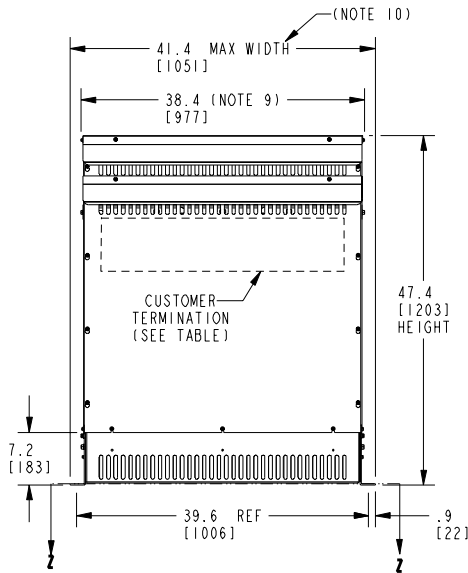
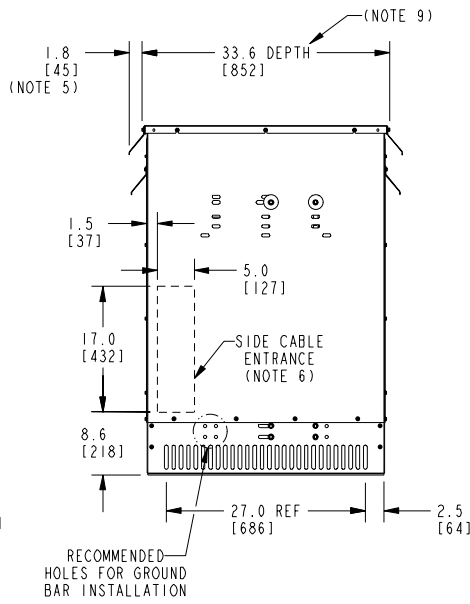


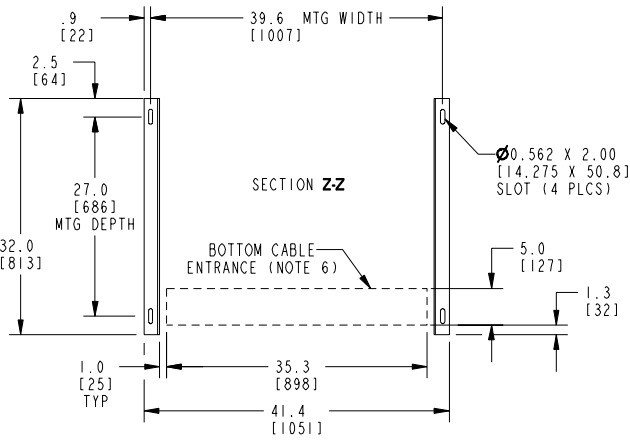
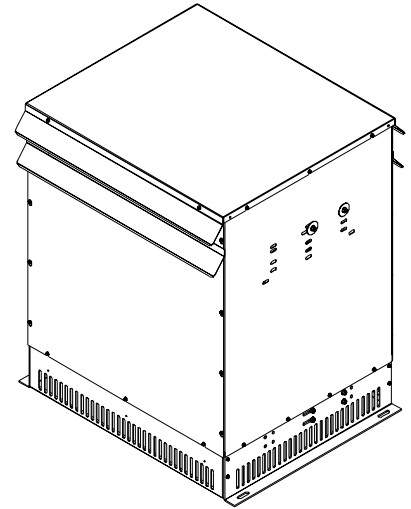
**FRONT VIEW**



**SIDE VIEW**



**ISOMETRIC VIEW**



**BOTTOM VIEW OF MOUNTING AND CABLE ENTRANCE**

CUSTOMER TERMINATION				
STEP DOWN UNIT	STEP UP UNIT	CONNECTION TYPE	HOLE SIZE	HOLE QTY
PRIMARY BUS BARS	SECONDARY BUS BARS	STANDARD BUS BAR (LUGS ARE OPTIONAL)	.56 [14.2] DIA	4 PER BUS BAR
SECONDARY BUS BARS	PRIMARY BUS BARS			4 PER BUS BAR

**APPROX TOTAL WEIGHT LBS [KG]**  
**PAINTED: 1190 [540]**

**kVA RATING:**  
**K-FACTOR:**  
**PRI VOLTAGE:**  
**SEC VOLTAGE:**  
**FREQ (Hz):**  
**TEMP RISE:**  
**WINDING MATL:**  
**ES SHIELD:**  
**SOUND LVL (dB):**

**NOTES:**

- 1) ALL UNITS ARE UL LISTED AND ARE DESIGNED PER NEMA ST-20 STANDARDS.
- 2) THE TEMPERATURE RISE LISTED WAS DETERMINED WHEN THE TRANSFORMER WAS MOUNTED IN A STANDARD NEMA-2 ENCLOSURE.
- 3) TRANSFORMER IS DESIGNED FOR FLOOR MOUNTING. OPTIONAL WALL MOUNTING BRACKETS ARE NOT AVAILABLE FOR THIS DESIGN/STYLE.
- 4) TRANSFORMER IS DRY TYPE, CLASS AA, WITH VENTILATED ENCLOSURE FOR INDOOR USE. OPTIONAL RAINSHIELD KITS ARE AVAILABLE TO ADAPT UNIT FOR TYPE 3R OUTDOOR USE WITHOUT VOIDING THE WARRANTY.
- 5) APPLICABLE WHEN OPTIONAL RAINSHIELDS ARE INSTALLED. RAINSHIELDS ARE SHIPPED IN KITS FOR FIELD INSTALLATION.
- 6) CABLE ENTRANCE IS PERMITTED THROUGH THE LEFT SIDE, RIGHT SIDE AND/OR BOTTOM ENCLOSURE PANELS ONLY. CABLE ENTRANCE IS NOT PERMITTED THROUGH THE FRONT, REAR OR TOP PANELS.
- 7) FOR LIFTING OTHER THAN WITH A FORK TRUCK, REMOVE TOP COVER AND USE 1" [25 MM] DIAMETER HOLES IN THE TOP CORE CLAMPS.
- 8) ENCLOSURE PAINT COLOR IS ANSI #61 GRAY.
- 9) 6" [152 MM] MINIMUM CLEARANCE IS REQUIRED FROM ALL WALLS.
- 10) USE THIS DIMENSION WHEN PLANNING THE MOUNTING PAD.

**JOB NAME:**  
**SPEEDI PROP:**

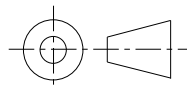
UNLESS OTHERWISE SPECIFIED  
 ALL DIMENSIONS ARE INCH [MM]



**Transformers**

by **ABB**

THIRD ANGLE PROJECTION



**DRY TYPE TRANSFORMER OUTLINE DRAWING**  
**TYPE QL, 3-PHASE, DOE 2016 EFFICIENCY**  
**(ENCLOSED UNIT)**

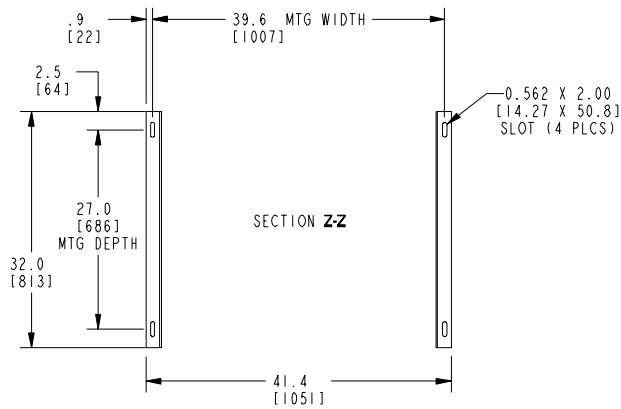
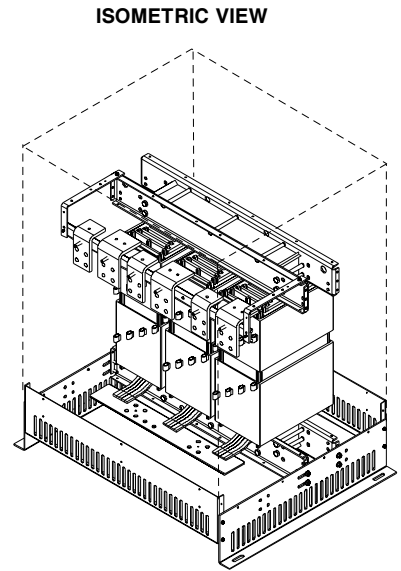
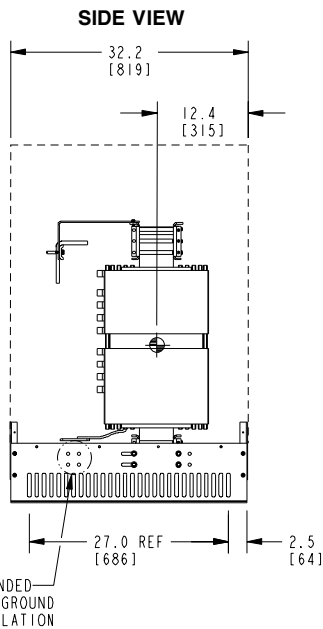
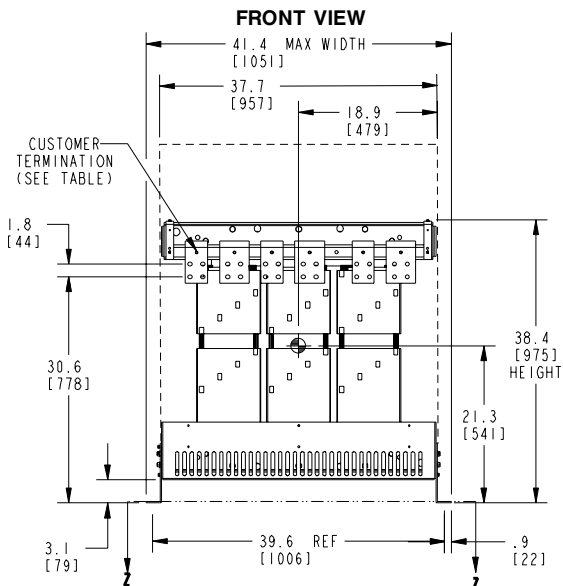
[electrification.us.abb.com](http://electrification.us.abb.com)

**CAD DRAWING: 303B112GEDYP17A**

**SHEET 1 OF 2**

**CATALOG #**

**REV 1**



CUSTOMER TERMINATION				
STEP DOWN UNIT	STEP UP UNIT	CONNECTION TYPE	HOLE SIZE	HOLE QTY
PRIMARY BUS BARS	SECONDARY BUS BARS	STANDARD BUS BAR (LUGS ARE OPTIONAL)	.56 [14.2] DIA	4 PER BUS BAR
SECONDARY BUS BARS	PRIMARY BUS BARS			4 PER BUS BAR

**APPROX TOTAL WEIGHT LBS [KG]**  
**PAINTED: 1072 [486]**

**kVA RATING:**  
**K-FACTOR:**  
**PRI VOLTAGE:**  
**SEC VOLTAGE:**  
**FREQ (Hz):**  
**TEMP RISE:**  
**WINDING MATL:**  
**ES SHIELD:**  
**SOUND LVL (dB):**

**NOTES:**

- 1) ALL UNITS ARE UL LISTED AND ARE DESIGNED PER NEMA ST-20 STANDARDS.
- 2) THE TEMPERATURE RISE LISTED IS DETERMINED WHEN THE TRANSFORMER IS MOUNTED IN A STANDARD NEMA 2 ENCLOSURE.
- 3) TRANSFORMER IS DESIGNED FOR FLOOR MOUNTING. OPTIONAL WALL MOUNTING BRACKETS ARE NOT AVAILABLE FOR THIS DESIGN/STYLE.
- 4) TRANSFORMERS ARE DRY TYPE, CLASS AA FOR INDOOR USE.
- 5) FOR MOVING THE UNIT WITH A PALLET JACK OR FORK TRUCK, INSERT FORKS COMPLETELY UNDERNEATH BOTH FRONT AND REAR LIFTING GRILLS. FOR CRANE LIFTING USE 1" [25 MM] DIAMETER HOLES IN THE TOP CORE CLAMPS.
- 6) PAINTED GRILL AND MOUNTING BRACKET COLOR IS ANSI #61 GRAY.
- 7) 6" [152 MM] MINIMUM CLEARANCE IS REQUIRED FROM ALL WALLS.
- 8) ⊕ INDICATES APPROXIMATE CENTER OF GRAVITY.

<b>JOB NAME:</b> <b>SPEEDI PROP:</b>  <a href="http://electrification.us.abb.com">electrification.us.abb.com</a>	UNLESS OTHERWISE SPECIFIED ALL DIMENSIONS ARE INCH [MM]	<b>Transformers</b> by ABB	<b>DRY TYPE TRANSFORMER OUTLINE DRAWING</b> <b>TYPE QL, 3-PHASE, DOE 2016 EFFICIENCY</b> <b>(VIEW WITHOUT ENCLOSURE PANELS)</b>
	THIRD ANGLE PROJECTION 		
<b>CAD DRAWING: 303B112GEDYP17A</b>	<b>SHEET 2 OF 2</b>		