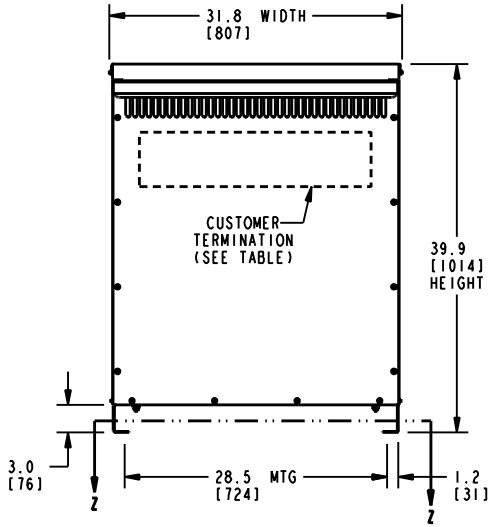
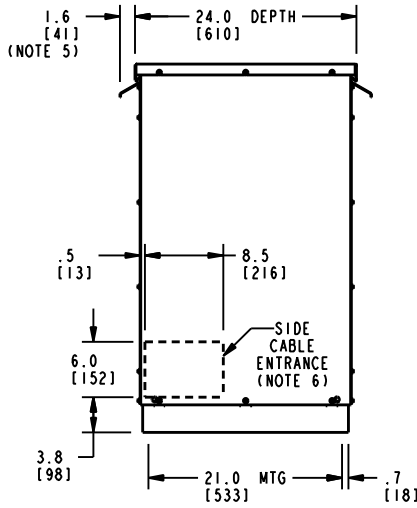


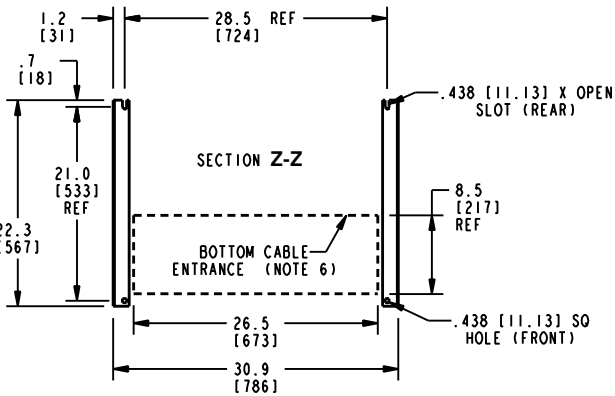
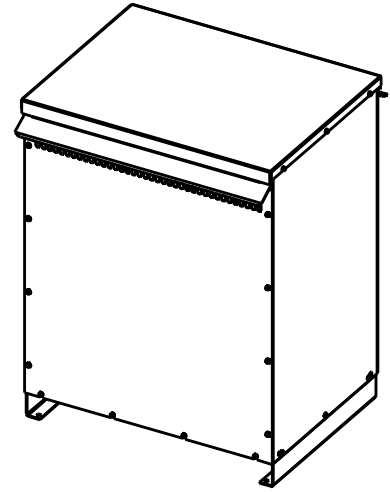
FRONT VIEW



SIDE VIEW



ISOMETRIC VIEW



BOTTOM VIEW OF MOUNTING AND CABLE ENTRANCE

CUSTOMER TERMINATION			
LOCATION	CONNECTION TYPE	HOLE SIZE	HOLE QTY
PRIMARY BUS BARS	STANDARD BUS BAR (LUGS ARE OPTIONAL)	.41 [10.3] DIA	2 PER BUS BAR
SECONDARY BUS BARS			

APPROX TOTAL WEIGHT LBS [KG]  
 AL WINDINGS: 765 [347]  
 CU WINDINGS: 949 [430]

kVA RATING:  
 K-FACTOR:  
 PRI VOLTAGE:  
 SEC VOLTAGE:  
 FREQ (Hz):  
 TEMP RISE:  
 WINDING MATL:  
 ES SHIELD:  
 SOUND LVL (dB):

NOTES:

- 1) ALL UNITS ARE UL LISTED AND ARE DESIGNED PER NEMA ST-20 STANDARDS.
- 2) THE TEMPERATURE RISE LISTED WAS DETERMINED WHEN THE TRANSFORMER WAS MOUNTED IN A STANDARD NEMA-2 ENCLOSURE.
- 3) TRANSFORMER IS DESIGNED FOR FLOOR MOUNTING. OPTIONAL WALL MOUNTING BRACKETS ARE AVAILABLE.
- 4) TRANSFORMER IS DRY TYPE, CLASS AA, WITH VENTILATED ENCLOSURE FOR INDOOR USE. OPTIONAL RAINSHIELD KITS ARE AVAILABLE TO ADAPT UNIT FOR TYPE 3R OUTDOOR USE WITHOUT VOIDING THE WARRANTY.
- 5) APPLICABLE WHEN OPTIONAL RAINSHIELDS ARE INSTALLED. RAINSHIELDS ARE SHIPPED IN KITS FOR FIELD INSTALLATION.
- 6) CABLE ENTRANCE IS PERMITTED THROUGH THE LEFT SIDE, RIGHT SIDE AND/OR BOTTOM ENCLOSURE PANELS ONLY. CABLE ENTRANCE IS NOT PERMITTED THROUGH THE FRONT, REAR OR TOP PANELS.
- 7) FOR LIFTING OTHER THAN WITH A FORK TRUCK, REMOVE TOP COVER AND USE 1" [25 MM] DIAMETER HOLES IN THE TOP CORE CLAMPS.
- 8) ENCLOSURE PAINT COLOR IS ANSI #61 GRAY.
- 9) 6" [152 MM] MINIMUM CLEARANCE IS REQUIRED FROM ALL WALLS.

JOB NAME:

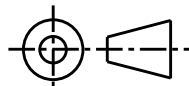
SPEEDI PROP:

electrification.us.abb.com

CAD DRAWING: 303B401AAP075

UNLESS OTHERWISE SPECIFIED ALL DIMENSIONS ARE INCH [MM]

THIRD ANGLE PROJECTION



SHEET 1 OF 2



Transformers

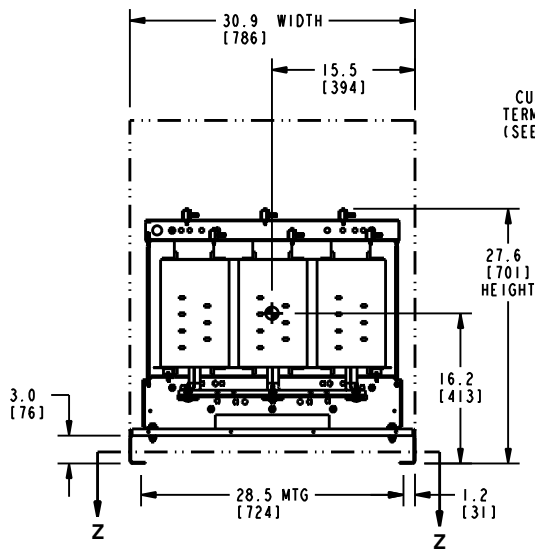
by ABB

DRY TYPE TRANSFORMER OUTLINE DRAWING  
 TYPE QL, 3-PHASE  
 (ENCLOSED UNIT)

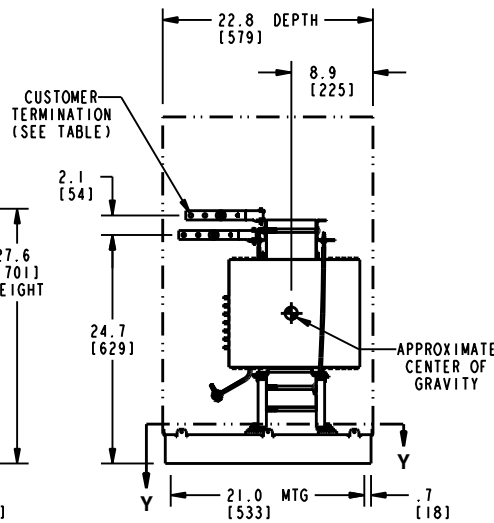
CATALOG #

REV 9

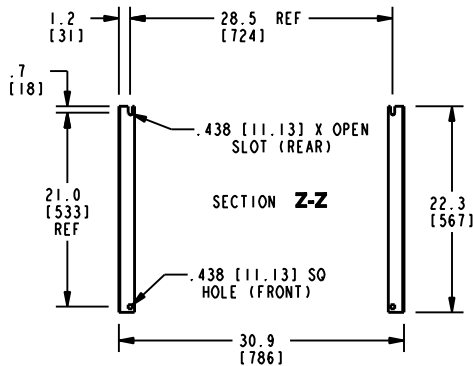
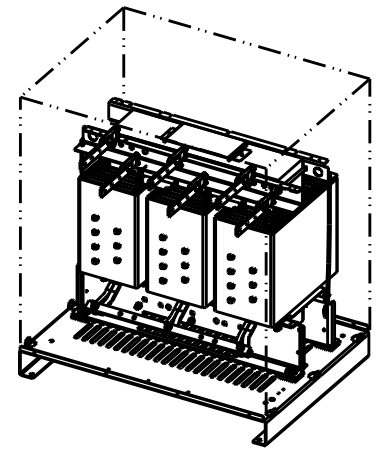
**FRONT VIEW**



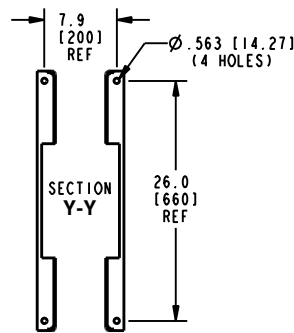
**SIDE VIEW**



**ISOMETRIC VIEW**



**BOTTOM VIEW OF MOUNTING HOLE PATTERN**



**BOTTOM VIEW OF MOUNTING HOLE PATTERN WITHOUT BASE ATTACHED**

**APPROX TOTAL WEIGHT LBS [KG]**  
 AL WINDINGS: 660 [299]  
 CU WINDINGS: 833 [378]

**kVA RATING:**  
**K-FACTOR:**  
**PRI VOLTAGE:**  
**SEC VOLTAGE:**  
**FREQ (Hz):**  
**TEMP RISE:**  
**WINDING MATL:**  
**ES SHIELD:**  
**SOUND LVL (dB):**

CUSTOMER TERMINATION			
LOCATION	CONNECTION TYPE	HOLE SIZE	HOLE QTY
PRIMARY BUS BARS	STANDARD BUS BAR (LUGS ARE OPTIONAL)	.41 [10.3] DIA	2 PER BUS BAR
SECONDARY BUS BARS			

**NOTES:**

- 1) ALL UNITS ARE UL LISTED AND ARE DESIGNED PER NEMA ST-20 STANDARDS.
- 2) THE TEMPERATURE RISE LISTED WAS DETERMINED WHEN THE TRANSFORMER WAS MOUNTED IN A STANDARD NEMA-2 ENCLOSURE.
- 3) TRANSFORMER IS DRY TYPE, CLASS AA FOR INDOOR USE.
- 4) FOR LIFTING OTHER THAN WITH A FORK TRUCK, USE 1" [25 MM] DIAMETER HOLES IN THE TOP CORE CLAMPS.
- 5) BASE PAINT COLOR IS ANSI #61 GRAY.
- 6) 6" [152 MM] MINIMUM CLEARANCE IS REQUIRED FROM ALL WALLS.

**JOB NAME:**

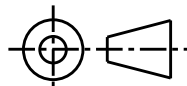
**SPEEDI PROP:**

[electrification.us.abb.com](http://electrification.us.abb.com)

**CAD DRAWING: 303B401AAP075**

UNLESS OTHERWISE SPECIFIED ALL DIMENSIONS ARE INCH [MM]

THIRD ANGLE PROJECTION



**SHEET 2 OF 2**



**Transformers**

by **ABB**

**DRY TYPE TRANSFORMER OUTLINE DRAWING**  
**TYPE QL, 3-PHASE**  
**(CORE & COIL UNIT)**

**CATALOG #**

**REV 9**