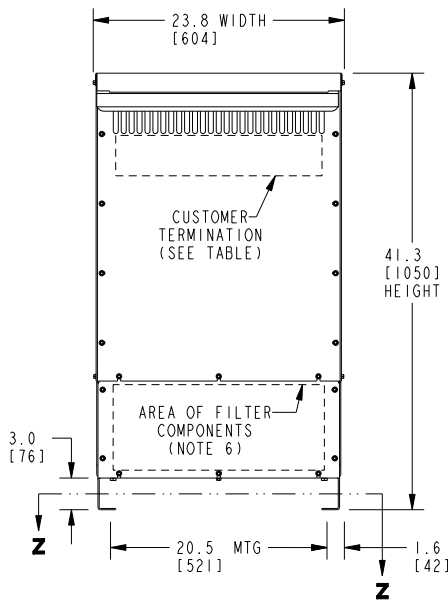
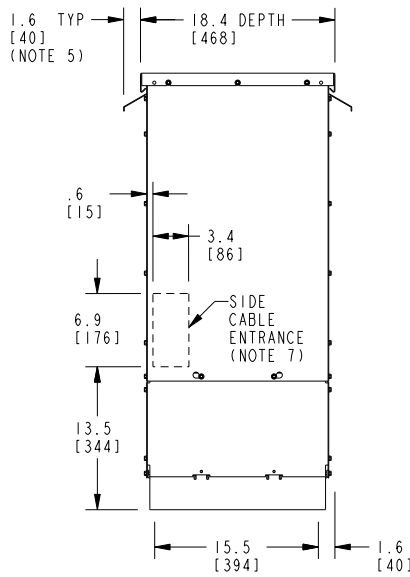


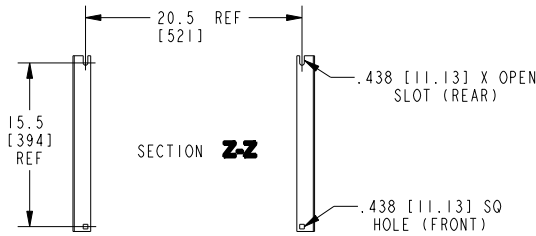
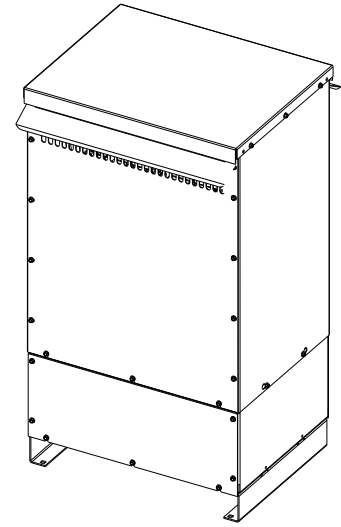
FRONT VIEW



SIDE VIEW



ISOMETRIC VIEW



BOTTOM VIEW OF MOUNTING HOLE PATTERN

| CUSTOMER TERMINATION | | | |
|----------------------|--------------------------------------|----------------|---------------|
| LOCATION | CONNECTION TYPE | HOLE SIZE | HOLE QTY |
| PRIMARY BUS BARS | STANDARD BUS BAR (LUGS ARE OPTIONAL) | .41 [10.3] DIA | 1 PER BUS BAR |
| SECONDARY BUS BARS | | | |

APPROX TOTAL WEIGHT LBS [KG]

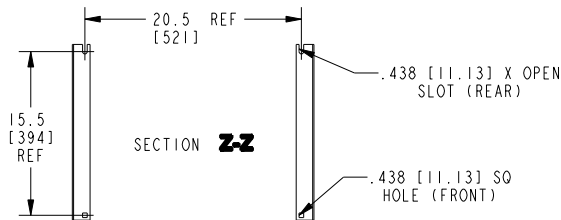
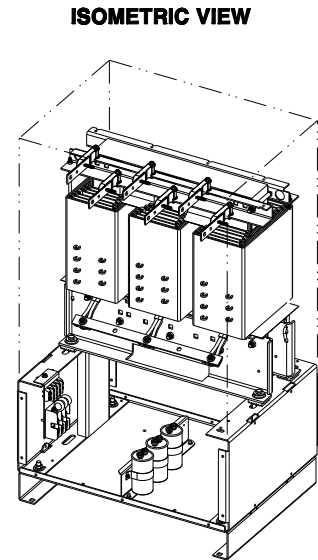
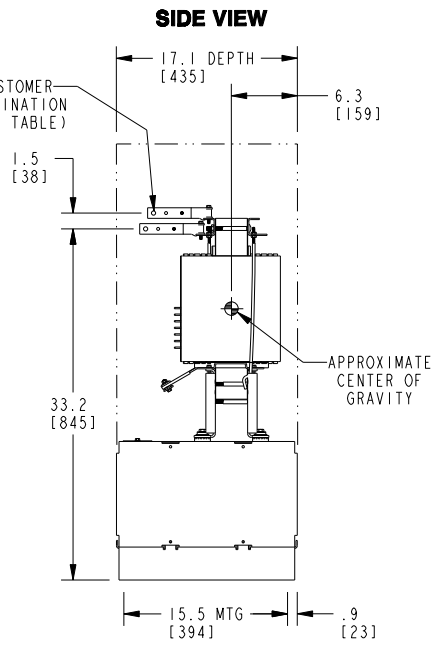
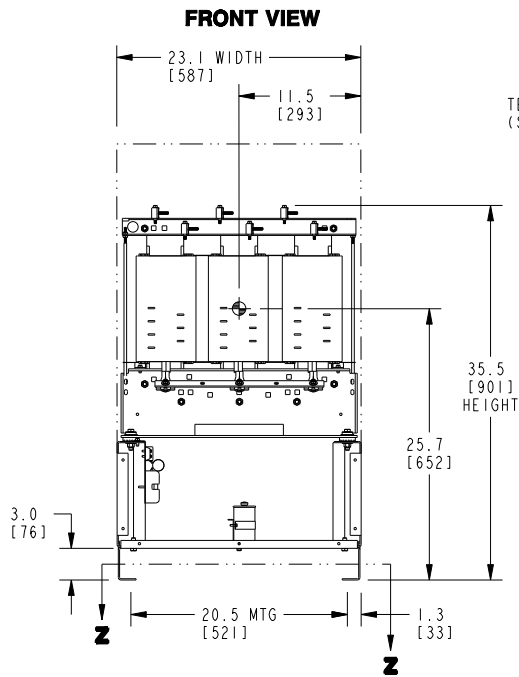
AL WINDINGS: 370 [168]
 CU WINDINGS: 420 [191]

kVA RATING:
 K-FACTOR:
 PRI VOLTAGE:
 SEC VOLTAGE:
 FREQ (Hz):
 TEMP RISE:
 WINDING MATL:
 ES SHIELD:
 SOUND LVL (dB):

NOTES:

- 1) ALL UNITS ARE UL LISTED AND ARE DESIGNED PER NEMA ST-20 STANDARDS.
- 2) THE TEMPERATURE RISE LISTED IS DETERMINED WHEN THE TRANSFORMER IS MOUNTED IN A STANDARD NEMA 2 ENCLOSURE.
- 3) TRANSFORMER IS DESIGNED FOR FLOOR MOUNTING. OPTIONAL WALL MOUNTING BRACKETS ARE AVAILABLE.
- 4) TRANSFORMER IS DRY TYPE, CLASS AA, WITH VENTILATED ENCLOSURE FOR INDOOR USE. OPTIONAL RAINSHIELD KITS ARE AVAILABLE TO ADAPT UNIT FOR TYPE 3R OUTDOOR USE WITHOUT VOIDING THE WARRANTY.
- 5) APPLICABLE WHEN OPTIONAL RAINSHIELDS ARE INSTALLED. RAINSHIELDS ARE SHIPPED IN KITS FOR FIELD INSTALLATION.
- 6) ALL UNITS INCLUDE CAPACITORS, MOVES AND FUSES IN COMBINATION WITH ELECTROSTATIC SHIELDS.
- 7) CABLE ENTRANCE SHOULD BE THROUGH THE SIDE ENCLOSURE PANEL ONLY. CABLE ENTRANCE THROUGH THE BOTTOM IS NOT RECOMMENDED DUE TO THE POSSIBLE INTERFERENCE WITH FILTER COMPONENTS THAT ARE LOCATED IN THE LOWER COMPARTMENT.
- 8) FOR LIFTING OTHER THAN WITH A FORK TRUCK, REMOVE TOP COVER AND USE 1" [25 MM] DIAMETER HOLES IN THE TOP CORE CLAMPS.
- 9) ENCLOSURE PAINT COLOR IS ANSI #61 GRAY.
- 10) 6" [152 MM] MINIMUM CLEARANCE IS REQUIRED FROM ALL WALLS.

| | | | |
|---|--|------------------|------------------|
| JOB NAME: SPEEDI PROP: | UNLESS OTHERWISE SPECIFIED ALL DIMENSIONS ARE INCH [MM] | | GE Energy |
| | THIRD ANGLE PROJECTION | | |
| CAD DRAWING: 303B403AAP072 | SHEET 1 OF 2 | CATALOG # | REV 7 |



BOTTOM VIEW OF MOUNTING HOLE PATTERN

| CUSTOMER TERMINATION | | | |
|----------------------|--------------------------------------|----------------|---------------|
| LOCATION | CONNECTION TYPE | HOLE SIZE | HOLE QTY |
| PRIMARY BUS BARS | STANDARD BUS BAR (LUGS ARE OPTIONAL) | .41 [10.3] DIA | 1 PER BUS BAR |
| SECONDARY BUS BARS | | | |

APPROX TOTAL WEIGHT LBS [KG]

AL WINDINGS: 370 [168]

CU WINDINGS: 420 [191]

kVA RATING:

K-FACTOR:

PRI VOLTAGE:

SEC VOLTAGE:

FREQ (Hz):

TEMP RISE:

WINDING MATL:

ES SHIELD:

SOUND LVL (dB):

NOTES:

- 1) ALL UNITS ARE UL LISTED AND ARE DESIGNED PER NEMA ST-20 STANDARDS.
- 2) THE TEMPERATURE RISE LISTED IS DETERMINED WHEN THE TRANSFORMER IS MOUNTED IN A STANDARD NEMA 2 ENCLOSURE.
- 3) TRANSFORMER IS DESIGNED FOR FLOOR MOUNTING. OPTIONAL WALL MOUNTING BRACKETS ARE AVAILABLE.
- 4) TRANSFORMER IS DRY TYPE, CLASS AA, WITH VENTILATED ENCLOSURE FOR INDOOR USE. OPTIONAL RAINSHIELD KITS ARE AVAILABLE TO ADAPT UNIT FOR TYPE 3R OUTDOOR USE WITHOUT VOIDING THE WARRANTY.
- 5) ALL UNITS INCLUDE CAPACITORS, MOV'S AND FUSES IN COMBINATION WITH ELECTROSTATIC SHIELDS.
- 6) CABLE ENTRANCE SHOULD BE THROUGH THE SIDE ENCLOSURE PANEL ONLY. CABLE ENTRANCE THROUGH THE BOTTOM IS NOT RECOMMENDED DUE TO THE POSSIBLE INTERFERENCE WITH FILTER COMPONENTS THAT ARE LOCATED IN THE LOWER COMPARTMENT.
- 7) FOR LIFTING OTHER THAN WITH A FORK TRUCK, REMOVE TOP COVER AND USE 1" [25 MM] DIAMETER HOLES IN THE TOP CORE CLAMPS.
- 8) ENCLOSURE PAINT COLOR IS ANSI #61 GRAY.
- 9) 6" [152 MM] MINIMUM CLEARANCE IS REQUIRED FROM ALL WALLS.

JOB NAME:

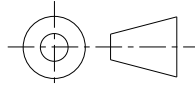
SPEEDI PROP:

UNLESS OTHERWISE SPECIFIED
ALL DIMENSIONS ARE INCH [MM]



GE Energy

THIRD ANGLE PROJECTION



**DRY TYPE TRANSFORMER OUTLINE DRAWING
TYPE QL, GUARD-II, 3-PHASE
(VIEWS WITHOUT ENCLOSURE PANELS)**

CAD DRAWING: 303B403AAP072

SHEET 2 OF 2

CATALOG #

REV 7