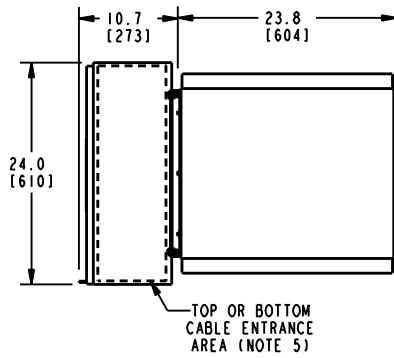
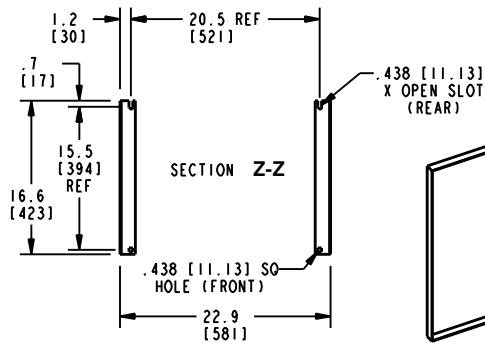


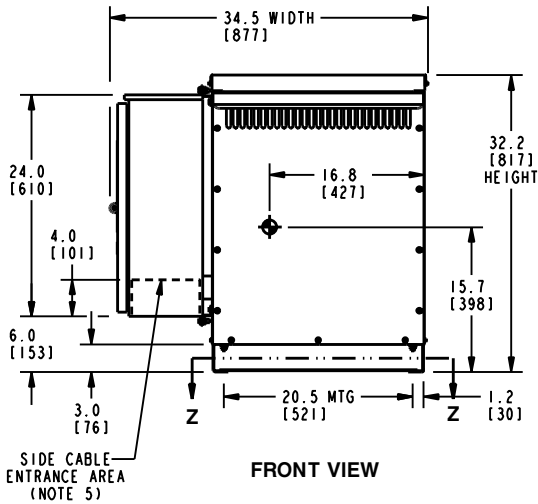
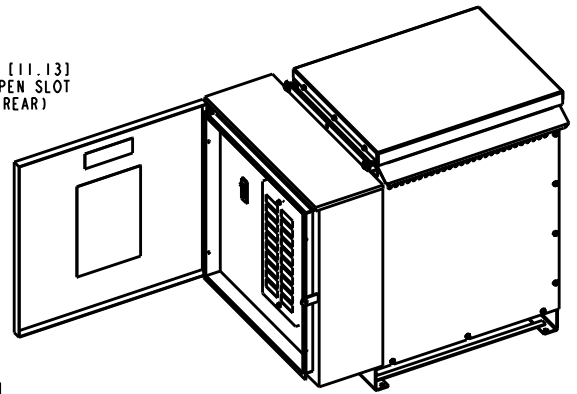
TOP VIEW



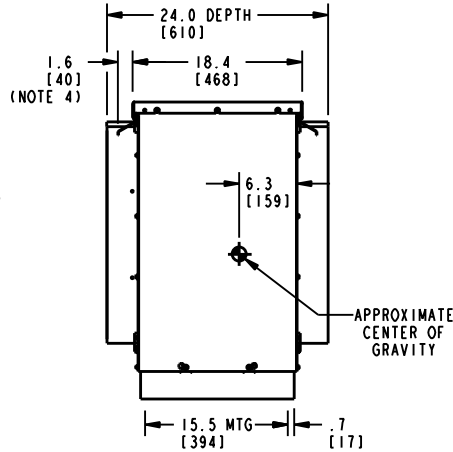
BOTTOM VIEW OF MOUNTING HOLE PATTERN



ISOMETRIC VIEW



FRONT VIEW



SIDE VIEW

CUSTOMER TERMINATION			
LOCATION	CONNECTION TYPE	HOLE SIZE	HOLE QTY
PRIMARY BUS BARS	STANDARD BUS BAR (LUGS ARE OPTIONAL)	.41 [10.3] DIA	1 PER BUS BAR
SECONDARY BUS BARS			

APPROX TOTAL WEIGHT LBS [KG]
 AL WINDINGS: 450 [204]
 CU WINDINGS: 460 [209]

kVA RATING:
 K-FACTOR:
 PRI VOLTAGE:
 SEC VOLTAGE:
 FREQ (Hz):
 TEMP RISE:
 WINDING MATL:
 ES SHIELD:
 SOUND LVL (dB):

NOTES:

- 1) ALL UNITS ARE UL LISTED AND ARE DESIGNED PER NEMA ST-20 STANDARDS.
- 2) TRANSFORMER IS DESIGNED FOR FLOOR MOUNTING. OPTIONAL WALL MOUNTING BRACKETS ARE NOT AVAILABLE FOR THIS DESIGN/STYLE.
- 3) TRANSFORMER IS DRY TYPE, CLASS AA, WITH VENTILATED ENCLOSURE FOR INDOOR USE. OPTIONAL RAINSHIELD KITS ARE INCLUDED TO CONVERT UNIT TO TYPE 3R OUTDOOR USE WITHOUT VOIDING THE WARRANTY.
- 4) APPLICABLE WHEN OPTIONAL RAINSHIELDS ARE INSTALLED. RAINSHIELDS ARE SHIPPED IN KITS FOR FIELD INSTALLATION.
- 5) CABLE ENTRANCE IS PERMITTED THROUGH THE TOP OR BOTTOM OF THE BREAKER BOX OR UP TO 4" [102 MM] FROM THE BOTTOM OF EITHER SIDE OF THE BOX ONLY. CABLE ENTRANCE IS NOT PERMITTED THROUGH THE FRONT OR REAR OF BREAKER BOX.
- 6) FOR LIFTING OTHER THAN WITH A FORK TRUCK, REMOVE TOP COVER AND USE 1" [25 MM] DIAMETER HOLES IN THE TOP CORE CLAMPS.
- 7) ENCLOSURE PAINT COLOR IS ANSI #61 GRAY.
- 8) 6" [152 MM] MINIMUM CLEARANCE IS REQUIRED FROM ALL WALLS.
- 9) CUSTOMER CABLE MUST BE RATED 75 °C OR HIGHER AND MAY BE EITHER COPPER OR ALUMINUM.

JOB NAME: SPEEDI PROP:	UNLESS OTHERWISE SPECIFIED ALL DIMENSIONS ARE INCH [MM]	Transformers	— by ABB
	THIRD ANGLE PROJECTION 	DRY TYPE TRANSFORMER OUTLINE DRAWING TYPE QL, SERVICENTER, 3-PHASE (ENCLOSED UNIT)	
electrification.us.abb.com	SHEET 1 OF 1	CATALOG #	REV 7
CAD DRAWING: 303B404AAP022			