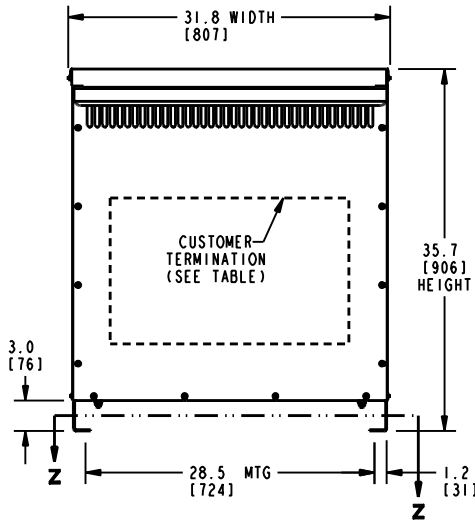
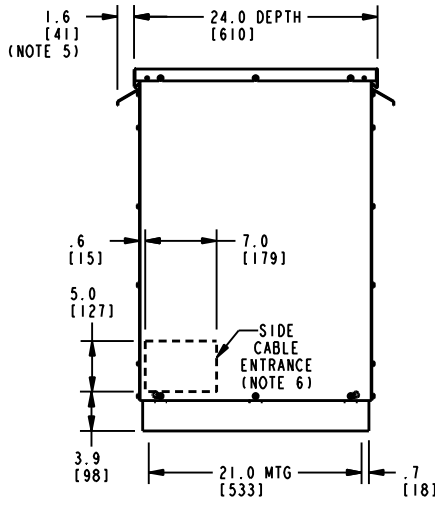


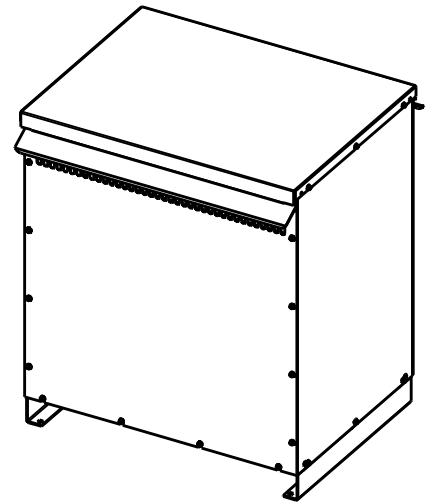
**FRONT VIEW**



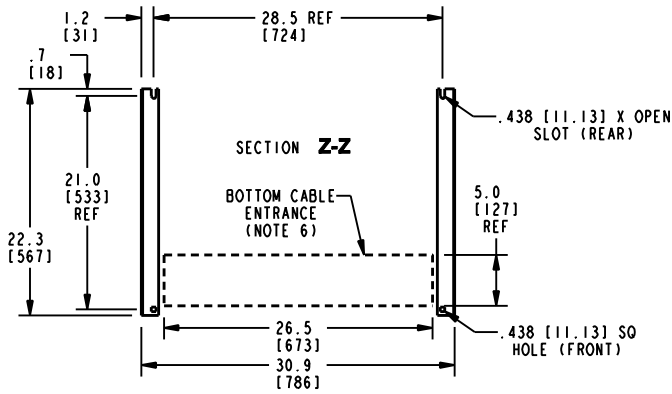
**SIDE VIEW**



**ISOMETRIC VIEW**



**SECTION Z-Z**



**BOTTOM VIEW OF MOUNTING AND CABLE ENTRANCE**

CUSTOMER TERMINATION			
LOCATION	CONNECTION TYPE	HOLE SIZE	HOLE QTY
PRIMARY BUS BARS	STANDARD BUS BAR (LUGS ARE OPTIONAL)	.41 [10.3] DIA	2 PER BUS BAR
SECONDARY BUS BARS			

**APPROX TOTAL WEIGHT LBS [KG]**

AL WINDINGS: 400 [181]

CU WINDINGS: 500 [227]

kVA RATING:  
 K-FACTOR:  
 PRI VOLTAGE:  
 SEC VOLTAGE:  
 FREQ (Hz):  
 TEMP RISE:  
 WINDING MATL:  
 ES SHIELD:  
 SOUND LVL (dB):

**NOTES:**

- 1) ALL UNITS ARE UL LISTED AND ARE DESIGNED PER NEMA ST-20 STANDARDS.
- 2) THE TEMPERATURE RISE LISTED IS DETERMINED WHEN THE TRANSFORMER IS MOUNTED IN A STANDARD NEMA 2 ENCLOSURE.
- 3) TRANSFORMER IS DESIGNED FOR FLOOR MOUNTING. OPTIONAL WALL MOUNTING BRACKETS ARE AVAILABLE.
- 4) TRANSFORMER IS DRY TYPE, CLASS AA, WITH VENTILATED ENCLOSURE FOR INDOOR USE. OPTIONAL RAINSHIELD KITS ARE AVAILABLE TO ADAPT UNIT FOR TYPE 3R OUTDOOR USE WITHOUT VOIDING THE WARRANTY.
- 5) APPLICABLE WHEN OPTIONAL RAINSHIELDS ARE INSTALLED. RAINSHIELDS ARE SHIPPED IN KITS FOR FIELD INSTALLATION.
- 6) CABLE ENTRANCE IS PERMITTED THROUGH THE LEFT SIDE, RIGHT SIDE AND/OR BOTTOM ENCLOSURE PANELS ONLY. CABLE ENTRANCE IS NOT PERMITTED THROUGH THE FRONT, REAR OR TOP PANELS.
- 7) FOR LIFTING OTHER THAN WITH A FORK TRUCK, REMOVE TOP COVER AND USE 1" [25 MM] DIAMETER HOLES IN THE TOP CORE CLAMPS.
- 8) ENCLOSURE PAINT COLOR IS ANSI #61 GRAY.
- 9) 6" [152 MM] MINIMUM CLEARANCE IS REQUIRED FROM ALL WALLS.

**JOB NAME:**

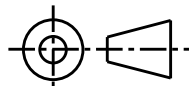
**SPEEDI PROP:**

[electrification.us.abb.com](http://electrification.us.abb.com)

**CAD DRAWING: 303B406AAP072**

UNLESS OTHERWISE SPECIFIED  
 ALL DIMENSIONS ARE INCH [MM]

THIRD ANGLE PROJECTION



**SHEET 1 OF 2**



**Transformers**

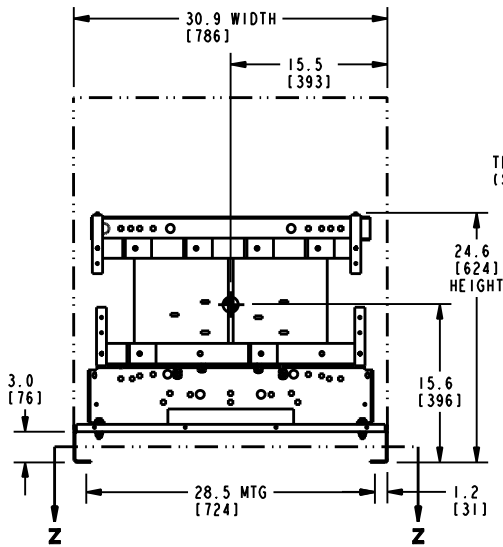
by **ABB**

**DRY TYPE TRANSFORMER OUTLINE DRAWING  
 TYPE QL, 1-PHASE, DOE 2016 EFFICIENCY  
 (ENCLOSED UNIT)**

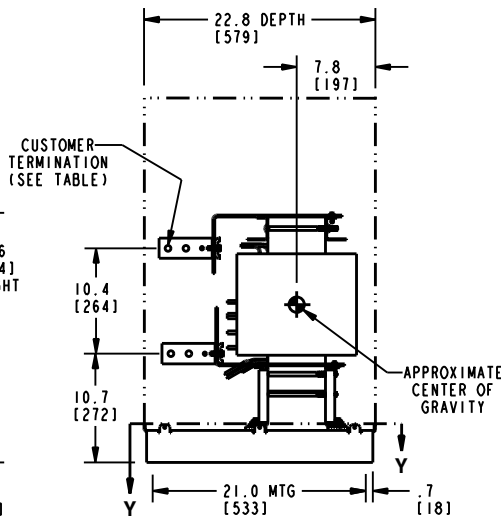
**CATALOG #**

**REV 11**

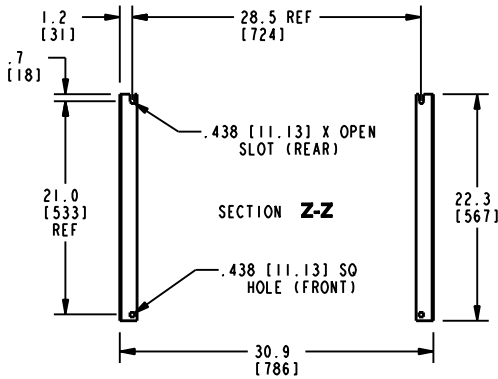
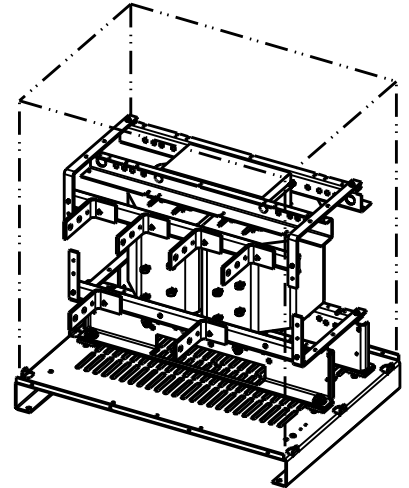
**FRONT VIEW**



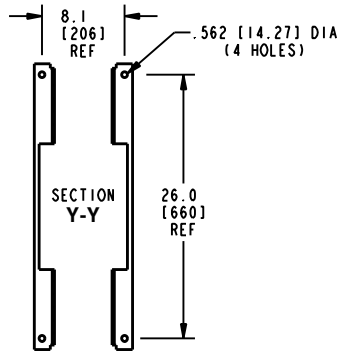
**SIDE VIEW**



**ISOMETRIC VIEW**



**BOTTOM VIEW OF MOUNTING HOLE PATTERN**



**BOTTOM VIEW OF MOUNTING HOLE PATTERN WITHOUT BASE ATTACHED**

CUSTOMER TERMINATION			
LOCATION	CONNECTION TYPE	HOLE SIZE	HOLE QTY
PRIMARY BUS BARS	STANDARD BUS BAR (LUGS ARE OPTIONAL)	.41 [10.3] DIA	2 PER BUS BAR
SECONDARY BUS BARS			

**APPROX TOTAL WEIGHT LBS [KG]**  
 AL WINDINGS: 360 [163]  
 CU WINDINGS: 460 [209]

**kVA RATING:**  
**K-FACTOR:**  
**PRI VOLTAGE:**  
**SEC VOLTAGE:**  
**FREQ (Hz):**  
**TEMP RISE:**  
**WINDING MATL:**  
**ES SHIELD:**  
**SOUND LVL (dB):**

**NOTES:**

- 1) ALL UNITS ARE UL LISTED AND ARE DESIGNED PER NEMA ST-20 STANDARDS.
- 2) THE TEMPERATURE RISE LISTED IS DETERMINED WHEN THE TRANSFORMER IS MOUNTED IN A STANDARD NEMA 2 ENCLOSURE.
- 3) TRANSFORMER IS DRY TYPE, CLASS AA FOR INDOOR USE.
- 4) FOR LIFTING OTHER THAN WITH A FORK TRUCK, USE 1" [25 MM] DIAMETER HOLES IN THE TOP CORE CLAMPS.
- 5) BASE PAINT COLOR IS ANSI #61 GRAY.
- 6) 6" [152 MM] MINIMUM CLEARANCE IS REQUIRED FROM ALL WALLS.

<b>JOB NAME:</b>  <b>SPEEDI PROP:</b>  electrification.us.abb.com	UNLESS OTHERWISE SPECIFIED ALL DIMENSIONS ARE INCH [MM]	<b>Transformers</b> by ABB
	THIRD ANGLE PROJECTION 	
CAD DRAWING: 303B406AAP072	SHEET 2 OF 2	CATALOG # _____ REV <b>11</b>