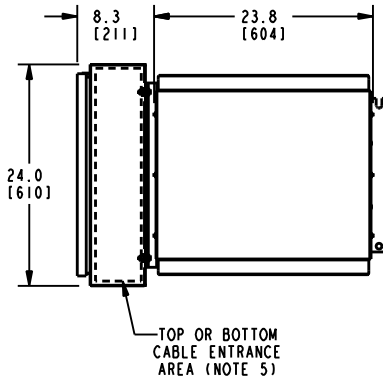
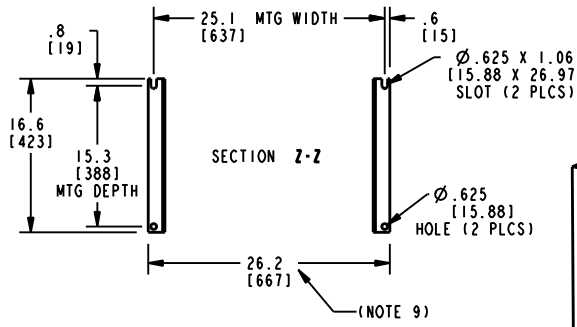


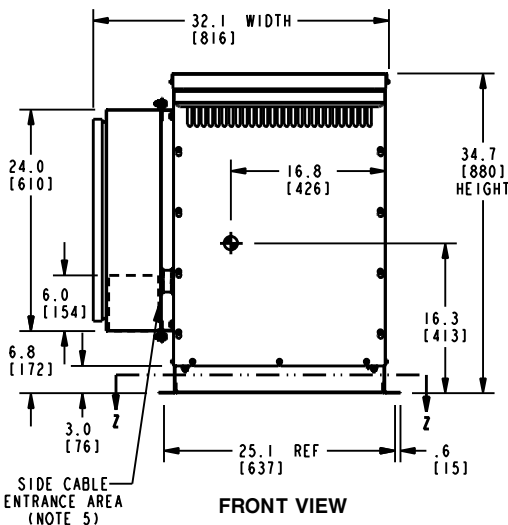
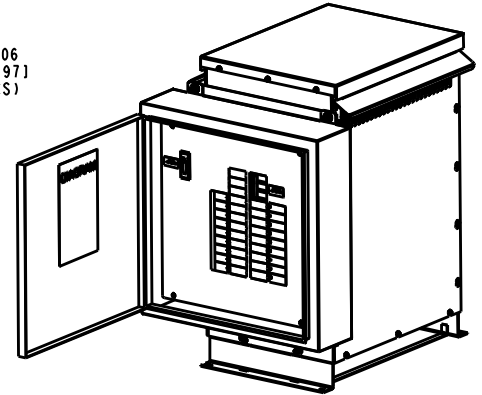
TOP VIEW



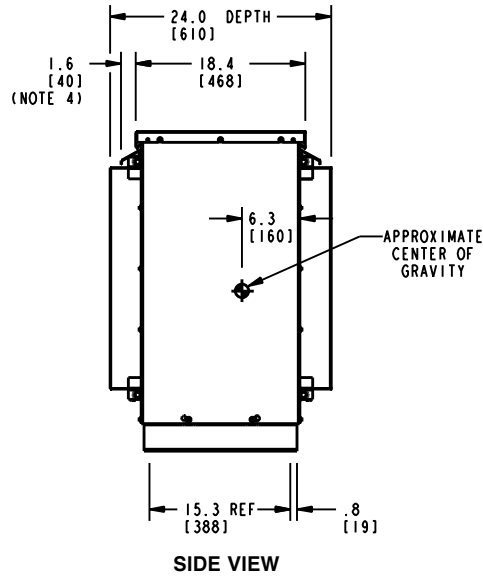
BOTTOM VIEW OF MOUNTING HOLE PATTERN



ISOMETRIC VIEW



FRONT VIEW




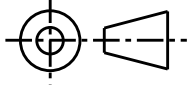
SIDE VIEW

APPROX TOTAL WEIGHT LBS [KG]  
 STAINLESS STEEL (AL): 443 [201]  
 STAINLESS STEEL (CU): 496 [211]

kVA RATING:  
 K-FACTOR:  
 PRI VOLTAGE:  
 SEC VOLTAGE:  
 FREQ (Hz):  
 TEMP RISE:  
 WINDING MATL:  
 ES SHIELD:  
 SOUND LVL (dB):

NOTES:

- 1) ALL UNITS ARE UL LISTED AND ARE DESIGNED PER NEMA ST-20 STANDARDS.
- 2) TRANSFORMER IS DESIGNED FOR FLOOR MOUNTING. OPTIONAL WALL MOUNTING BRACKETS ARE NOT AVAILABLE FOR THIS DESIGN/STYLE.
- 3) TRANSFORMER IS DRY TYPE, CLASS AA, WITH VENTILATED ENCLOSURE FOR INDOOR USE. OPTIONAL RAINSHIELD KITS ARE INCLUDED TO CONVERT UNIT TO TYPE 3R OUTDOOR USE WITHOUT VOIDING THE WARRANTY.
- 4) APPLICABLE WHEN OPTIONAL RAINSHIELDS ARE INSTALLED. RAINSHIELDS ARE SHIPPED IN KITS FOR FIELD INSTALLATION.
- 5) CABLE ENTRANCE IS PERMITTED THROUGH THE TOP OR BOTTOM OF THE BREAKER BOX OR UP TO 4" [102 MM] FROM THE BOTTOM OF EITHER SIDE OF THE BOX ONLY. CABLE ENTRANCE IS NOT PERMITTED THROUGH THE FRONT OR REAR OF BREAKER BOX.
- 6) FOR LIFTING OTHER THAN WITH A FORK TRUCK, REMOVE TOP COVER AND USE 1" [25 MM] DIAMETER HOLES IN THE TOP CORE CLAMPS.
- 7) ENCLOSURE STAINLESS STEEL 316, FINISH 80 GRIT.
- 8) 6" [152 MM] MINIMUM CLEARANCE IS REQUIRED FROM ALL WALLS.
- 9) USE THIS DIMENSION WHEN PLANNING THE MOUNTING PAD.
- 10) CUSTOMER CABLE MUST BE RATED 75 °C OR HIGHER AND MAY BE EITHER COPPER OR ALUMINUM.

JOB NAME: SPEEDI PROP:	UNLESS OTHERWISE SPECIFIED ALL DIMENSIONS ARE INCH [MM]	 <b>Transformers</b> by ABB	
	THIRD ANGLE PROJECTION 		<b>DRY TYPE TRANSFORMER OUTLINE DRAWING</b> TYPE QL, SERVICENTER, 3-PHASE, DOE 2016 EFFICIENCY (STAINLESS STEEL ENCLOSED UNIT)
electrification.us.abb.com	SHEET 1 OF 1	CATALOG #	REV <b>2</b>
CAD DRAWING: 303B424SSP022			