

BOTTOM VIEW OF MOUNTING HOLE PATTERN

CUSTOMER TERMINATION			
LOCATION	CONNECTION TYPE	HOLE SIZE	HOLE QTY
PRIMARY BUS BARS	STANDARD BUS BAR (LUGS ARE OPTIONAL)	.41 [10.3] DIA	1 PER BUS BAR
SECONDARY BUS BARS			

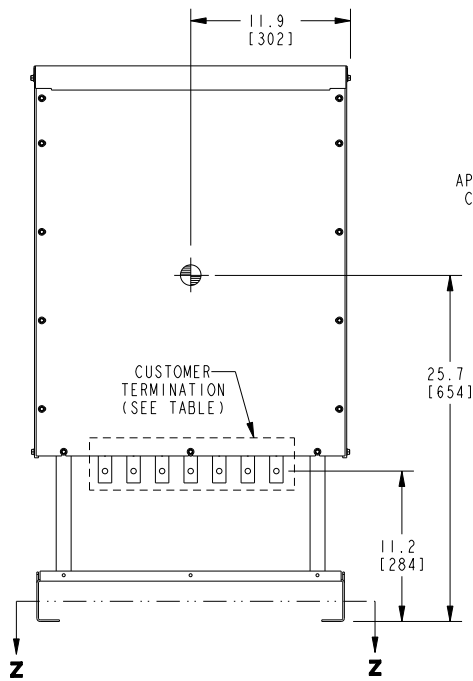
APPROX TOTAL WEIGHT LBS [KG]
 AL WINDINGS: 350 [159]
 CU WINDINGS: 390 [177]

kVA RATING:
K-FACTOR:
PRI VOLTAGE:
SEC VOLTAGE:
FREQ (Hz):
TEMP RISE:
WINDING MATL:
ES SHIELD:
SOUND LVL (dB):

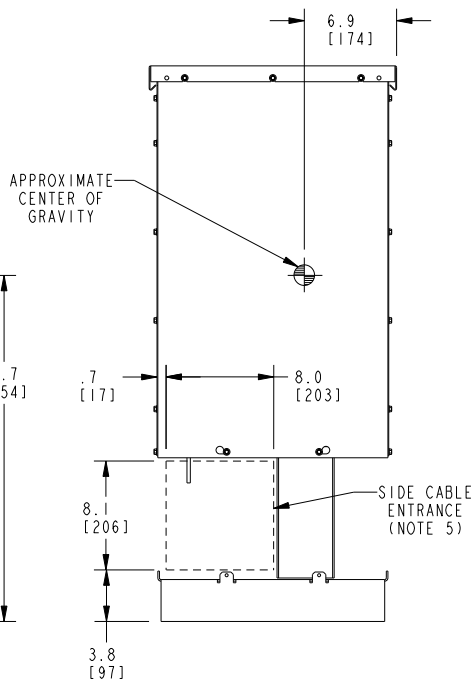
- NOTES:**
- 1) ALL UNITS ARE UL LISTED AND ARE DESIGNED PER NEMA ST-20 STANDARDS.
 - 2) TRANSFORMER IS DESIGNED FOR FLOOR MOUNTING. OPTIONAL WALL MOUNTING BRACKETS ARE NOT AVAILABLE FOR THIS DESIGN/STYLE.
 - 3) TRANSFORMER IS DRY TYPE, CLASS AA, WITH NON-VENTILATED ENCLOSURES FOR INDOOR OR TYPE 3R OUTDOOR USE.
 - 4) CABLE ENTRANCE IS PERMITTED THROUGH THE LEFT SIDE, RIGHT SIDE AND/OR BOTTOM ENCLOSURE PANELS ONLY. CABLE ENTRANCE IS NOT PERMITTED THROUGH THE FRONT, REAR OR TOP PANELS.
 - 5) FOR LIFTING OTHER THAN WITH A FORK TRUCK, REMOVE TOP COVER AND USE 1" [25 MM] DIAMETER HOLES IN THE TOP CORE CLAMPS.
 - 6) ENCLOSURE PAINT COLOR IS ANSI #61 GRAY.
 - 7) 6" [152 MM] MINIMUM CLEARANCE IS REQUIRED FROM ALL WALLS.

JOB NAME: SPEEDI PROP:	UNLESS OTHERWISE SPECIFIED ALL DIMENSIONS ARE INCH [MM]	GE Energy	DRY TYPE TRANSFORMER OUTLINE DRAWING TYPE QL, ULTRA-EE, TENV, 3-PHASE (ENCLOSED UNIT)	
	THIRD ANGLE PROJECTION 			
CAD DRAWING: 303B425AAP072	SHEET 1 OF 2			

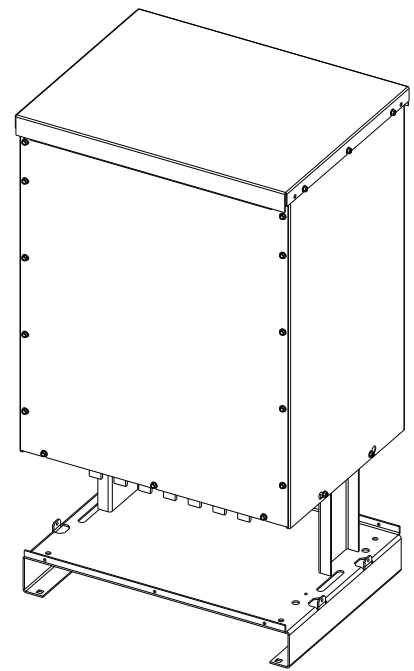
FRONT VIEW



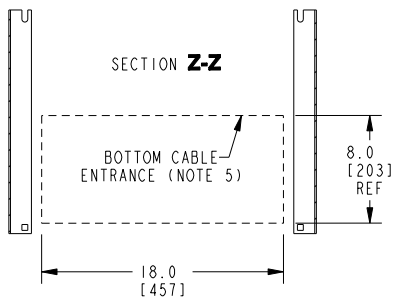
SIDE VIEW



ISOMETRIC VIEW



SECTION Z-Z



BOTTOM VIEW OF CABLE ENTRANCE

APPROX TOTAL WEIGHT LBS [KG]

AL WINDINGS: 350 [159]

CU WINDINGS: 390 [177]

CUSTOMER TERMINATION

LOCATION	CONNECTION TYPE	HOLE SIZE	HOLE QTY
PRIMARY BUS BARS	STANDARD BUS BAR (LUGS ARE OPTIONAL)	.41 [10.3] DIA	1 PER BUS BAR
SECONDARY BUS BARS			

NOTES:

- 1) ALL UNITS ARE UL LISTED AND ARE DESIGNED PER NEMA ST-20 STANDARDS.
- 2) TRANSFORMER IS DESIGNED FOR FLOOR MOUNTING. OPTIONAL WALL MOUNTING BRACKETS ARE NOT AVAILABLE FOR THIS DESIGN/STYLE.
- 3) TRANSFORMER IS DRY TYPE, CLASS AA, WITH NON-VENTILATED ENCLOSURES FOR INDOOR OR TYPE 3R OUTDOOR USE.
- 4) CABLE ENTRANCE IS PERMITTED THROUGH THE LEFT SIDE, RIGHT SIDE AND/OR BOTTOM ENCLOSURE PANELS ONLY. CABLE ENTRANCE IS NOT PERMITTED THROUGH THE FRONT, REAR OR TOP PANELS.
- 5) FOR LIFTING OTHER THAN WITH A FORK TRUCK, REMOVE TOP COVER AND USE 1" [25 MM] DIAMETER HOLES IN THE TOP CORE CLAMPS.
- 6) ENCLOSURE PAINT COLOR IS ANSI #61 GRAY.
- 7) 6" [152 MM] MINIMUM CLEARANCE IS REQUIRED FROM ALL WALLS.

kVA RATING:

K-FACTOR:

PRI VOLTAGE:

SEC VOLTAGE:

FREQ (Hz):

TEMP RISE:

WINDING MATL:

ES SHIELD:

SOUND LVL (dB):

JOB NAME:

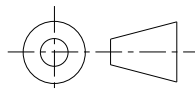
SPEEDI PROP:

UNLESS OTHERWISE SPECIFIED ALL DIMENSIONS ARE INCH [MM]



GE Energy

THIRD ANGLE PROJECTION



**DRY TYPE TRANSFORMER OUTLINE DRAWING
TYPE QL, ULTRA-EE, TENV, 3-PHASE
(VIEWS WITHOUT LOWER ENCLOSURE PANELS)**

CAD DRAWING: 303B425AAP072

SHEET 2 OF 2

CATALOG #

REV 3