

**BOTTOM VIEW OF MOUNTING HOLE PATTERN**

CUSTOMER TERMINATION			
LOCATION	CONNECTION TYPE	HOLE SIZE	HOLE QTY
PRIMARY BUS BARS	STANDARD BUS BAR (LUGS ARE OPTIONAL)	.41 [10.3] DIA	1 PER BUS BAR
SECONDARY BUS BARS			

**APPROX TOTAL WEIGHT LBS [KG]**  
**AL WINDINGS: 650 [295]**  
**CU WINDINGS: 740 [336]**

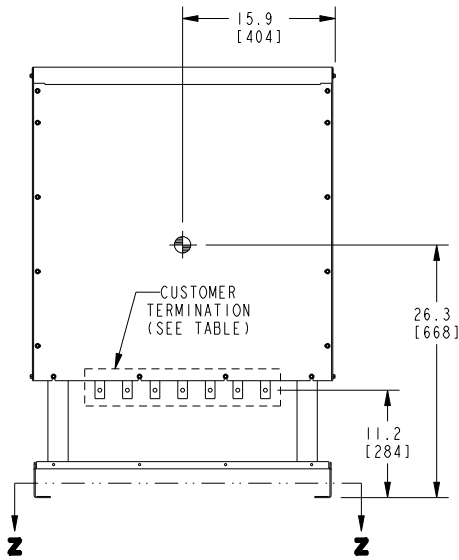
**kVA RATING:**  
**K-FACTOR:**  
**PRI VOLTAGE:**  
**SEC VOLTAGE:**  
**FREQ (Hz):**  
**TEMP RISE:**  
**WINDING MATL:**  
**ES SHIELD:**  
**SOUND LVL (dB):**

**NOTES:**

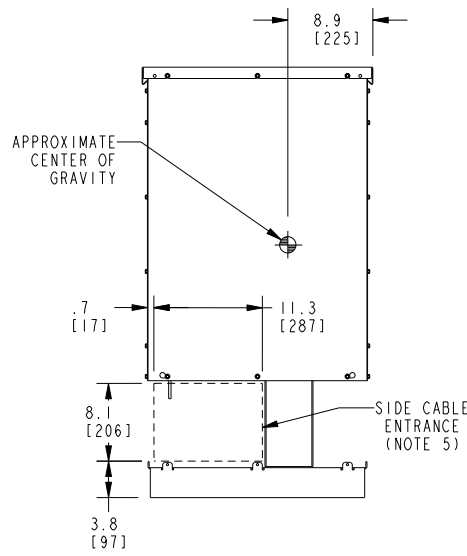
- 1) ALL UNITS ARE UL LISTED AND ARE DESIGNED PER NEMA ST-20 STANDARDS.
- 2) TRANSFORMER IS DESIGNED FOR FLOOR MOUNTING. OPTIONAL WALL MOUNTING BRACKETS ARE NOT AVAILABLE FOR THIS DESIGN/STYLE.
- 3) TRANSFORMER IS DRY TYPE, CLASS AA, WITH NON-VENTILATED ENCLOSURES FOR INDOOR OR TYPE 3R OUTDOOR USE.
- 4) CABLE ENTRANCE IS PERMITTED THROUGH THE LEFT SIDE, RIGHT SIDE AND/OR BOTTOM ENCLOSURE PANELS ONLY. CABLE ENTRANCE IS NOT PERMITTED THROUGH THE FRONT, REAR OR TOP PANELS.
- 5) FOR LIFTING OTHER THAN WITH A FORK TRUCK, REMOVE TOP COVER AND USE 1" [25 MM] DIAMETER HOLES IN THE TOP CORE CLAMPS.
- 6) ENCLOSURE PAINT COLOR IS ANSI #61 GRAY.
- 7) 6" [152 MM] MINIMUM CLEARANCE IS REQUIRED FROM ALL WALLS.

<b>JOB NAME:</b> <b>SPEEDI PROP:</b>	<b>UNLESS OTHERWISE SPECIFIED ALL DIMENSIONS ARE INCH [MM]</b>		<b>GE Energy</b>  <b>DRY TYPE TRANSFORMER OUTLINE DRAWING</b> <b>TYPE QL, ULTRA-EE, TENV, 3-PHASE</b> <b>(ENCLOSED UNIT)</b>
	<b>THIRD ANGLE PROJECTION</b> 		
<b>CAD DRAWING: 303B425AAP074</b>	<b>SHEET 1 OF 2</b>		<b>REV 3</b>

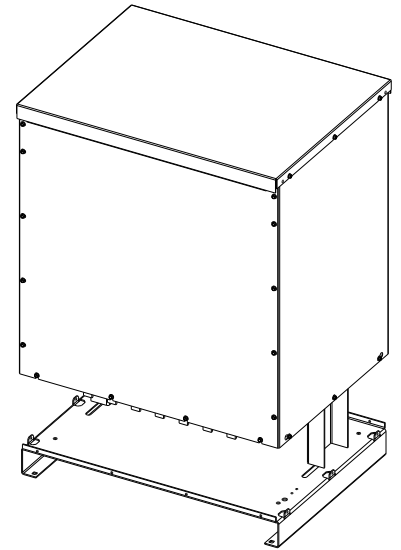
**FRONT VIEW**



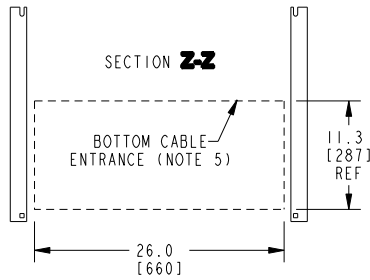
**SIDE VIEW**



**ISOMETRIC VIEW**



**SECTION Z-Z**



**BOTTOM VIEW OF CABLE ENTRANCE**

**APPROX TOTAL WEIGHT LBS [KG]**

**AL WINDINGS: 650 [295]**

**CU WINDINGS: 740 [336]**

**kVA RATING:**

**K-FACTOR:**

**PRI VOLTAGE:**

**SEC VOLTAGE:**

**FREQ (Hz):**

**TEMP RISE:**

**WINDING MATL:**

**ES SHIELD:**

**SOUND LVL (dB):**

**CUSTOMER TERMINATION**

LOCATION	CONNECTION TYPE	HOLE SIZE	HOLE QTY
PRIMARY BUS BARS	STANDARD BUS BAR (LUGS ARE OPTIONAL)	.41 [10.3] DIA	1 PER BUS BAR
SECONDARY BUS BARS			

**NOTES:**

- 1) ALL UNITS ARE UL LISTED AND ARE DESIGNED PER NEMA ST-20 STANDARDS.
- 2) TRANSFORMER IS DESIGNED FOR FLOOR MOUNTING. OPTIONAL WALL MOUNTING BRACKETS ARE NOT AVAILABLE FOR THIS DESIGN/STYLE.
- 3) TRANSFORMER IS DRY TYPE, CLASS AA, WITH NON-VENTILATED ENCLOSURES FOR INDOOR OR TYPE 3R OUTDOOR USE.
- 4) CABLE ENTRANCE IS PERMITTED THROUGH THE LEFT SIDE, RIGHT SIDE AND/OR BOTTOM ENCLOSURE PANELS ONLY. CABLE ENTRANCE IS NOT PERMITTED THROUGH THE FRONT, REAR OR TOP PANELS.
- 5) FOR LIFTING OTHER THAN WITH A FORK TRUCK, REMOVE TOP COVER AND USE 1" [25 MM] DIAMETER HOLES IN THE TOP CORE CLAMPS.
- 6) ENCLOSURE PAINT COLOR IS ANSI #81 GRAY.
- 7) 6" [152 MM] MINIMUM CLEARANCE IS REQUIRED FROM ALL WALLS.

**JOB NAME:**

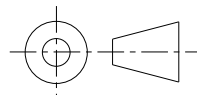
**SPEEDI PROP:**

UNLESS OTHERWISE SPECIFIED  
ALL DIMENSIONS ARE INCH [MM]



**GE Energy**

THIRD ANGLE PROJECTION



**DRY TYPE TRANSFORMER OUTLINE DRAWING  
TYPE QL, ULTRA-EE, TENV, 3-PHASE  
(VIEWS WITHOUT LOWER ENCLOSURE PANELS)**

**CAD DRAWING: 303B425AAP074**

**SHEET 2 OF 2**

**CATALOG #**

**REV 3**