

BOTTOM VIEW OF MOUNTING AND CABLE ENTRANCE

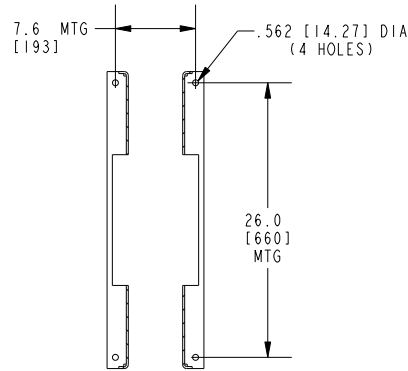
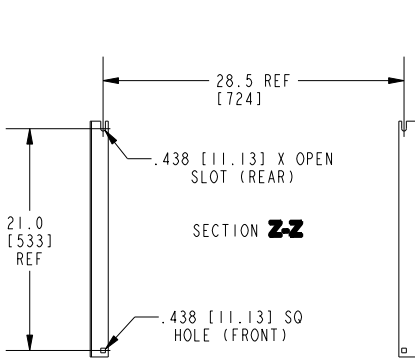
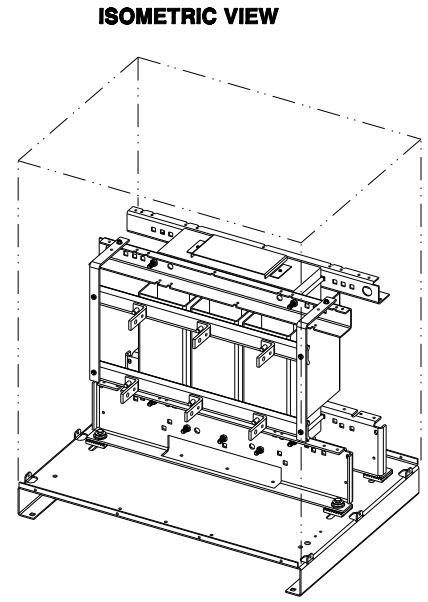
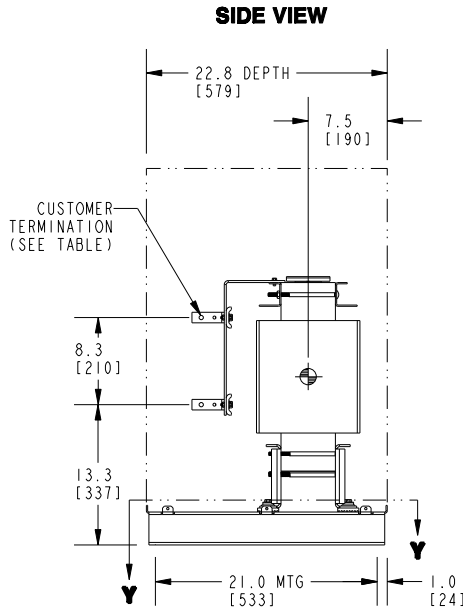
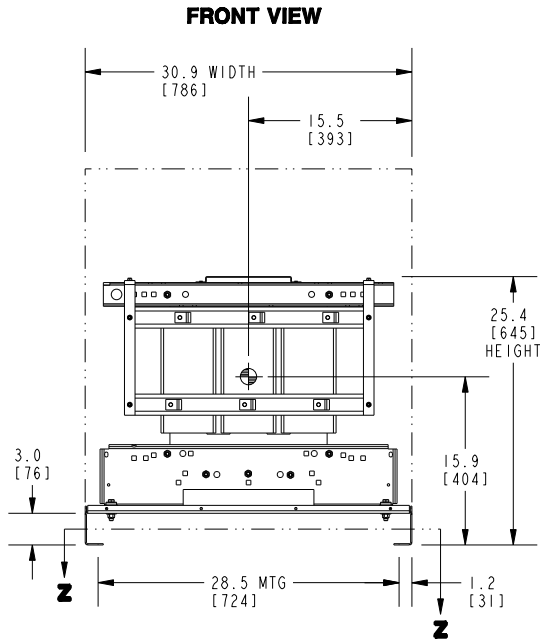
CUSTOMER TERMINATION			
LOCATION	CONNECTION TYPE	HOLE SIZE	HOLE QTY
PRIMARY BUS BARS	STANDARD BUS BAR (LUGS ARE OPTIONAL)	.41 [10.3] DIA	1 PER BUS BAR
SECONDARY BUS BARS			

APPROX TOTAL WEIGHT LBS [KG]
CU WINDINGS: 550 [249]

kVA RATING:
K-FACTOR:
PRI VOLTAGE:
SEC VOLTAGE:
FREQ (Hz):
TEMP RISE:
WINDING MATL:
ES SHIELD:
SOUND LVL (dB):

- NOTES:**
- 1) ALL UNITS ARE UL LISTED AND ARE DESIGNED PER NEMA ST-20 STANDARDS.
 - 2) THE TEMPERATURE RISE LISTED IS DETERMINED WHEN THE TRANSFORMER IS MOUNTED IN A STANDARD NEMA-2 ENCLOSURE.
 - 3) TRANSFORMER IS DESIGNED FOR FLOOR MOUNTING. OPTIONAL WALL MOUNTING BRACKETS ARE AVAILABLE.
 - 4) TRANSFORMER IS DRY TYPE, CLASS AA, WITH VENTILATED ENCLOSURE FOR INDOOR USE. OPTIONAL RAINSHIELD KITS ARE AVAILABLE TO ADAPT UNIT FOR TYPE 3R OUTDOOR USE WITHOUT VOIDING THE WARRANTY.
 - 5) APPLICABLE WHEN OPTIONAL RAINSHIELDS ARE INSTALLED. RAINSHIELDS ARE SHIPPED IN KITS FOR FIELD INSTALLATION.
 - 6) CABLE ENTRANCE IS PERMITTED THROUGH THE LEFT SIDE, RIGHT SIDE AND/OR BOTTOM ENCLOSURE PANELS ONLY. CABLE ENTRANCE IS NOT PERMITTED THROUGH THE FRONT, REAR OR TOP PANELS.
 - 7) FOR LIFTING OTHER THAN WITH A FORK TRUCK, REMOVE TOP COVER AND USE 1" [25 MM] DIAMETER HOLES IN THE TOP CORE CLAMPS.
 - 8) ENCLOSURE PAINT COLOR IS ANSI #61 GRAY.
 - 9) 6" [152 MM] MINIMUM CLEARANCE IS REQUIRED FROM ALL WALLS.

JOB NAME: SPEEDI PROP:	UNLESS OTHERWISE SPECIFIED ALL DIMENSIONS ARE INCH [MM]	GE Energy
	THIRD ANGLE PROJECTION 	DRY TYPE TRANSFORMER OUTLINE DRAWING TYPE QL, HARMONIC MITIGATING, 3-PHASE (ENCLOSED UNIT)
CAD DRAWING: 303B431AAP072	SHEET 1 OF 2	CATALOG # REV 3



BOTTOM VIEW OF MOUNTING HOLE PATTERN

SECTION Y-Y
BOTTOM VIEW OF MOUNTING HOLE PATTERN WITHOUT BASE ATTACHED

APPROX TOTAL WEIGHT LBS [KG]
CU WINDINGS: 450 [204]

kVA RATING:
K-FACTOR:
PRI VOLTAGE:
SEC VOLTAGE:
FREQ (Hz):
TEMP RISE:
WINDING MATL:
ES SHIELD:
SOUND LVL (dB):

CUSTOMER TERMINATION			
LOCATION	CONNECTION TYPE	HOLE SIZE	HOLE QTY
PRIMARY BUS BARS	STANDARD BUS BAR (LUGS ARE OPTIONAL)	.41 [10.3] DIA	1 PER BUS BAR
SECONDARY BUS BARS			

NOTES:

- 1) ALL UNITS ARE UL LISTED AND ARE DESIGNED PER NEMA ST-20 STANDARDS.
- 2) THE TEMPERATURE RISE LISTED IS DETERMINED WHEN THE TRANSFORMER IS MOUNTED IN A STANDARD NEMA-2 ENCLOSURE.
- 3) TRANSFORMER IS DRY TYPE, CLASS AA FOR INDOOR USE.
- 4) FOR LIFTING OTHER THAN WITH A FORK TRUCK, USE 1" [25 MM] DIAMETER HOLES IN THE TOP CORE CLAMPS.
- 5) BASE PAINT COLOR IS ANSI #61 GRAY.
- 6) 6" [152 MM] MINIMUM CLEARANCE IS REQUIRED FROM ALL WALLS.
- 7) ⊕ INDICATES APPROXIMATE CENTER OF GRAVITY.

JOB NAME: SPEEDI PROP:	UNLESS OTHERWISE SPECIFIED ALL DIMENSIONS ARE INCH [MM]		GE Energy	
	THIRD ANGLE PROJECTION 	DRY TYPE TRANSFORMER OUTLINE DRAWING TYPE QL, HARMONIC MITIGATING, 3-PHASE (CORE & COIL UNIT)		
CAD DRAWING: 303B431AAP072	SHEET 2 OF 2	CATALOG #	REV	3