

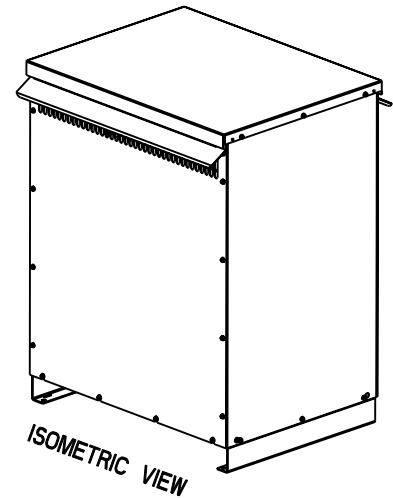
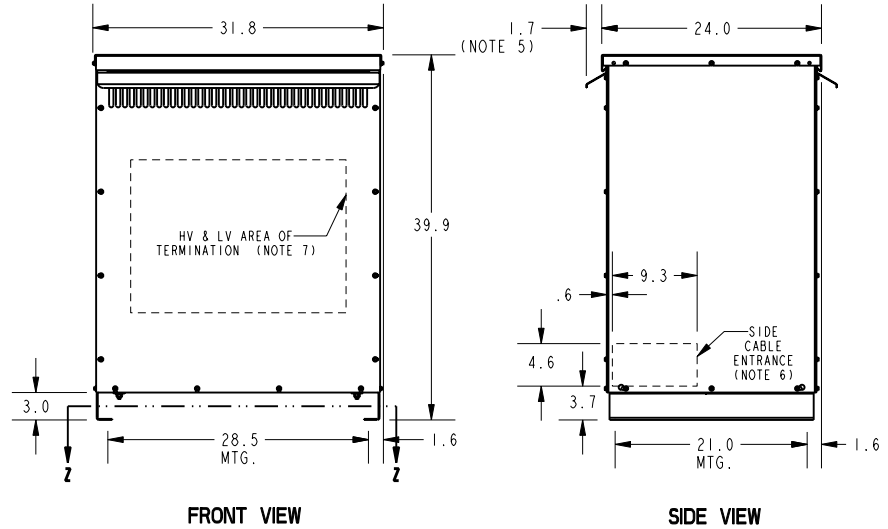
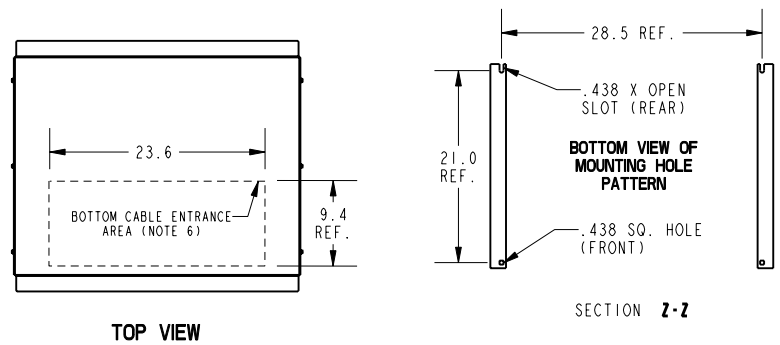


GENERAL ELECTRIC

DRY TYPE TRANSFORMERS

NOTES:

- 1) ALL UNITS ARE UL LISTED AND ARE DESIGNED IN ACCORDANCE WITH ANSI C89.2 AND NEMA ST-20 STANDARDS.
- 2) TRANSFORMERS UTILIZE A UL RECOGNIZED 220°C INSULATION SYSTEM. THE TEMPERATURE RISE(S) FOR THE SPECIFIC kVA RATINGS REFERENCED IN THE TABLE BELOW ARE DETERMINED WHEN THE TRANSFORMER IS MOUNTED IN A STANDARD ENCLOSURE.
- 3) TRANSFORMERS ARE DESIGNED FOR FLOOR MOUNTING.
- 4) TRANSFORMERS ARE DRY TYPE, CLASS AA, WITH VENTILATED ENCLOSURES FOR INDOOR USE. OPTIONAL RAINSHIELD KITS ARE AVAILABLE TO ADAPT ALL SIZES FOR TYPE 3R OUTDOOR USE WITHOUT VOIDING THE WARRANTY.
- 5) APPLICABLE WHEN OPTIONAL RAINSHIELDS ARE INSTALLED. RAINSHIELDS ARE SHIPPED IN KITS FOR FIELD INSTALLATION.
- 6) CABLE ENTRANCE IS PERMITTED THROUGH THE LEFT SIDE, RIGHT SIDE AND/OR BOTTOM ENCLOSURE PANELS ONLY. CABLE ENTRANCE IS NOT PERMITTED THROUGH THE FRONT, REAR OR TOP PANELS.
- 7) 0.563" DIA HOLES ARE PROVIDED FOR CUSTOMER TERMINATION.
- 8) FOR LIFTING, OTHER THAN WITH A FORK TRUCK, REMOVE TOP COVER AND USE 1" DIAMETER HOLES IN THE TOP CORE CLAMPS.
- 9) PAINT COLOR IS ANSI #61 GRAY.
- 10) 6" MINIMUM CLEARANCE IS REQUIRED FROM ALL WALLS.



TYPICAL kVA RATINGS AND TEMPERATURE RISES					
COIL	REF. kVA AT			WEIGHT LBS. (APPROX.)	dB LEVEL
	150°C RISE	115°C RISE	80°C RISE		
COPPER	75	N/A	N/A	920	50

QTY.	COIL CONDUCTOR	kVA	TEMP RISE	VOLTAGE		TAPS
				PRIMARY	SECONDARY	

CUSTOMER	UNLESS OTHERWISE SPECIFIED ALL DIMENSIONS ARE IN INCHES		GENERAL ELECTRIC COMPANY GE Consumer & Industrial
JOB NAME	THIRD ANGLE PROJECTION		
LINE #			OUTLINE DRAWING HARMONIC MITIGATING VENTED UNIT TP1, 3 PHASE
DESIGNATION			CATALOG NO.
DRW NO. 303B431AAP074	SHEET 1 OF 1		REV. 0