

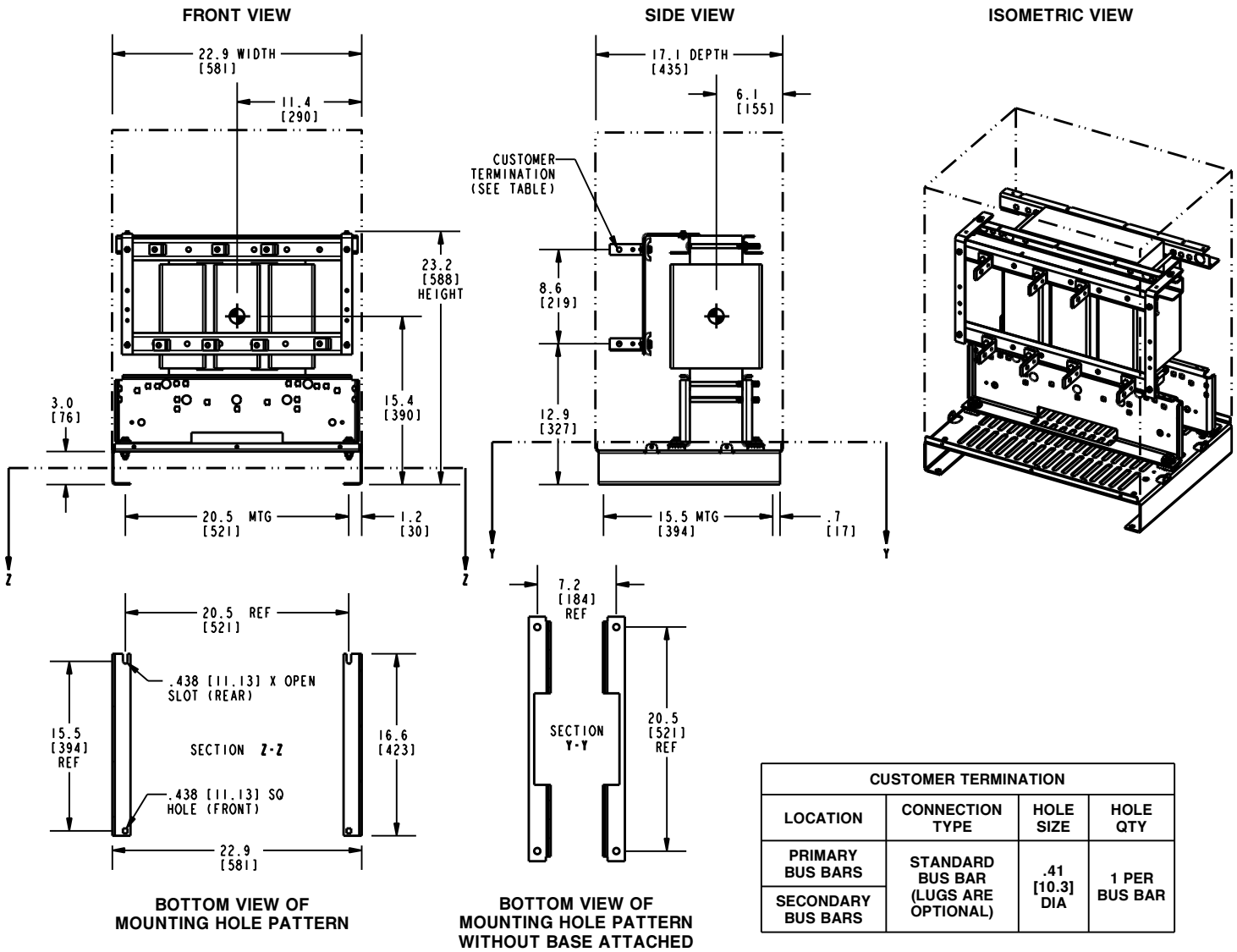
APPROX TOTAL WEIGHT LBS [KG]  
 CU WINDINGS: 318 [144]

kVA RATING:  
 K-FACTOR:  
 PRI VOLTAGE:  
 SEC VOLTAGE:  
 FREQ (Hz):  
 TEMP RISE:  
 WINDING MATL:  
 ES SHIELD:  
 SOUND LVL (dB):

**NOTES:**

- 1) ALL UNITS ARE UL LISTED AND ARE DESIGNED PER NEMA ST-20 STANDARDS.
- 2) THE TEMPERATURE RISE LISTED IS DETERMINED WHEN THE TRANSFORMER IS MOUNTED IN A STANDARD NEMA-2 ENCLOSURE.
- 3) TRANSFORMER IS DESIGNED FOR FLOOR MOUNTING. OPTIONAL WALL MOUNTING BRACKETS ARE AVAILABLE.
- 4) TRANSFORMER IS DRY TYPE, CLASS AA, WITH VENTILATED ENCLOSURE FOR INDOOR USE. OPTIONAL RAINSHIELD KITS ARE AVAILABLE TO ADAPT UNIT FOR TYPE 3R OUTDOOR USE WITHOUT VOIDING THE WARRANTY.
- 5) APPLICABLE WHEN OPTIONAL RAINSHIELDS ARE INSTALLED. RAINSHIELDS ARE SHIPPED IN KITS FOR FIELD INSTALLATION.
- 6) CABLE ENTRANCE IS PERMITTED THROUGH THE LEFT SIDE, RIGHT SIDE AND/OR BOTTOM ENCLOSURE PANELS ONLY. CABLE ENTRANCE IS NOT PERMITTED THROUGH THE FRONT, REAR OR TOP PANELS.
- 7) FOR LIFTING OTHER THAN WITH A FORK TRUCK, REMOVE TOP COVER AND USE 1" [25 MM] DIAMETER HOLES IN THE TOP CORE CLAMPS.
- 8) ENCLOSURE PAINT COLOR IS ANSI #61 GRAY.
- 9) 6" [152 MM] MINIMUM CLEARANCE IS REQUIRED FROM ALL WALLS.

JOB NAME: SPEEDI PROP:	UNLESS OTHERWISE SPECIFIED ALL DIMENSIONS ARE INCH [MM]	<b>Transformers</b> by ABB	
	THIRD ANGLE PROJECTION 		<b>DRY TYPE TRANSFORMER OUTLINE DRAWING</b> <b>TYPE QL, HARMONIC MITIGATING, 3-PHASE</b> <b>(ENCLOSED UNIT)</b>
electrification.us.abb.com	SHEET 1 OF 2	CATALOG #	REV <b>3</b>
CAD DRAWING: 303B431SLP071			



APPROX TOTAL WEIGHT LBS [KG]  
 CU WINDINGS: 318 [144]

kVA RATING:  
 K-FACTOR:  
 PRI VOLTAGE:  
 SEC VOLTAGE:  
 FREQ (Hz):  
 TEMP RISE:  
 WINDING MATL:  
 ES SHIELD:  
 SOUND LVL (dB):

**NOTES:**

- 1) ALL UNITS ARE UL LISTED AND ARE DESIGNED PER NEMA ST-20 STANDARDS.
- 2) THE TEMPERATURE RISE LISTED IS DETERMINED WHEN THE TRANSFORMER IS MOUNTED IN A STANDARD NEMA-2 ENCLOSURE.
- 3) TRANSFORMER IS DESIGNED FOR FLOOR MOUNTING. OPTIONAL WALL MOUNTING BRACKETS ARE AVAILABLE.
- 4) TRANSFORMER IS DRY TYPE, CLASS AA, WITH VENTILATED ENCLOSURE FOR INDOOR USE. OPTIONAL RAINSHIELD KITS ARE AVAILABLE TO ADAPT UNIT FOR TYPE 3R OUTDOOR USE WITHOUT VOIDING THE WARRANTY.
- 5) APPLICABLE WHEN OPTIONAL RAINSHIELDS ARE INSTALLED. RAINSHIELDS ARE SHIPPED IN KITS FOR FIELD INSTALLATION.
- 6) CABLE ENTRANCE IS PERMITTED THROUGH THE LEFT SIDE, RIGHT SIDE AND/OR BOTTOM ENCLOSURE PANELS ONLY. CABLE ENTRANCE IS NOT PERMITTED THROUGH THE FRONT, REAR OR TOP PANELS.
- 7) FOR LIFTING OTHER THAN WITH A FORK TRUCK, REMOVE TOP COVER AND USE 1" [25 MM] DIAMETER HOLES IN THE TOP CORE CLAMPS.
- 8) ENCLOSURE PAINT COLOR IS ANSI #61 GRAY.
- 9) 6" [152 MM] MINIMUM CLEARANCE IS REQUIRED FROM ALL WALLS.
- 10)  $\oplus$  INDICATES APPROXIMATE CENTER OF GRAVITY.

JOB NAME: SPEEDI PROP:	UNLESS OTHERWISE SPECIFIED ALL DIMENSIONS ARE INCH [MM]	<b>Transformers</b> by ABB	
	THIRD ANGLE PROJECTION 		<b>DRY TYPE TRANSFORMER OUTLINE DRAWING</b> <b>TYPE QL, HARMONIC MITIGATING, 3-PHASE</b> <b>(VIEWS WITHOUT ENCLOSURE PANELS)</b>
electrification.us.abb.com	SHEET 2 OF 2	CATALOG #	REV <b>3</b>
CAD DRAWING: 303B431SLP071			