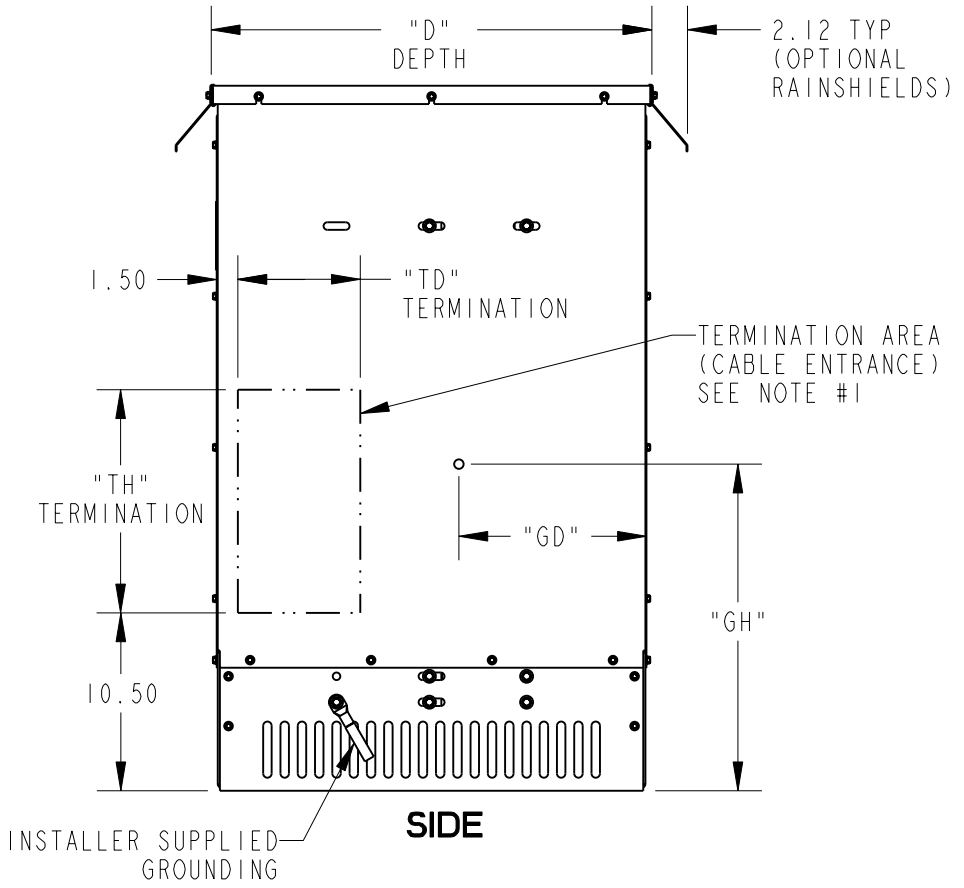
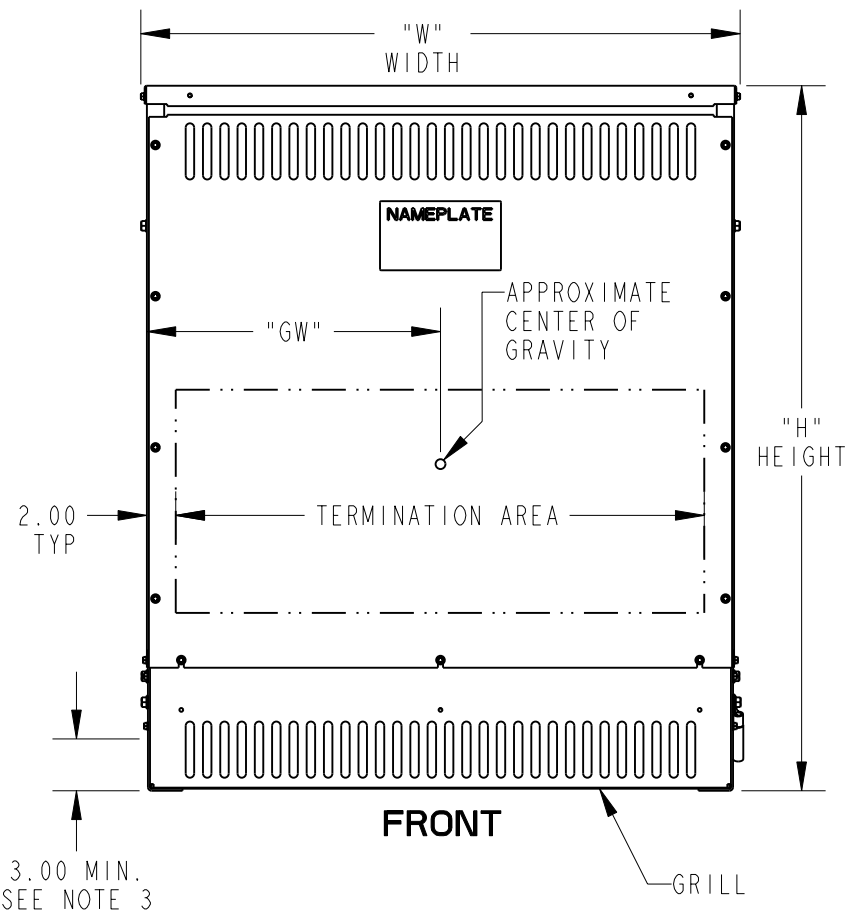
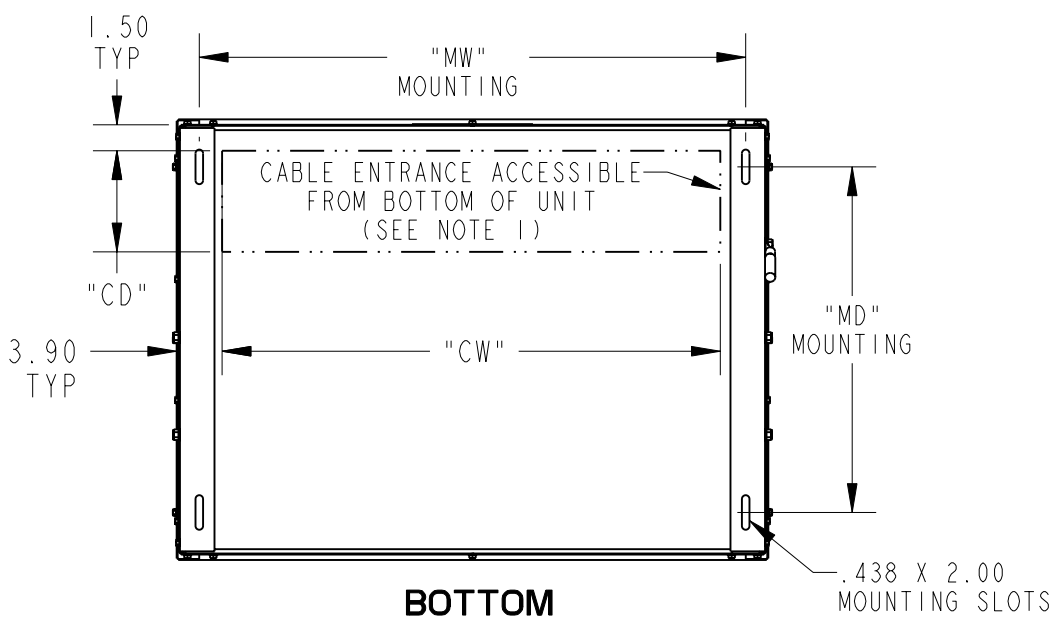


GE PROPRIETARY INFORMATION
 This document is the property of General Electric Company ("GE") and contains proprietary information of GE. This document is loaned on the express condition that neither it nor the information contained therein shall be disclosed to others without the express written consent of GE Industrial Systems, and that the information shall be used by the recipient only as approved expressly by GE Industrial Systems. This document shall be returned to GE upon its request. This document may be subject to certain restrictions under U.S. export control laws and regulations.

REVISIONS			
REV.	DESCRIPTION	DATE	APPROVED
11	UPDATED DESCRIPTION	09/04/08	KPO
12	ADDED FRAME COLUMN. UPDATED NOTE 6. DELETED KVA REF COLUMN.	03/15/10	CBC



- NOTES:
- 1) CABLE ENTRANCE OUTSIDE OF THIS AREA IS NOT RECOMMENDED. USE CAUTION TO AVOID INTERFERENCE WITH INTERNAL COMPONENTS.
 - 2) FOR CRANE LIFTING: REMOVE THE TOP COVER AND USE THE 1.00" OR 1.50" DIA. HOLES IN THE TOP CLAMPS.
 - 3) FOR FORK OR PALLET JACK LIFTING: RAISE AND REINSTALL THE FRONT AND REAR LOWER GRILLS. CLEARANCE BETWEEN FLOOR AND BOTTOM OF GRILL EQUALS 3.00 INCHES MINIMUM WITH GRILLS MOUNTED IN THE RAISED POSITION. GRILLS MUST BE RETURNED TO THE LOWER MOUNTING POSITION BEFORE ENERGIZING TRANSFORMER.
 - 4) "REF KVa" IS FOR UNITS RATED AT 150° C RISE AND 60 Hz.
 - 5) DIMENSIONS ARE IN INCHES.
 - 6) DISCONNECT SWITCH LUG SIZE PER FOLLOWING FRAME SIZE:
 FC77 - 2/0-600 (1) TOTAL, 6-250 (1) TOTAL OR TWIN 2/0-250 Kcmil CU OR AL
 FC78 - 4/0-350 Kcmil CU OR 300-500 Kcmil AL (2) TOTAL
 FC79 - 3/0-500 Kcmil CU OR AL (3) TOTAL
 FC67 - 3/0-500 Kcmil CU OR AL (3) TOTAL
 FC68 - 3/0-500 Kcmil CU OR AL (3) TOTAL



FRAME SIZE	PART NO.	APPROX. WT. (LBS.)		MAXIMUM ENVELOPE			MOUNTING		TERMINATION		CABLE ENTRANCE		APPROXIMATE CENTER OF GRAVITY			LUGS PER PHASE
		AL	CU	"H"	"W"	"D"	"MW"	"MD"	"TH"	"TD"	"CW"	"CD"	"GH"	"GW"	"GD"	
FC77	P077	845	976	37.3	29.5	28.5	26.4	23.0	9.0	8.0	16.7	4.3	17.0	14.4	11.5	1
FC78	P078	1020	1160	40.9	34.8	25.6	31.6	20.0	12.5	6.5	22.0	3.8	20.0	17.4	10.5	1
FC79	P079	1585	1780	45.4	38.5	33.6	35.2	27.0	10.0	11.5	22.5	7.5	20.5	18.9	12.8	1
FC67	P067	3250	4030	57.5	47.5	40.0	44.0	31.0	20.0	9.5	34.4	4.3	26.0	23.7	16.0	2
FC68	P068	3250	4030	57.5	47.5	40.0	44.0	31.0	20.0	9.5	34.4	4.3	26.0	23.7	16.0	2

SEE DRAWING 303B899CC FOR INTERNAL FAN AND SWITCH DETAIL

SIGNATURES		DATE	GE Consumer & Industrial GENERAL ELECTRIC COMPANY Fort Wayne, Indiana
DRAWN	BP Horne	03-27-06	
CHECKED	.	.	
ENGRG	.	.	
ISSUED	.	.	
APPLIED PRACTICES			OUTLINE DRAWING TransforMore PRODUCT LINE (FAN-ASSISTED COOLING)
SIZE	DRAWING	REV.	
B	303B899AA	12	
SCALE: 0.090		REF. NO:	SHEET 1 OF 1

SIZE B DRAWING NO. 303B899AA REV 12 SHEET 1

