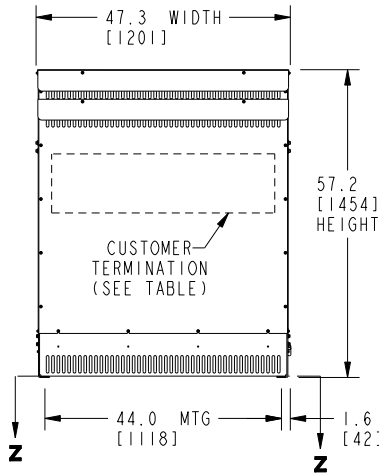
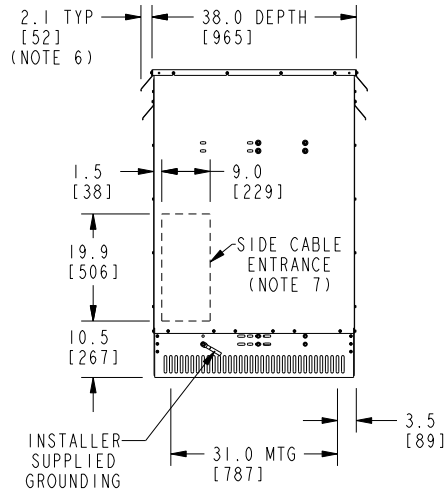


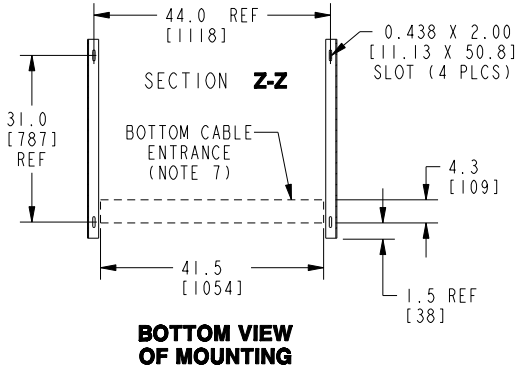
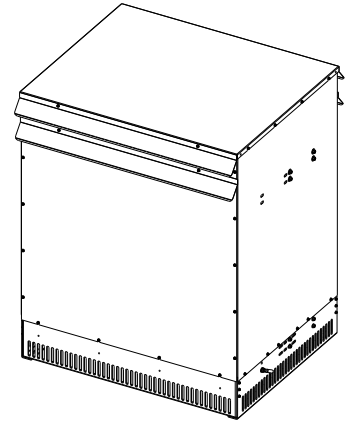
FRONT VIEW



SIDE VIEW



ISOMETRIC VIEW



CUSTOMER TERMINATION

NOTE: THIS UNIT INCLUDES (2) PRIMARY DISCONNECT SWITCHES. MULTIPLE INPUT CABLES SHOULD BE EQUALLY DIVIDED BETWEEN BOTH SWITCHES.

LOCATION	CONNECTION TYPE	HOLE SIZE
PRIMARY DISCONNECT SWITCHES	TCAL81 LUGS (3 HOLES EACH LUG) (2 LUGS PER PHASE)	.84 DIA (6 HOLES) 3/0 - 500 MCM
SECONDARY BUS BARS	BUS BARS (6 HOLES EACH BAR)	.56 DIA (6 HOLES)

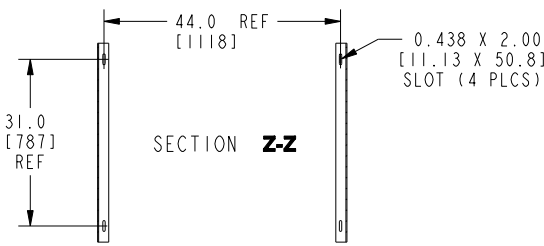
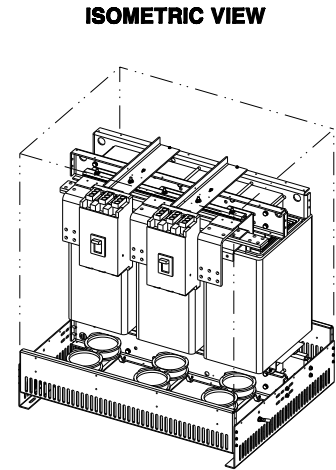
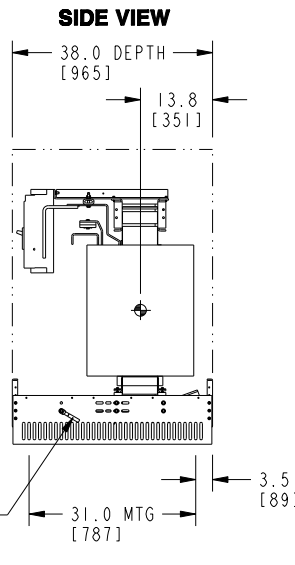
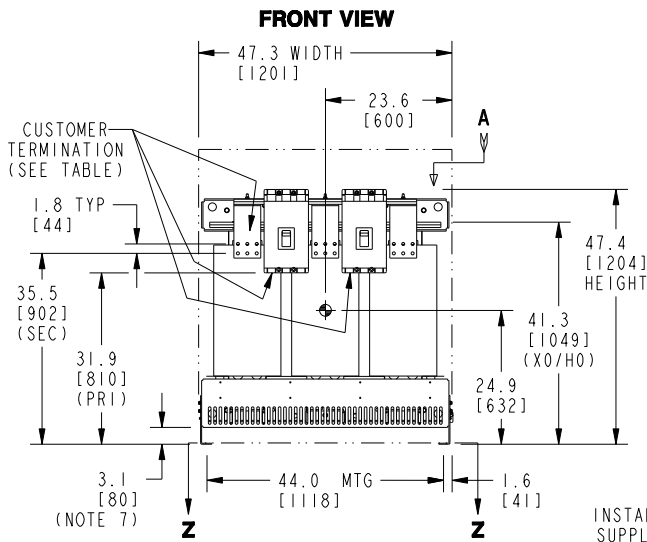
APPROX TOTAL WEIGHT LBS [KG]
AL WINDINGS: 3250 [1474]
CU WINDINGS: 4030 [1828]

kVA RATING:
K-FACTOR:
PRI VOLTAGE:
SEC VOLTAGE:
FREQ (Hz):
TEMP RISE:
WINDING MATL:
ES SHIELD:
SOUND LVL (dB):

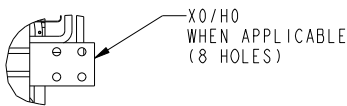
NOTES:

- 1) NEMA AFA DRY TYPE TRANSFORMER. COMPLIES WITH APPLICABLE NEMA STANDARDS AND IEEE C57.12.01; UL LISTED 1561.
- 2) THERMAL SWITCHES ACTIVATE AT: 125° C (FANS), 180° C (ALARM), 200° C (DISCONNECT).
- 3) THE TEMPERATURE RISE LISTED IS DETERMINED WHEN THE TRANSFORMER IS MOUNTED IN A STANDARD NEMA 2 ENCLOSURE
- 4) TRANSFORMER IS DESIGNED FOR FLOOR MOUNTING. OPTIONAL WALL MOUNTING BRACKETS ARE NOT AVAILABLE FOR THIS DESIGN/STYLE.
- 5) TRANSFORMER IS DRY TYPE, CLASS AA, WITH VENTILATED ENCLOSURE FOR INDOOR USE. OPTIONAL RAINSHIELD KITS ARE AVAILABLE TO ADAPT UNIT FOR TYPE 3R OUTDOOR USE WITHOUT VOIDING THE WARRANTY.
- 6) APPLICABLE WHEN OPTIONAL RAINSHIELDS ARE INSTALLED. RAINSHIELDS ARE SHIPPED IN KITS FOR FIELD INSTALLATION.
- 7) CABLE ENTRANCE IS PERMITTED THROUGH THE LEFT SIDE, RIGHT SIDE AND/OR BOTTOM ENCLOSURE PANELS ONLY. CABLE ENTRANCE IS NOT PERMITTED THROUGH THE FRONT, REAR OR TOP PANELS.
- 8) WHEN MOVING WITH A PALLET JACK OR FORK TRUCK, INSERT FORKS COMPLETELY UNDERNEATH BOTH FRONT AND REAR LIFTING GRILLS. FOR CRANE LIFTING, USE 1-1/2" [38 MM] DIAMETER HOLES IN THE TOP CORE CLAMPS.
- 9) ENCLOSURE PAINT COLOR IS ANSI #61 GRAY.
- 10) 6" [152 MM] MINIMUM CLEARANCE IS REQUIRED FROM ALL WALLS.

JOB NAME: SPEEDI PROP:	UNLESS OTHERWISE SPECIFIED ALL DIMENSIONS ARE INCH [MM]	<p>GE Energy</p>	<p>DRY TYPE TRANSFORMER OUTLINE DRAWING TYPE TRANSFORMORE, 3-PHASE (ENCLOSED UNIT)</p>
	<p>THIRD ANGLE PROJECTION</p>		
CAD DRAWING: 303B899AAP068	SHEET 1 OF 2		REV 16



BOTTOM VIEW OF MOUNTING



ENLARGED VIEW IN DIRECTION OF ARROW "A"

CUSTOMER TERMINATION		
NOTE: THIS UNIT INCLUDES (2) PRIMARY DISCONNECT SWITCHES. MULTIPLE INPUT CABLES SHOULD BE EQUALLY DIVIDED BETWEEN BOTH SWITCHES.		
LOCATION	CONNECTION TYPE	HOLE SIZE
PRIMARY DISCONNECT SWITCHES	TCAL81 LUGS (3 HOLES EACH LUG) (2 LUGS PER PHASE)	.84 DIA (6 HOLES) 3/0 - 500 MCM
SECONDARY BUS BARS	BUS BARS (6 HOLES EACH BAR)	.56 DIA (6 HOLES)

APPROX TOTAL WEIGHT LBS [KG]
AL WINDINGS: 3250 [1474]
CU WINDINGS: 4030 [1828]

kVA RATING:
K-FACTOR:
PRI VOLTAGE:
SEC VOLTAGE:
FREQ (Hz):
TEMP RISE:
WINDING MATL:
ES SHIELD:
SOUND LVL (dB):

NOTES:

- 1) NEMA AFA DRY TYPE TRANSFORMER. COMPLIES WITH APPLICABLE NEMA STANDARDS AND IEEE C57.12.01; UL LISTED 1561.
- 2) THERMAL SWITCHES ACTIVATE AT: 125° C (FANS), 180° C (ALARM), 200° C (DISCONNECT).
- 3) THE TEMPERATURE RISE LISTED IS DETERMINED WHEN THE TRANSFORMER IS MOUNTED IN A STANDARD NEMA 2 ENCLOSURE
- 4) TRANSFORMER IS DESIGNED FOR FLOOR MOUNTING. OPTIONAL WALL MOUNTING BRACKETS ARE NOT AVAILABLE FOR THIS DESIGN/STYLE.
- 5) TRANSFORMER IS DRY TYPE, CLASS AA, WITH VENTILATED ENCLOSURE FOR INDOOR USE. OPTIONAL RAINSHIELD KITS ARE AVAILABLE TO ADAPT UNIT FOR TYPE 3R OUTDOOR USE WITHOUT VOIDING THE WARRANTY.
- 6) CABLE ENTRANCE IS PERMITTED THROUGH THE LEFT SIDE, RIGHT SIDE AND/OR BOTTOM ENCLOSURE PANELS ONLY. CABLE ENTRANCE IS NOT PERMITTED THROUGH THE FRONT, REAR OR TOP PANELS.
- 7) WHEN MOVING WITH A PALLET JACK OR FORK TRUCK, INSERT FORKS COMPLETELY UNDERNEATH BOTH FRONT AND REAR LIFTING GRILLS. FOR CRANE LIFTING, USE 1-1/2" DIAMETER HOLES IN THE TOP CORE CLAMPS.
- 8) ENCLOSURE PAINT COLOR IS ANSI #61 GRAY.
- 9) 6" MINIMUM CLEARANCE IS REQUIRED FROM ALL WALLS.
- 10) ⌀ INDICATES APPROXIMATE CENTER OF GRAVITY.

JOB NAME: SPEEDI PROP:	UNLESS OTHERWISE SPECIFIED ALL DIMENSIONS ARE INCH [MM]		GE Energy DRY TYPE TRANSFORMER OUTLINE DRAWING TYPE TRANSFORMER, 3-PHASE (INTERNAL VIEWS OF TRANSFORMER)
	THIRD ANGLE PROJECTION		
CAD DRAWING: 303B899AAP068	SHEET 2 OF 2		REV 16