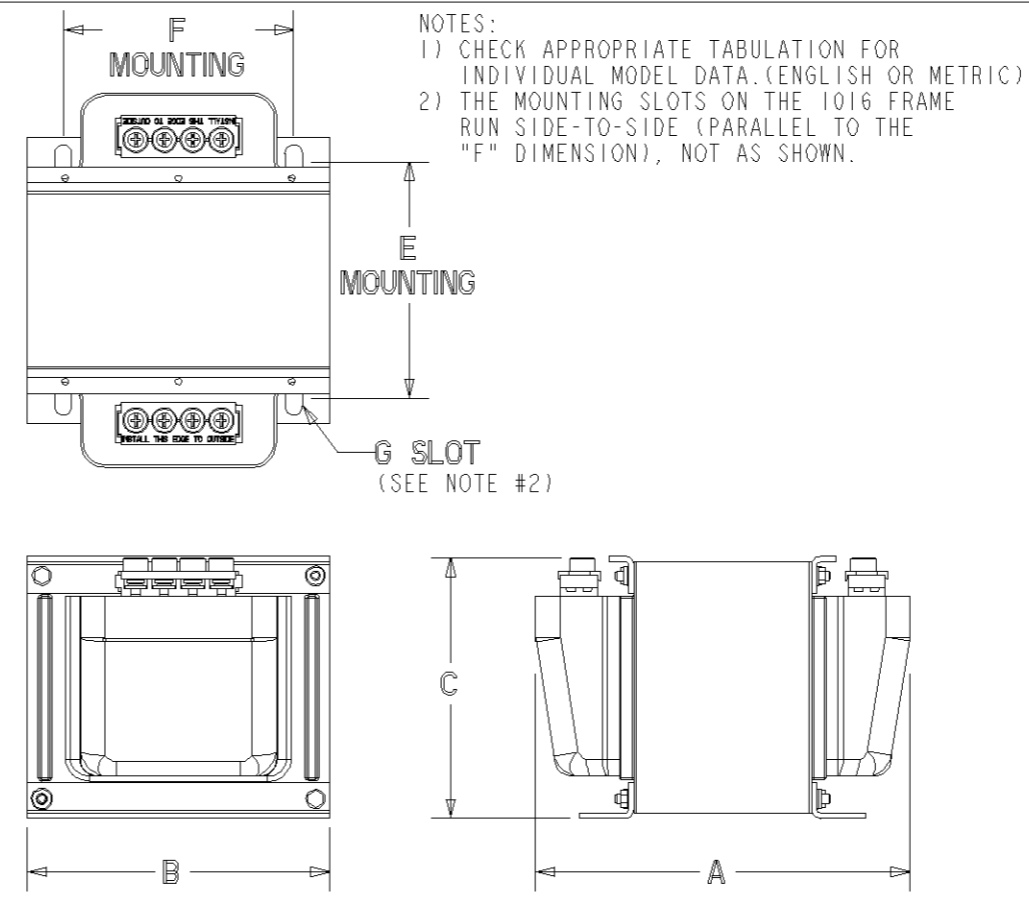


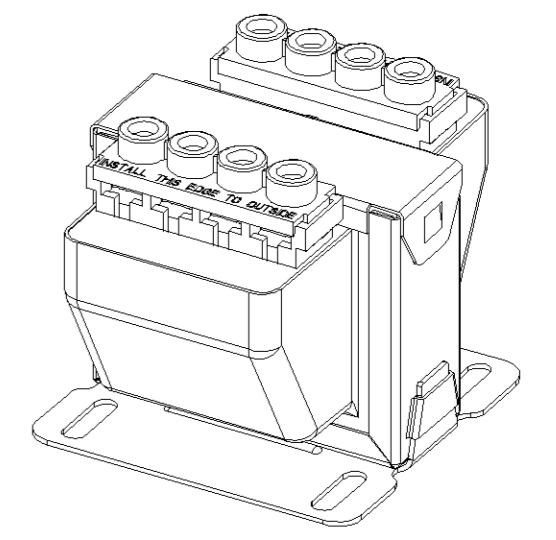
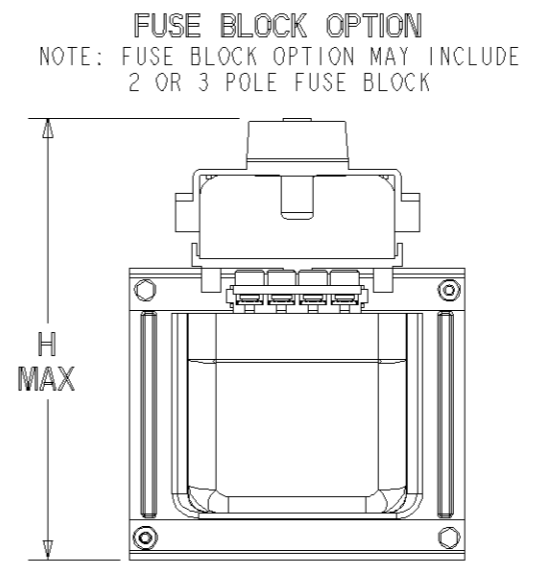
ENGLISH DIMENSIONS (INCHES)										
STYLE	PART	FRAME	REF 50/60 Hz KVA	APPROX WEIGHT (LBS)	MAXIMUM ENVELOPE			MOUNTING		
					DEPTH	WIDTH	HEIGHT	DEPTH	WIDTH	SLOT
					A	B	C	E	F	G
AA	P00611	611	.025	2.6	3.97	3.29	3.08	2.16	2.50	.219 X .750
	P00612	612	---	3.0	4.22	3.29	3.08	2.41	2.50	.219 X .750
	P00613	613	.050	3.4	4.47	3.29	3.08	2.66	2.50	.219 X .750
	P00811	811	.075	3.9	4.17	4.04	3.60	2.16	3.12	.219 X .750
	P00813	813	.100	5.5	4.67	4.04	3.60	2.66	3.12	.219 X .750
	P00814	814	---	6.3	4.92	4.04	3.60	2.91	3.12	.219 X .750
	P00815	815	.150	7.0	5.17	4.04	3.60	3.16	3.12	.219 X .750
	P00817	817	---	8.3	5.67	4.04	3.60	3.66	3.12	.219 X .750
P01016	1016	.300	11.6	5.82	4.79	4.17	3.31	3.79	.297 X .590	
BA	PI2200	I2200	.400	11.5	5.56	5.31	4.62	3.12	4.00	.297 X .580
	PI2225	I2225	.500	13.0	5.81	5.31	4.62	3.38	4.00	.297 X .580
	PI2275	I2275	.500	16.0	6.31	5.31	4.62	3.88	4.00	.297 X .580
	PI2300	I2300	---	17.5	6.56	5.31	4.62	4.12	4.00	.297 X .580
	PI4200	I4200	.750	26.8	6.06	6.81	5.88	3.12	5.50	.297 X .580
	PI4225	I4225	---	29.0	6.31	6.81	5.88	3.38	5.50	.297 X .580
	PI4250	I4250	1.00	31.2	6.56	6.81	5.88	3.62	5.50	.297 X .580
	PI4300	I4300	---	35.5	7.06	6.81	5.88	4.12	5.50	.297 X .580
	PI4350	I4350	1.50	40.2	7.56	6.81	5.88	4.62	5.50	.297 X .580
	PI4400	I4400	---	44.8	8.06	6.81	5.88	5.12	5.50	.297 X .580
PI4475	I4475	2.00	51.5	8.81	6.81	5.88	5.88	5.50	.297 X .580	

METRIC DIMENSIONS (MILLIMETERS)										
STYLE	PART	FRAME	REF 50/60 Hz KVA	APPROX WEIGHT (KG)	MAXIMUM ENVELOPE			MOUNTING		
					DEPTH	WIDTH	HEIGHT	DEPTH	WIDTH	SLOT
					A	B	C	E	F	G
AA	P00611	611	.025	1.2	100.8	83.6	78.2	54.9	63.5	5.56 X 19.05
	P00612	612	---	1.4	107.2	83.6	78.2	61.2	63.5	5.56 X 19.05
	P00613	613	.050	1.6	113.5	83.6	78.2	67.6	63.5	5.56 X 19.05
	P00811	811	.075	1.8	105.9	102.6	91.4	59.4	79.2	5.56 X 19.05
	P00813	813	.100	2.5	118.6	102.6	91.4	67.6	79.2	5.56 X 19.05
	P00814	814	---	2.9	125.0	102.6	91.4	73.9	79.2	5.56 X 19.05
	P00815	815	.150	3.2	131.3	102.6	91.4	80.3	79.2	5.56 X 19.05
	P00817	817	---	3.8	144.0	102.6	91.4	93.0	79.2	5.56 X 19.05
	P01016	1016	.300	5.3	147.8	121.7	105.9	84.1	96.3	7.54 X 14.99
	BA	PI2200	I2200	.400	5.2	141.2	134.9	117.3	79.2	101.6
PI2225		I2225	.500	5.9	147.6	134.9	117.3	85.8	101.6	7.54 X 14.73
PI2275		I2275	.500	7.3	160.3	134.9	117.3	98.6	101.6	7.54 X 14.73
PI2300		I2300	---	8.0	166.6	134.9	117.3	104.6	101.6	7.54 X 14.73
PI4200		I4200	.750	12.2	153.9	173.0	149.4	79.2	139.7	7.54 X 14.73
PI4225		I4225	---	13.2	160.3	173.0	149.4	85.8	139.7	7.54 X 14.73
PI4250		I4250	1.00	14.2	166.6	173.0	149.4	91.9	139.7	7.54 X 14.73
PI4300		I4300	---	16.1	179.3	173.0	149.4	104.6	139.7	7.54 X 14.73
PI4350		I4350	1.50	18.3	192.0	173.0	149.4	117.3	139.7	7.54 X 14.73
PI4400		I4400	---	20.4	204.7	173.0	149.4	130.0	139.7	7.54 X 14.73
PI4475	I4475	2.00	23.4	223.8	173.0	149.4	149.4	139.7	7.54 X 14.73	

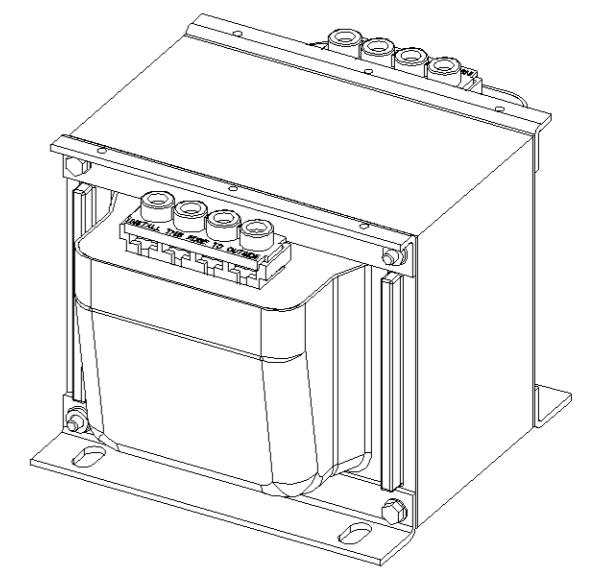


ENGLISH (IN)		
FRAME SERIES	H 2 POLE FUSE BLOCK	H 3 POLE FUSE BLOCK
600	5.05	N/A
800	5.67	5.67 *
1000	6.30	6.30
12000	6.97	6.97
14000	8.26	8.26

METRIC (MM)		
FRAME SERIES	H 2 POLE FUSE BLOCK	H 3 POLE FUSE BLOCK
600	128.3	N/A
800	144.0	144.0 *
1000	160.0	160.0
12000	177.0	177.0
14000	209.8	209.8



STYLE AA



STYLE BA

* THIS OPTION AVAILABLE ONLY FOR UNITS .150 KVA AND OVER.

** OUTLINE NUMBERING METHOD **



GE GE Electrical Distribution and Control

ENCAPSULATED CORE AND COIL TRANSFORMERS
 TYPE IP - CE-MARK

USED FOR MACHINE TOOL, INDUSTRIAL CONTROL, PANELBOARDS,
 GENERAL PURPOSE APPLICATIONS; UL7CUL LISTED, EN60742 COMPLIANT

DATE 02/25/98	REV LEVEL 000	DIST	DRAWING NUMBER 303B912	SHEET 1 OF 1
------------------	------------------	------	---------------------------	-----------------