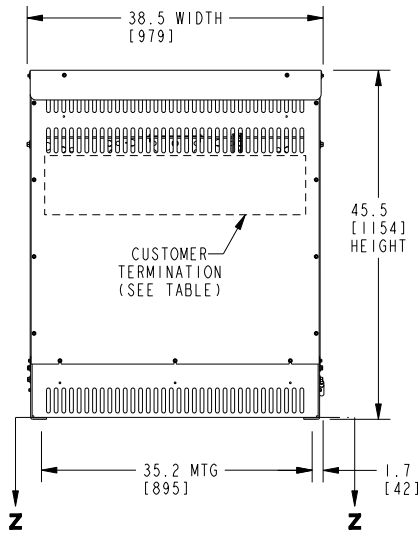
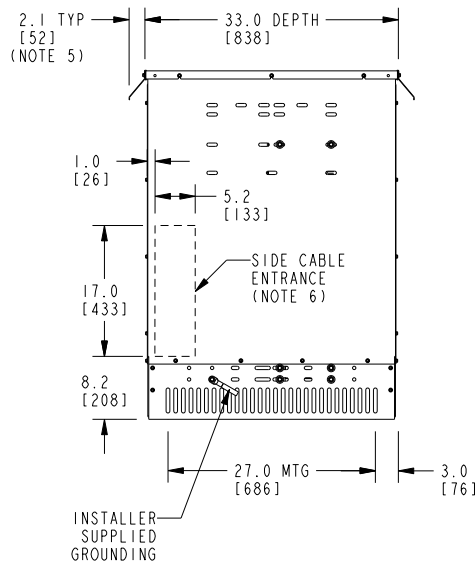


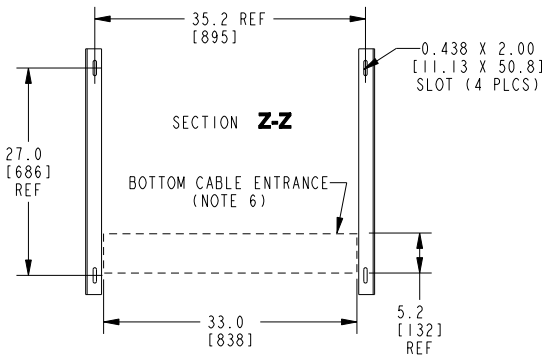
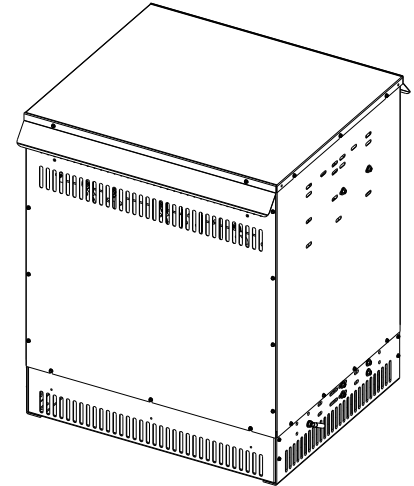
**FRONT VIEW**



**SIDE VIEW**



**ISOMETRIC VIEW**



**BOTTOM VIEW OF MOUNTING AND CABLE ENTRANCE**

CUSTOMER TERMINATION			
LOCATION	CONNECTION TYPE	HOLE SIZE	HOLE QTY
PRIMARY BUS BARS	STANDARD BUS BAR (LUGS ARE OPTIONAL)	.56 [14.2] DIA	2 PER BUS BAR
SECONDARY BUS BARS			4 PER BUS BAR

**APPROX TOTAL WEIGHT LBS [KG]**

**AL WINDINGS: 1590 [721]**

**CU WINDINGS: 1710 [776]**

**kVA RATING:**

**K-FACTOR:**

**PRI VOLTAGE:**

**SEC VOLTAGE:**

**FREQ (Hz):**

**TEMP RISE:**

**WINDING MATL:**

**ES SHIELD:**

**SOUND LVL (dB):**

**NOTES:**

- 1) ALL UNITS ARE UL LISTED AND ARE DESIGNED PER NEMA ST-20 STANDARDS.
- 2) THE TEMPERATURE RISE LISTED IS DETERMINED WHEN THE TRANSFORMER IS MOUNTED IN A STANDARD ENCLOSURE.
- 3) TRANSFORMER IS DESIGNED FOR FLOOR MOUNTING. OPTIONAL WALL MOUNTING BRACKETS ARE NOT AVAILABLE FOR THIS DESIGN/STYLE.
- 4) TRANSFORMERS ARE DRY TYPE, CLASS AA, WITH VENTILATED ENCLOSURES FOR INDOOR USE. OPTIONAL RAINSHIELD KITS ARE AVAILABLE TO ADAPT ALL SIZES FOR TYPE 3R OUTDOOR USE WITHOUT VOIDING THE WARRANTY.
- 5) APPLICABLE WHEN OPTIONAL RAINSHIELDS ARE INSTALLED. RAINSHIELDS ARE SHIPPED IN KITS FOR FIELD INSTALLATION.
- 6) CABLE ENTRANCE IS PERMITTED THROUGH THE LEFT SIDE, RIGHT SIDE AND/OR BOTTOM ENCLOSURE PANELS ONLY. CABLE ENTRANCE IS NOT PERMITTED THROUGH THE FRONT, REAR OR TOP PANELS.
- 7) FOR MOVING THE UNIT WITH A PALLET JACK OR FORK TRUCK, INSERT FORKS COMPLETELY UNDERNEATH BOTH FRONT AND REAR LIFTING GRILLS. FOR CRANE LIFTING USE 1" [25 MM] DIAMETER HOLES IN THE TOP CORE CLAMPS.
- 8) ENCLOSURE PAINT COLOR IS ANSI #61 GRAY.
- 9) 6" [152 MM] MINIMUM CLEARANCE IS REQUIRED FROM ALL WALLS.

**JOB NAME:**

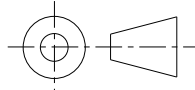
**SPEEDI PROP:**

UNLESS OTHERWISE SPECIFIED ALL DIMENSIONS ARE INCH [MM]



**GE Energy**

THIRD ANGLE PROJECTION



**DRY TYPE TRANSFORMER OUTLINE DRAWING  
TYPE QL, TP1, 3-PHASE  
(ENCLOSED UNIT)**

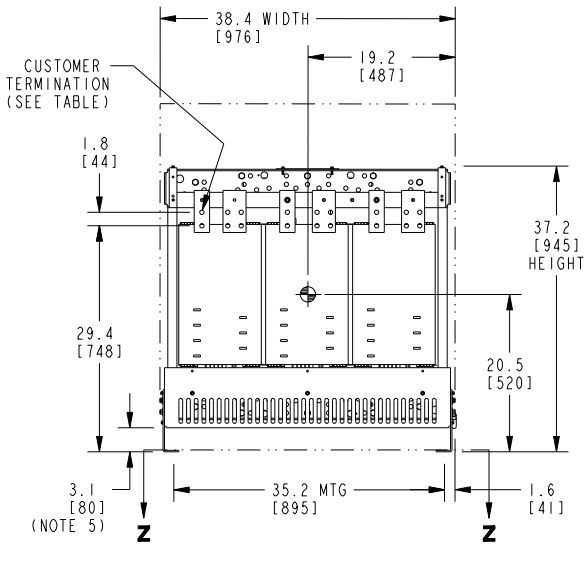
**CAD DRAWING: 303B919AAP077**

**SHEET 1 OF 3**

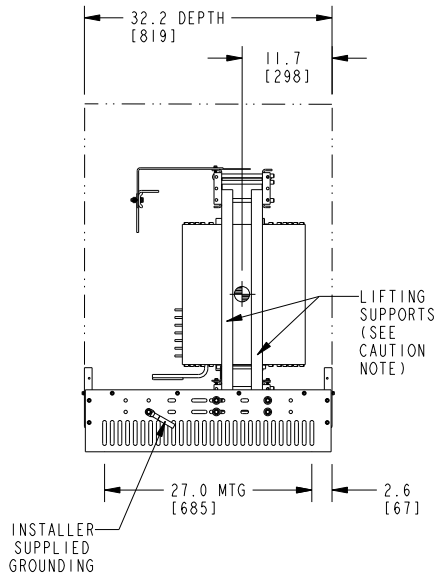
**CATALOG #**

**REV 5**

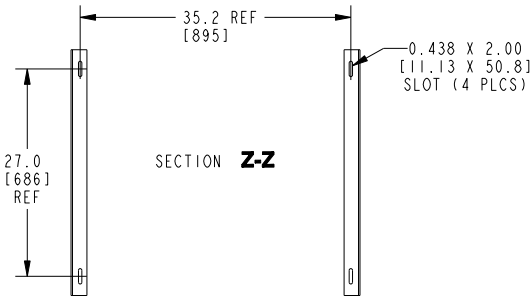
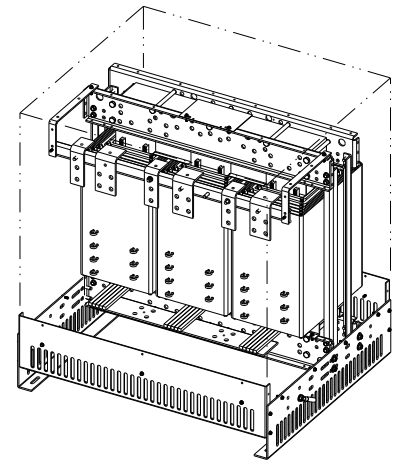
**FRONT VIEW**



**SIDE VIEW**



**ISOMETRIC VIEW**



**BOTTOM VIEW OF MOUNTING HOLE PATTERN**

**CAUTION:**

**THE TEMPORARY LIFTING SUPPORTS (PAINTED YELLOW) MUST REMAIN ATTACHED TO THE TRANSFORMER UNTIL THE TRANSFORMER IS INSTALLED INTO ITS FINAL POSITION.**

**THE SUPPORTS MUST THEN BE REMOVED PRIOR TO ENERGIZING THE TRANSFORMER.**

**APPROX TOTAL WEIGHT LBS [KG]**  
**AL WINDINGS: 1470 [667]**  
**CU WINDINGS: 1590 [721]**

**kVA RATING:**  
**K-FACTOR:**  
**PRI VOLTAGE:**  
**SEC VOLTAGE:**  
**FREQ (Hz):**  
**TEMP RISE:**  
**WINDING MATL:**  
**ES SHIELD:**  
**SOUND LVL (dB):**

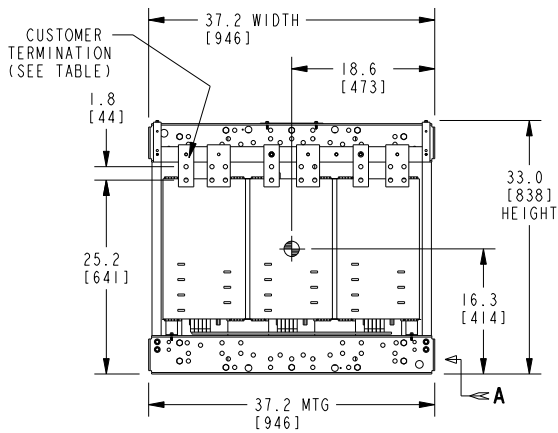
CUSTOMER TERMINATION			
LOCATION	CONNECTION TYPE	HOLE SIZE	HOLE QTY
PRIMARY BUS BARS	STANDARD BUS BAR (LUGS ARE OPTIONAL)	.56 [14.2] DIA	2 PER BUS BAR
SECONDARY BUS BARS			4 PER BUS BAR

**NOTES:**

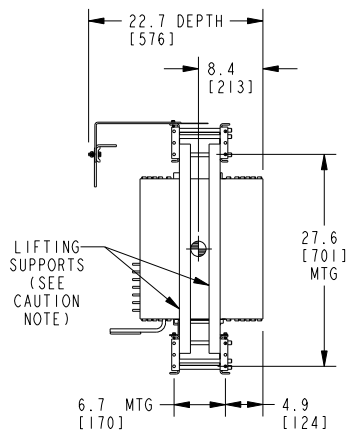
- 1) ALL UNITS ARE UL LISTED AND ARE DESIGNED PER NEMA ST-20 STANDARDS.
- 2) THE TEMPERATURE RISE LISTED IS DETERMINED WHEN THE TRANSFORMER IS MOUNTED IN A STANDARD ENCLOSURE.
- 3) TRANSFORMER IS DESIGNED FOR FLOOR MOUNTING. OPTIONAL WALL MOUNTING BRACKETS ARE NOT AVAILABLE FOR THIS DESIGN/STYLE.
- 4) TRANSFORMERS ARE DRY TYPE, CLASS AA FOR INDOOR USE.
- 5) FOR MOVING THE UNIT WITH A PALLET JACK OR FORK TRUCK, INSERT FORKS COMPLETELY UNDERNEATH BOTH FRONT AND REAR LIFTING GRILLS. FOR CRANE LIFTING USE 1" [25 MM] DIAMETER HOLES IN THE TOP CORE CLAMPS.
- 6) PAINTED GRILL AND MOUNTING BRACKET COLOR IS ANSI #61 GRAY.
- 7) 6" [152 MM] MINIMUM CLEARANCE IS REQUIRED FROM ALL WALLS.
- 8) ⊕ INDICATES APPROXIMATE CENTER OF GRAVITY.

<b>JOB NAME:</b> <b>SPEEDI PROP:</b>	<b>UNLESS OTHERWISE SPECIFIED ALL DIMENSIONS ARE INCH [MM]</b>		<b>GE Energy</b>  <b>DRY TYPE TRANSFORMER OUTLINE DRAWING</b> <b>TYPE QL, TP1, 3-PHASE</b> <b>(CORE &amp; COIL UNIT WITH MOUNTING BRACKETS)</b>
	<b>THIRD ANGLE PROJECTION</b> 		
<b>CAD DRAWING: 303B919AAP077</b>	<b>SHEET 2 OF 3</b>		

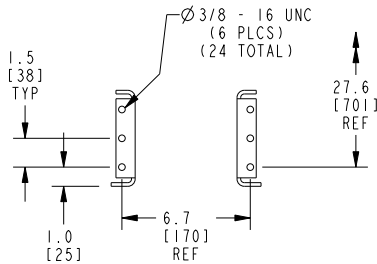
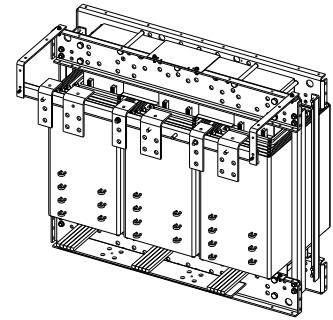
**FRONT VIEW**



**SIDE VIEW**



**ISOMETRIC VIEW**



**ENLARGED VIEW IN DIRECTION OF ARROW "A"**  
TYPICAL MOUNTING DETAILS (4 PLACES)

**CAUTION:**

**THE TEMPORARY LIFTING SUPPORTS (PAINTED YELLOW) MUST REMAIN ATTACHED TO THE TRANSFORMER UNTIL THE TRANSFORMER IS INSTALLED INTO ITS FINAL POSITION.**

**THE SUPPORTS MUST THEN BE REMOVED PRIOR TO ENERGIZING THE TRANSFORMER.**

**APPROX TOTAL WEIGHT LBS [KG]**

**AL WINDINGS: 1430 [649]**

**CU WINDINGS: 1550 [703]**

**CUSTOMER TERMINATION**

LOCATION	CONNECTION TYPE	HOLE SIZE	HOLE QTY
PRIMARY BUS BARS	STANDARD BUS BAR (LUGS ARE OPTIONAL)	.56 [14.2] DIA	2 PER BUS BAR
SECONDARY BUS BARS			4 PER BUS BAR

**kVA RATING:**

**K-FACTOR:**

**PRI VOLTAGE:**

**SEC VOLTAGE:**

**FREQ (Hz):**

**TEMP RISE:**

**WINDING MATL:**

**ES SHIELD:**

**SOUND LVL (dB):**

**NOTES:**

- 1) ALL UNITS ARE UL LISTED AND ARE DESIGNED PER NEMA ST-20 STANDARDS.
- 2) THE TEMPERATURE RISE LISTED IS DETERMINED WHEN THE TRANSFORMER IS MOUNTED IN A STANDARD ENCLOSURE.
- 3) TRANSFORMER IS DRY TYPE, CLASS AA FOR INDOOR USE.
- 4) FOR MOVING THE UNIT WITH A PALLET JACK OR FORK TRUCK, INSERT FORKS COMPLETELY UNDERNEATH BOTH FRONT AND REAR CORE CLAMPS. FOR CRANE LIFTING USE 1" [25 MM] DIAMETER HOLES IN THE TOP CORE CLAMPS.
- 5) 6" [152 MM] MINIMUM CLEARANCE IS REQUIRED FROM ALL WALLS.
- 6)  $\oplus$  INDICATES APPROXIMATE CENTER OF GRAVITY.

**JOB NAME:**

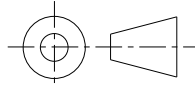
**SPEEDI PROP:**

UNLESS OTHERWISE SPECIFIED ALL DIMENSIONS ARE INCH [MM]



**GE Energy**

THIRD ANGLE PROJECTION



**DRY TYPE TRANSFORMER OUTLINE DRAWING  
TYPE QL, TP1, 3-PHASE  
(CORE & COIL UNIT WITHOUT MOUNTING BRACKETS)**

**CAD DRAWING: 303B919AAP077**

**SHEET 3 OF 3**

**CATALOG #**

**REV 5**