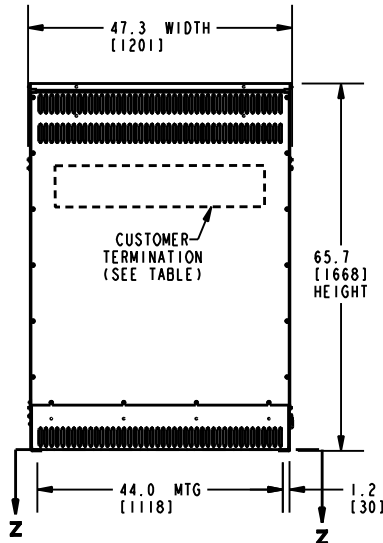
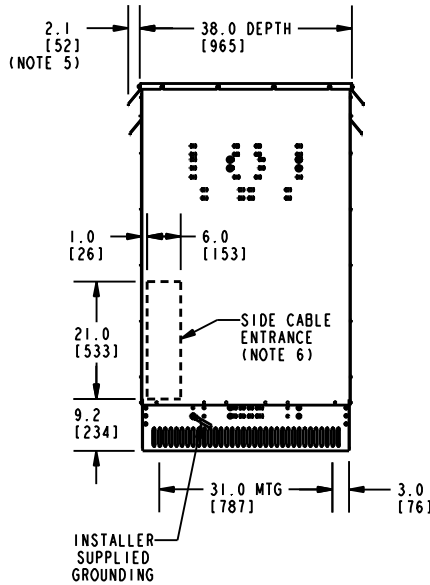


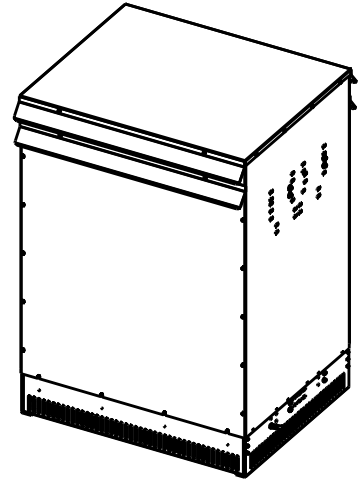
FRONT VIEW



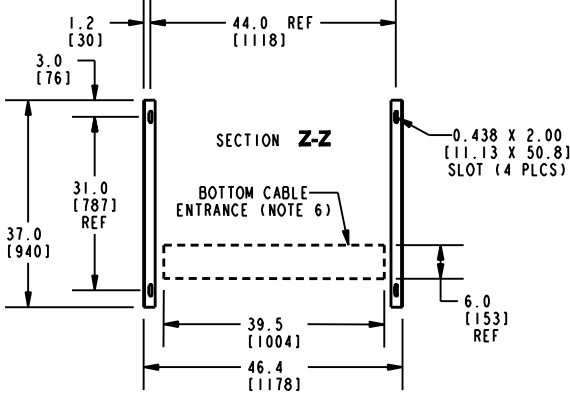
SIDE VIEW



ISOMETRIC VIEW



SECTION Z-Z



BOTTOM VIEW OF MOUNTING HOLE PATTERN

CUSTOMER TERMINATION			
LOCATION	CONNECTION TYPE	HOLE SIZE	HOLE QTY
PRIMARY BUS BARS	STANDARD BUS BAR (LUGS ARE OPTIONAL)	.56 [14.2] DIA	4 PER BUS BAR
SECONDARY BUS BARS			6 PER BUS BAR

APPROX TOTAL WEIGHT LBS [KG]
 AL WINDINGS: 3400 [1542]
 CU WINDINGS: 4050 [1837]

kVA RATING:
K-FACTOR:
PRI VOLTAGE:
SEC VOLTAGE:
FREQ (Hz):
TEMP RISE:
WINDING MATL:
ES SHIELD:
SOUND LVL (dB):

NOTES:

- 1) ALL UNITS ARE UL LISTED AND ARE DESIGNED PER NEMA ST-20 STANDARDS.
- 2) THE TEMPERATURE RISE LISTED IS DETERMINED WHEN THE TRANSFORMER IS MOUNTED IN A STANDARD NEMA 2 ENCLOSURE.
- 3) TRANSFORMER IS DESIGNED FOR FLOOR MOUNTING. OPTIONAL WALL MOUNTING BRACKETS ARE NOT AVAILABLE FOR THIS DESIGN/STYLE.
- 4) TRANSFORMERS ARE DRY TYPE, CLASS AA, WITH VENTILATED ENCLOSURES FOR INDOOR USE. OPTIONAL RAINSHIELD KITS ARE AVAILABLE TO ADAPT ALL SIZES FOR TYPE 3R OUTDOOR USE WITHOUT VOIDING THE WARRANTY.
- 5) APPLICABLE WHEN OPTIONAL RAINSHIELDS ARE INSTALLED. RAINSHIELDS ARE SHIPPED IN KITS FOR FIELD INSTALLATION.
- 6) CABLE ENTRANCE IS PERMITTED THROUGH THE LEFT SIDE, RIGHT SIDE AND/OR BOTTOM ENCLOSURE PANELS ONLY. CABLE ENTRANCE IS NOT PERMITTED THROUGH THE FRONT, REAR OR TOP PANELS.
- 7) FOR MOVING THE UNIT WITH A PALLET JACK OR FORK TRUCK, INSERT FORKS COMPLETELY UNDERNEATH BOTH FRONT AND REAR LIFTING GRILLS. FOR CRANE LIFTING USE 1" [25 MM] DIAMETER HOLES IN THE TOP CORE CLAMPS.
- 8) ENCLOSURE PAINT COLOR IS ANSI #61 GRAY.
- 9) 6" [152 MM] MINIMUM CLEARANCE IS REQUIRED FROM ALL WALLS.

JOB NAME:

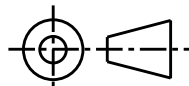
SPEEDI PROP:

electrification.us.abb.com

CAD DRAWING: 303B919AAP179

UNLESS OTHERWISE SPECIFIED
 ALL DIMENSIONS ARE INCH [MM]

THIRD ANGLE PROJECTION



SHEET 1 OF 2



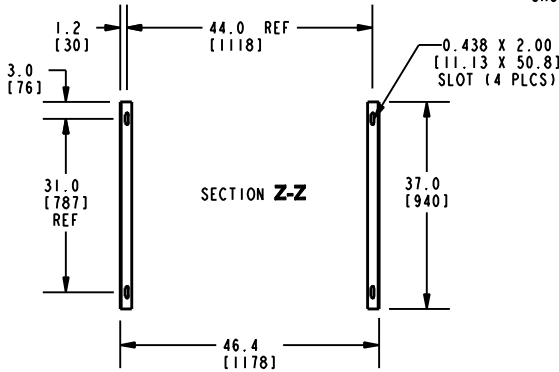
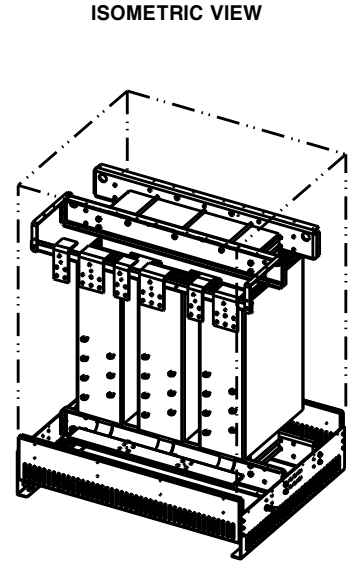
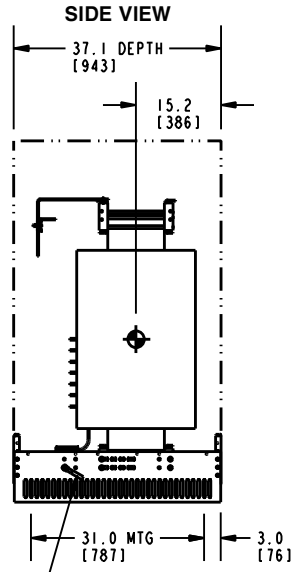
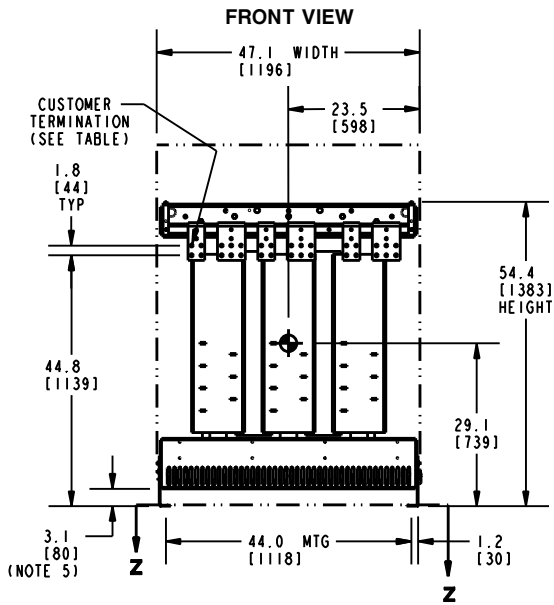
Transformers

by **ABB**

DRY TYPE TRANSFORMER OUTLINE DRAWING
TYPE QL, TP1, 3-PHASE
(ENCLOSED UNIT)

CATALOG #

REV 8



INSTALLER SUPPLIED GROUNDING

CUSTOMER TERMINATION			
LOCATION	CONNECTION TYPE	HOLE SIZE	HOLE QTY
PRIMARY BUS BARS	STANDARD BUS BAR (LUGS ARE OPTIONAL)	.56 [14.2] DIA	4 PER BUS BAR
SECONDARY BUS BARS			6 PER BUS BAR

APPROX TOTAL WEIGHT LBS [KG]
 AL WINDINGS: 3400 [1542]
 CU WINDINGS: 4050 [1837]

kVA RATING:
 K-FACTOR:
 PRI VOLTAGE:
 SEC VOLTAGE:
 FREQ (Hz):
 TEMP RISE:
 WINDING MATL:
 ES SHIELD:
 SOUND LVL (dB):

NOTES:

- 1) ALL UNITS ARE UL LISTED AND ARE DESIGNED PER NEMA ST-20 STANDARDS.
- 2) THE TEMPERATURE RISE LISTED IS DETERMINED WHEN THE TRANSFORMER IS MOUNTED IN A STANDARD NEMA 2 ENCLOSURE.
- 3) TRANSFORMER IS DESIGNED FOR FLOOR MOUNTING. OPTIONAL WALL MOUNTING BRACKETS ARE NOT AVAILABLE FOR THIS DESIGN/STYLE.
- 4) TRANSFORMERS ARE DRY TYPE, CLASS AA FOR INDOOR USE.
- 5) FOR MOVING THE UNIT WITH A PALLET JACK OR FORK TRUCK, INSERT FORKS COMPLETELY UNDERNEATH BOTH FRONT AND REAR LIFTING GRILLS. FOR CRANE LIFTING USE 1.5" [38 MM] DIAMETER HOLES IN THE TOP CORE CLAMPS.
- 6) PAINTED GRILL AND MOUNTING BRACKET COLOR IS ANSI #61 GRAY.
- 7) 6" [152 MM] MINIMUM CLEARANCE IS REQUIRED FROM ALL WALLS.
- 8) ⦿ INDICATES APPROXIMATE CENTER OF GRAVITY.

JOB NAME: SPEEDI PROP:	UNLESS OTHERWISE SPECIFIED ALL DIMENSIONS ARE INCH [MM]	Transformers by ABB
	THIRD ANGLE PROJECTION	
electrification.us.abb.com		DRY TYPE TRANSFORMER OUTLINE DRAWING TYPE QL, TP1, 3-PHASE (VIEWS WITHOUT ENCLOSURE PANELS)
CAD DRAWING: 303B919AAP179		SHEET 2 OF 2