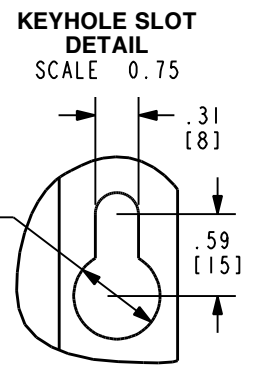
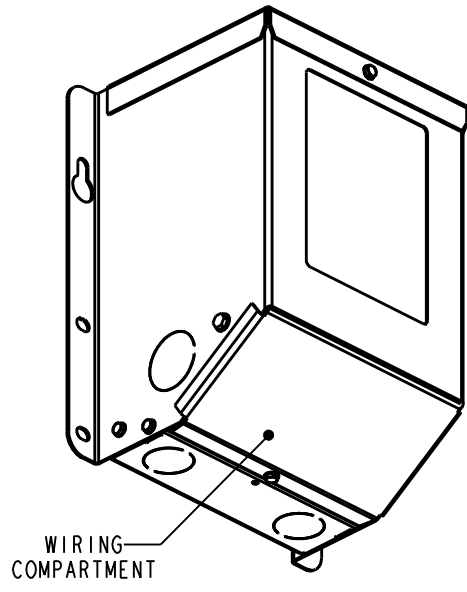


ISOMETRIC VIEW



APPROX TOTAL WEIGHT LBS [KG]  
 CU WINDINGS: 25 [11.3]

kVA RATING:  
 K-FACTOR:  
 PRI VOLTAGE:  
 SEC VOLTAGE:  
 FREQ (Hz):  
 TEMP RISE:  
 WINDING MATL:  
 ES SHIELD:  
 SOUND LVL (dB):

JOB NAME: SPEEDI PROP:	UNLESS OTHERWISE SPECIFIED ALL DIMENSIONS ARE INCH [MM]	<b>Transformers</b> by ABB	
	THIRD ANGLE PROJECTION 		<b>DRY TYPE TRANSFORMER OUTLINE DRAWING</b> <b>TYPE QB, 1-PHASE</b> <b>(ENCLOSED INDOOR/OUTDOOR UNIT)</b>
electrification.us.abb.com	SHEET 1 OF 1	CATALOG #	REV <b>13</b>
CAD DRAWING: 303B920AAP012			