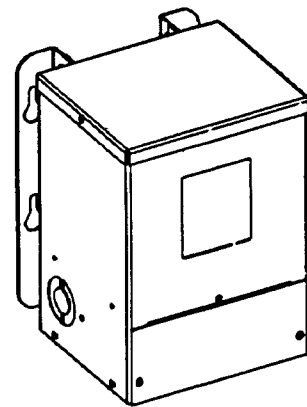


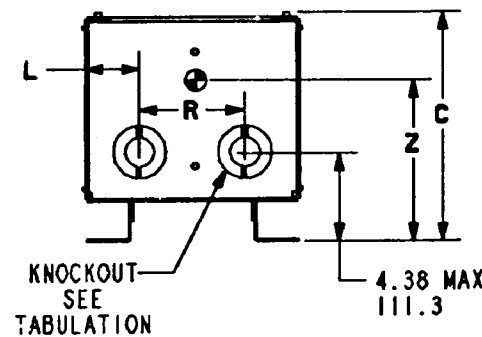
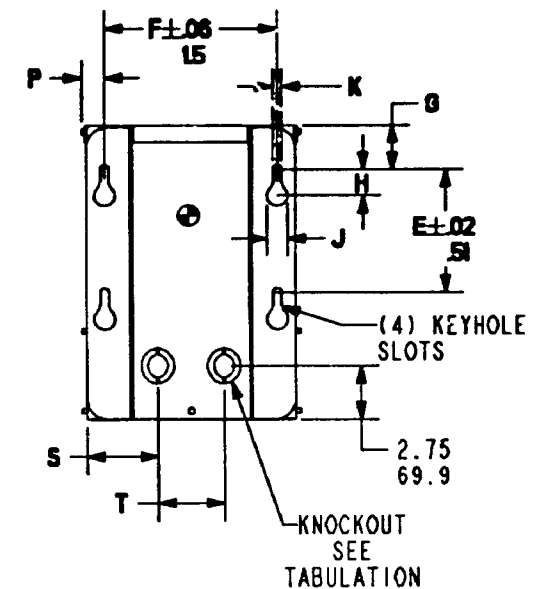
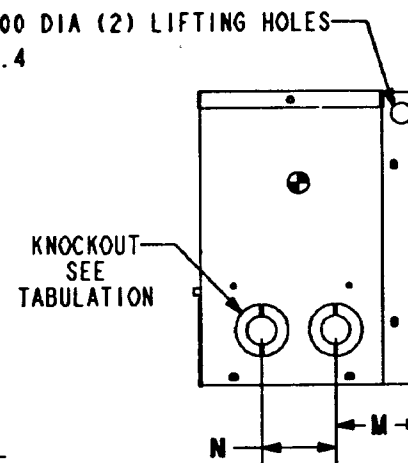
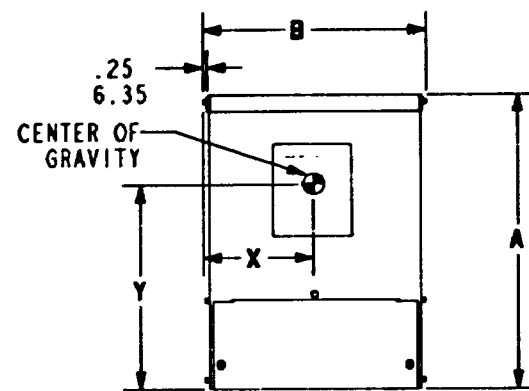
DRAWING NUMBER
303B922AA

PART NO.	REF KVA	PHASE	MAX ENVELOPE			MOUNTING						KNOCKOUT REFERENCE								CENTER OF GRAVITY			APPROX WEIGHT	
			HEIGHT	WIDTH	DEPTH	HEIGHT	WIDTH	KEYHOLES				L' MAX	M' MAX	N	P' MAX	R	S' MAX	T	NO. OF K.O.'S	CONDUIT DIAMETER	X	Y		Z
								A	B	C	G MAX													
P001	5.0	1	14.50	10.75	11.12	6.00	8.31	2.10	1.52	1.12	.56	2.75	4.38	SEE NOTE 2	1.20	5.00	5.03	SEE NOTE 2	5	1.00 & 2.00	5.38	9.66	6.44	100 LB
			368.3	273.1	282.4	152.4	211.1	55.6	38.6	28.4	14.2	69.9	111.3	30.5	127.0	127.8								
P002	7.5	1	15.88	11.94	12.56	6.56	9.50	2.57	1.52	1.12	.56	2.75	4.38	3.50	1.20	6.00	5.62	SEE NOTE 2	7	1.00 & 2.00	5.97	10.50	7.12	150 LB
			404.4	303.3	319.0	166.6	241.3	65.3	38.6	28.4	14.2	69.9	111.3	88.9	30.5	152.4	142.7							
P003	10.0	1	17.12	12.62	12.75	7.50	10.18	2.38	1.52	1.12	.56	2.75	4.38	3.50	1.45	6.25	5.97	SEE NOTE 2	7	1.00 & 2.00	6.06	12.12	7.22	180 LB
			434.8	320.5	323.8	190.5	258.6	60.5	38.6	28.4	14.2	69.9	111.3	88.9	36.8	158.7	151.6							
P004	15.0	1	18.81	14.75	14.53	7.09	12.25	3.22	1.52	1.12	.56	2.75	4.38	4.50	1.20	8.81	4.64	4.50	8	1.00 & 2.00	7.38	12.31	8.20	250 LB
			477.8	374.7	369.1	180.1	311.2	81.8	38.6	28.4	14.2	69.9	111.3	114.3	30.5	223.8	117.9	114.3						
P005	25.0	1	19.88	16.09	15.69	9.00	13.62	3.22	1.52	1.12	.56	2.75	4.38	4.75	1.20	9.75	5.00	4.75	8	1.50 & 2.00	7.58	13.62	8.75	440 LB
			505.0	408.7	398.5	228.6	345.9	81.8	38.6	28.4	14.2	69.9	111.3	120.6	30.5	247.7	127.0	120.7						
P006	3.0 & 5.0	3	14.75	14.30	10.44	7.00	11.17	2.66	1.52	1.12	.56	3.22	6.02	SEE NOTE 2	1.20	6.70	6.53	SEE NOTE 2	5	1.00 & 2.00	7.15	9.75	5.84	140 LB
			374.6	363.2	265.2	177.8	283.7	67.6	38.6	28.4	14.2	81.8	152.9	30.5	170.2	165.9								
P007	9.0 & 15.0	3	19.62	18.03	11.62	9.00	14.94	3.22	1.52	1.12	.56	3.34	6.64	SEE NOTE 2	1.20	10.25	5.90	5.00	6	1.00 & 2.00	9.02	12.94	6.50	245 LB
			498.4	457.9	295.2	228.6	379.5	81.8	38.6	28.4	14.2	84.8	168.6	30.5	260.4	149.9	127.0							



NOTES:

- 1) SEE TABULATION FOR ACTUAL NUMBER OF KNOCKOUTS
- 2) THIS DIMENSION NOT APPLICABLE - ONLY ONE KNOCKOUT (CENTERED) AT THIS LOCATION
- 3) DIMENSIONS ARE INCH
MM



8	CHG. P1, P2, P3 MOUNTING KEY-SLOT ECN 96-1289	07/22/96	OWS
8	ADDED MIN TO DIM H, J, K. ADDED MAX TO DIM G, L, M, P, S.	06/27/96	OWS
7	ON P003 CHG F DIM 9.69 TO 10.18 CHG CONDUIT DIA ON P005 FROM 1.00, 2.00, 2.50 TO 1.00, 2.00 DIA	10/24/95	OWS
6	CHG. F DIM. ON P006 FROM 10.68 TO 11.17	07/25/95	OWS
5	ADDED P006 & P007, REMVD 1 PHASE FROM NAME	06-08-94	BSF
4	REDRAWN ON PRO-E	02-22-93	BSF
REV	DESCRIPTION	DATE	ENG

GE Electrical Distribution and Control

OUTLINE MODEL QMS
(UL & CSA APPROVED, GENERAL PURPOSE)

DRAWN **B FLEMING**
DATE 02-22-93
DIST NONE DISPLAY -0
DRAWING NUMBER **303B922AA**

DRAWING SCALE: NONE



Specialty Transformer Operation Fort Wayne, Indiana USA