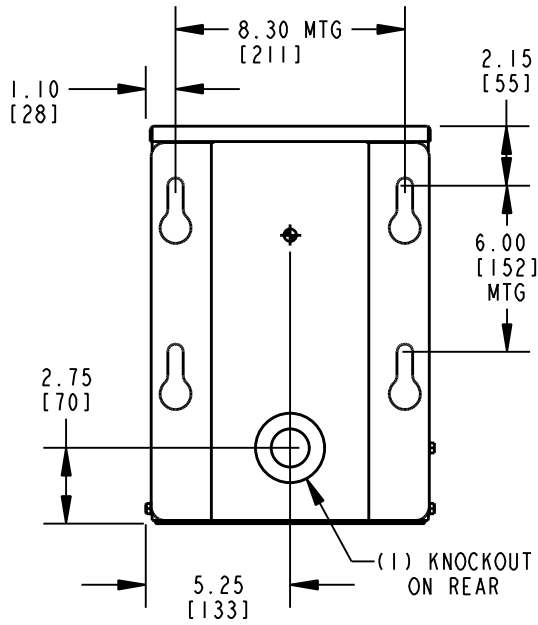
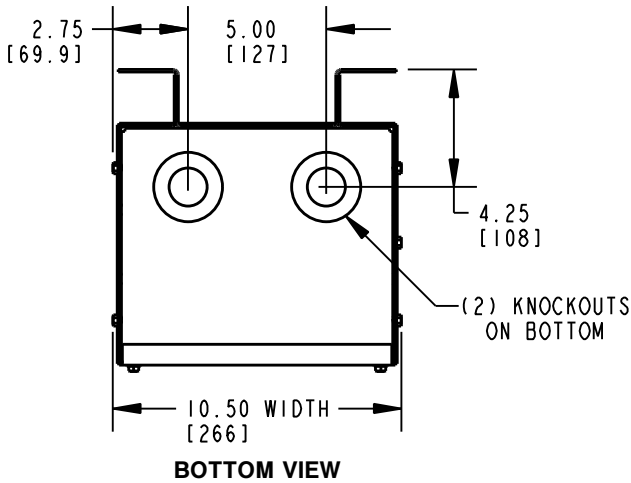
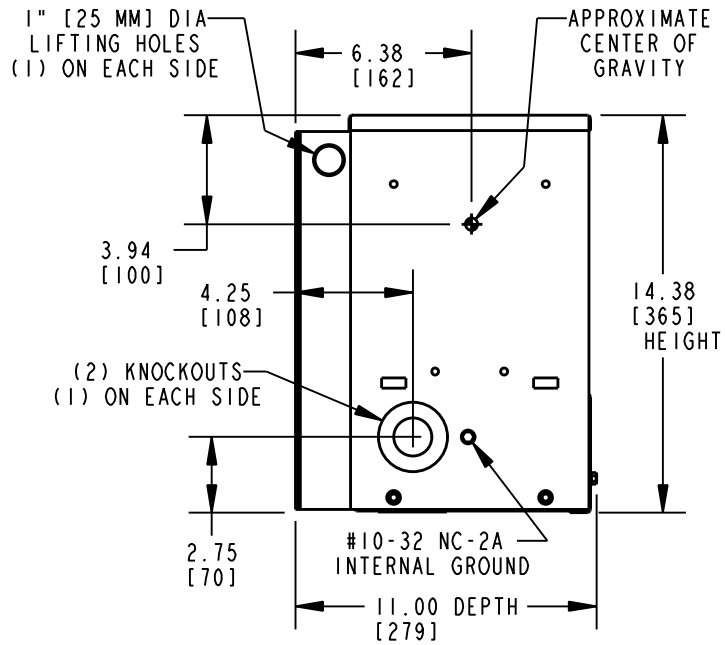


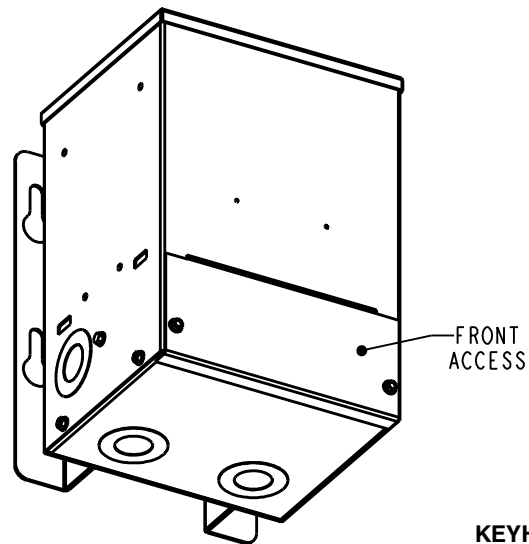
**REAR VIEW**



**SIDE VIEW**



**ISOMETRIC VIEW**

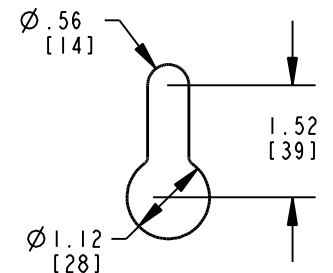


APPROX TOTAL WEIGHT LBS [KG]  
 PAINTED: 100 [45]

kVA RATING:  
 K-FACTOR:  
 PRI VOLTAGE:  
 SEC VOLTAGE:  
 FREQ (Hz):  
 TEMP RISE:  
 WINDING MATL:  
 ES SHIELD:  
 SOUND LVL (dB):

KNOCKOUTS	
CONDUIT SIZE	TOTAL QUANTITY
1" OR 2" [27 OR 53 MM]	5

**KEYHOLE SLOT DETAIL**



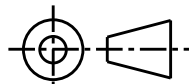
JOB NAME:  
 SPEEDI PROP:

[electrification.us.abb.com](http://electrification.us.abb.com)

CAD DRAWING: 303B923AAP005

UNLESS OTHERWISE SPECIFIED  
 ALL DIMENSIONS ARE INCH [MM]

THIRD ANGLE PROJECTION



SHEET 1 OF 1



**Transformers**

by **ABB**

**DRY TYPE TRANSFORMER OUTLINE DRAWING**  
**TYPE QMS, 1-PHASE**  
**(ENCLOSED INDOOR/OUTDOOR UNIT)**

CATALOG #

REV **4**