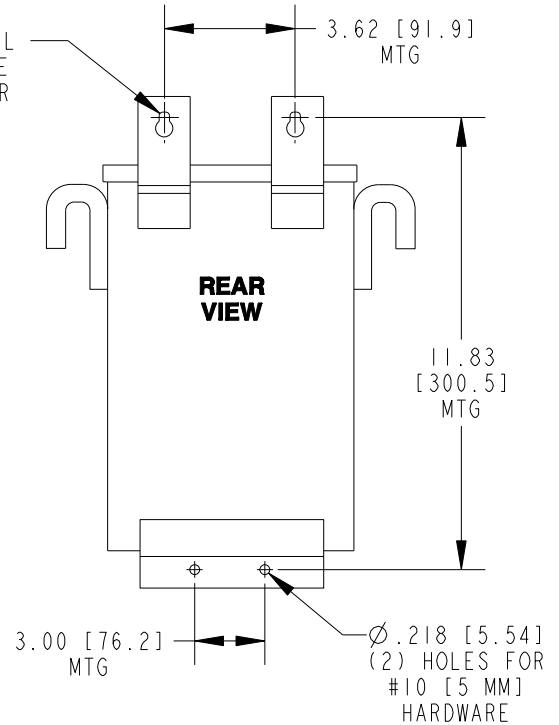


Ø .375 [9.5] SMALL
Ø .750 [19] LARGE
(2) KEYHOLES FOR
Ø 5/16 [8 MM]
HARDWARE



kVA RATING:
K-FACTOR:
PRI VOLTAGE:
SEC VOLTAGE:
FREQ (Hz):
TEMP RISE:
WINDING MATL:
ES SHIELD:
SOUND LVL (dB):

APPROX TOTAL WEIGHT
120 LBS [54 KG]

JOB NAME:

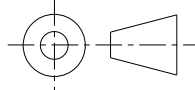
SPEEDI PROP:

UNLESS OTHERWISE SPECIFIED
ALL DIMENSIONS ARE INCH [MM]



GE Energy

THIRD ANGLE PROJECTION



DRY TYPE TRANSFORMER OUTLINE DRAWING
TYPE QMS, 3-PHASE
(ENCLOSED INDOOR/OUTDOOR UNIT)

CAD DRAWING: 303B924AAP006

SHEET 1 OF 1

CATALOG #

REV 14