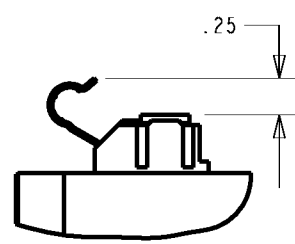
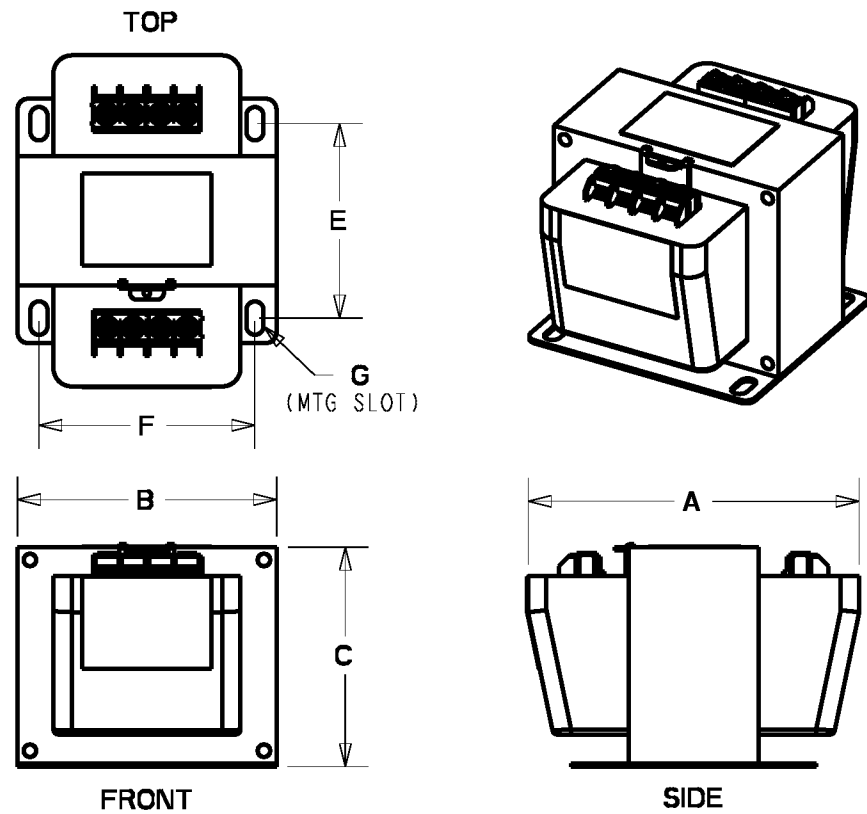
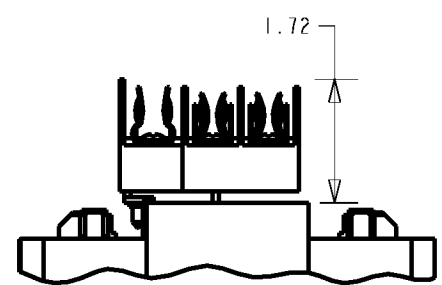


**STYLE AA
(TERMINAL BLOCKS)**



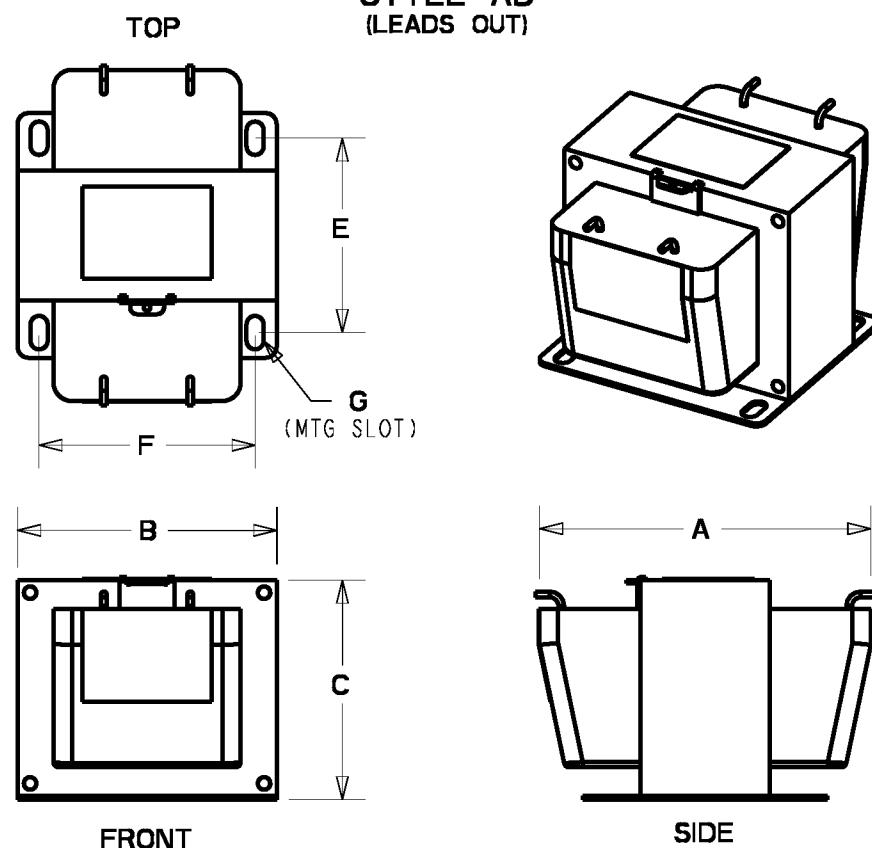
9T58K0000G09 FUSE CLIPS
250 VOLTS, 20 AMPS MAX FOR
1/4" DIA X 1 1/4" FUSES



FUSE BLOCKS
NOTE: FUSE BLOCK OPTION MAY INCLUDE
1, 2, OR 3 POLE FUSE BLOCK

| STYLE | PART | FRAME | REF 60 HZ KVA | APPROX WEIGHT (LBS) | MAXIMUM ENVELOPE | | | MOUNTING | | |
|-------|--------|-------|---------------------|---------------------------|------------------|------------|-------------|------------|------------|-------------|
| | | | | | DEPTH A | WIDTH B | HEIGHT C | DEPTH E | WIDTH F | SLOT G |
| AA | P06100 | 6100 | .050 | 2.6 | 4.00 | 3.06 | 2.68 | 2.16 | 2.50 | .219 X .750 |
| AB | | | | | 3.25 | | | | | |
| AA | P06125 | 6125 | .075 | 3.0 | 4.25 | 3.06 | 2.68 | 2.41 | 2.50 | .219 X .750 |
| AB | | | | | 3.50 | | | | | |
| AA | P06150 | 6150 | .087 | 3.4 | 4.50 | 3.06 | 2.68 | 2.66 | 2.50 | .219 X .750 |
| AB | | | | | 3.75 | | | | | |
| AA | P08100 | 8100 | .100 | 3.9 | 4.12 | 3.81 | 3.28 | 2.16 | 3.12 | .219 X .750 |
| AB | | | | | 3.42 | | | | | |
| AA | P08150 | 8150 | .150 | 5.5 | 4.62 | 3.81 | 3.28 | 2.66 | 3.12 | .219 X .750 |
| AB | | | | | 3.92 | | | | | |
| AA | P08175 | 8175 | .200 | 6.3 | 4.88 | 3.81 | 3.28 | 2.91 | 3.12 | .219 X .750 |
| AB | | | | | 4.18 | | | | | |
| AA | P08200 | 8200 | .250 | 7.0 | 5.12 | 3.81 | 3.28 | 3.16 | 3.12 | .219 X .750 |
| AB | | | | | 4.42 | | | | | |
| AA | P08250 | 8250 | .375 | 8.3 | 5.62 | 3.81 | 3.28 | 3.66 | 3.12 | .219 X .750 |
| AB | | | | | 4.92 | | | | | |
| AA | P10225 | 10225 | .500 | 11.6 | 5.75 | 4.56 | 3.90 | 3.38 | 3.75 | .297 X .580 |
| AB | | | | | | | | | | |
| AA | P12225 | 12225 | .750 | 13.0 | 5.81 | 5.31 | 4.56 | 3.38 | 4.00 | .297 X .580 |
| AB | | | | | | | | | | |
| AA | P12300 | 12300 | 1.00 | 17.5 | 6.56 | 5.31 | 4.56 | 4.13 | 4.00 | .297 X .580 |
| AB | | | | | | | | | | |
| AA | P14225 | 14225 | 1.50 | 29.0 | 6.31 | 6.81 | 5.81 | 3.38 | 5.50 | .297 X .580 |
| AB | | | | | | | | | | |
| AA | P14300 | 14300 | 2.00 | 35.5 | 7.06 | 6.81 | 5.81 | 4.13 | 5.50 | .297 X .580 |
| AB | | | | | | | | | | |
| AA | P14475 | 14475 | 3.00 | 51.5 | 8.81 | 6.81 | 5.81 | 5.88 | 5.50 | .297 X .580 |
| AB | | | | | | | | | | |

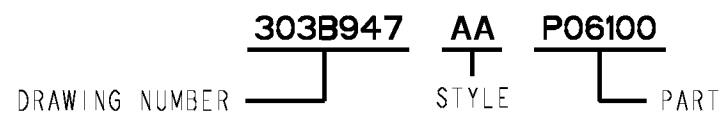
**STYLE AB
(LEADS OUT)**




NOTES:

- 1) STYLE "AA" TRANSFORMERS: RECOMMENDED TERMINAL SCREW TORQUE 6-10 IN LB
- 2) STYLE "AB" TRANSFORMERS: STANDARD LEAD LENGTH IS 10"

**** OUTLINE NUMBERING METHOD ****



 **GE Industrial Systems**

INDUSTRIAL CONTROL TYPE-IP TRANSFORMERS
DRY-TYPE, SINGLE-PHASE, CORE-AND-COIL TRANSFORMERS
FOR CONTROL, MACHINE TOOL, AND POWER APPLICATIONS
UL LISTED - CSA CERTIFIED

| | | | | |
|------------------|------------------|------|----------------------------------|-----------------|
| DATE 10/15/01 | REV LEVEL 002 | DIST | DRAWING NUMBER 303B947 | SHEET 1 OF 1 |
|------------------|------------------|------|----------------------------------|-----------------|