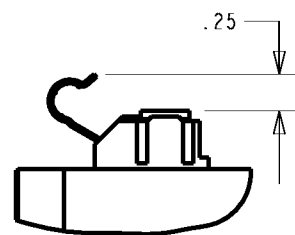
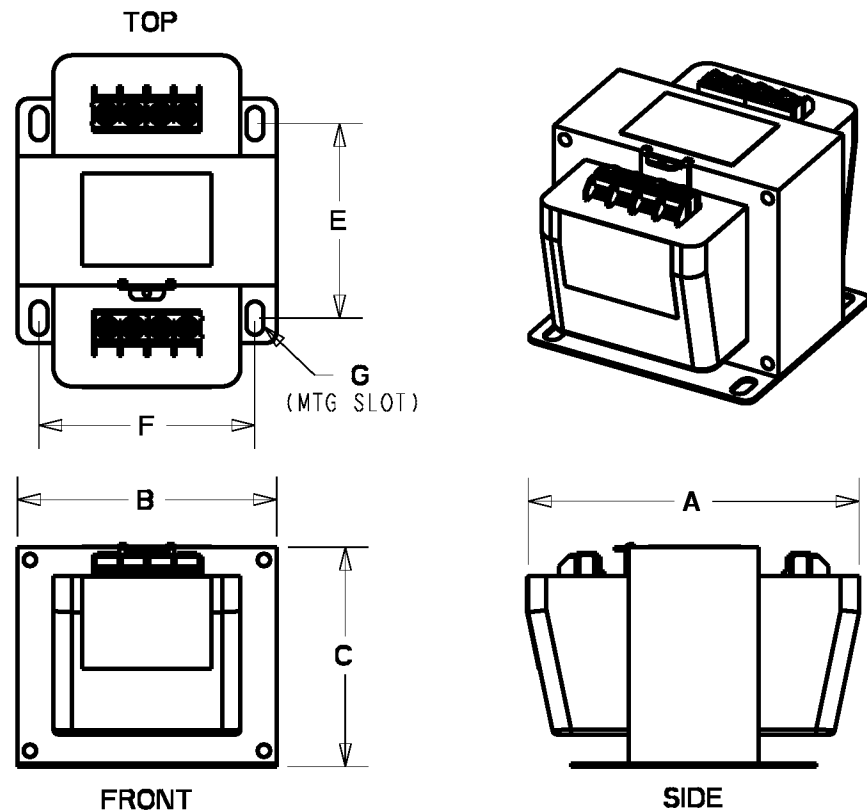
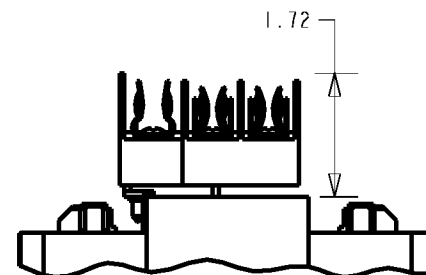


**STYLE AA  
(TERMINAL BLOCKS)**



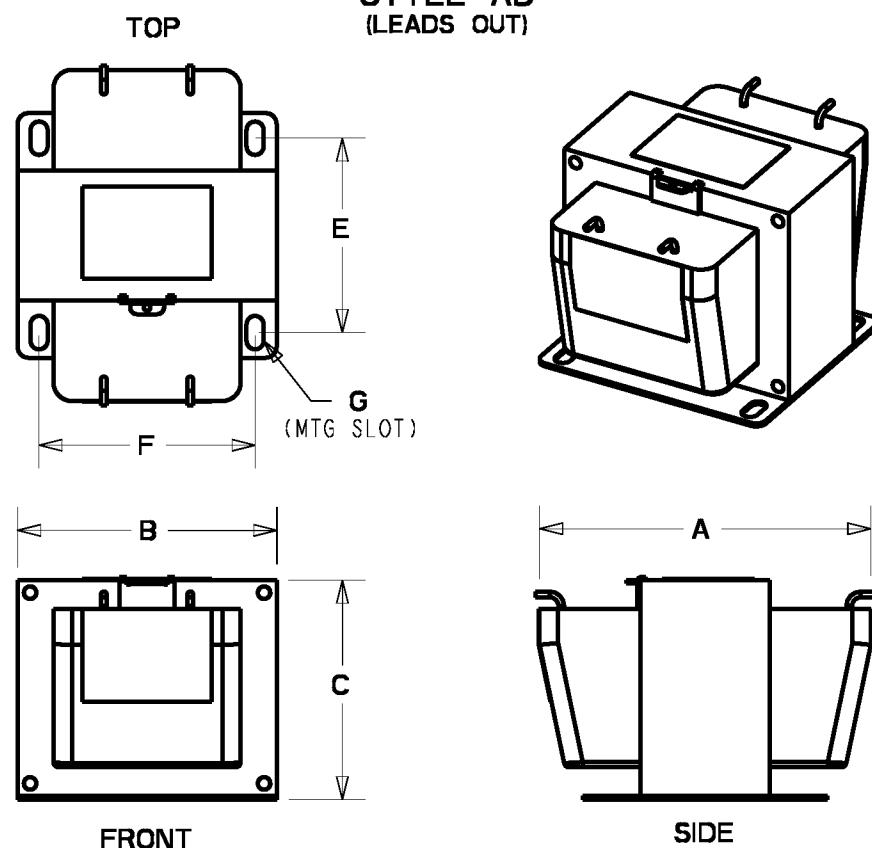
**9T58K0000G09 FUSE CLIPS**  
250 VOLTS, 20 AMPS MAX FOR  
1/4" DIA X 1 1/4" FUSES



**FUSE BLOCKS**  
NOTE: FUSE BLOCK OPTION MAY INCLUDE  
1, 2, OR 3 POLE FUSE BLOCK

| STYLE | PART   | FRAME | REF<br>60 HZ<br>KVA | APPROX<br>WEIGHT<br>(LBS) | MAXIMUM ENVELOPE |            |             | MOUNTING   |            |             |
|-------|--------|-------|---------------------|---------------------------|------------------|------------|-------------|------------|------------|-------------|
|       |        |       |                     |                           | DEPTH<br>A       | WIDTH<br>B | HEIGHT<br>C | DEPTH<br>E | WIDTH<br>F | SLOT<br>G   |
| AA    | P06100 | 6100  | .050                | 2.6                       | 4.00             | 3.06       | 2.68        | 2.16       | 2.50       | .219 X .750 |
| AB    |        |       |                     |                           | 3.25             |            |             |            |            |             |
| AA    | P06125 | 6125  | .075                | 3.0                       | 4.25             | 3.06       | 2.68        | 2.41       | 2.50       | .219 X .750 |
| AB    |        |       |                     |                           | 3.50             |            |             |            |            |             |
| AA    | P06150 | 6150  | .087                | 3.4                       | 4.50             | 3.06       | 2.68        | 2.66       | 2.50       | .219 X .750 |
| AB    |        |       |                     |                           | 3.75             |            |             |            |            |             |
| AA    | P08100 | 8100  | .100                | 3.9                       | 4.12             | 3.81       | 3.28        | 2.16       | 3.12       | .219 X .750 |
| AB    |        |       |                     |                           | 3.42             |            |             |            |            |             |
| AA    | P08150 | 8150  | .150                | 5.5                       | 4.62             | 3.81       | 3.28        | 2.66       | 3.12       | .219 X .750 |
| AB    |        |       |                     |                           | 3.92             |            |             |            |            |             |
| AA    | P08175 | 8175  | .200                | 6.3                       | 4.88             | 3.81       | 3.28        | 2.91       | 3.12       | .219 X .750 |
| AB    |        |       |                     |                           | 4.18             |            |             |            |            |             |
| AA    | P08200 | 8200  | .250                | 7.0                       | 5.12             | 3.81       | 3.28        | 3.16       | 3.12       | .219 X .750 |
| AB    |        |       |                     |                           | 4.42             |            |             |            |            |             |
| AA    | P08250 | 8250  | .375                | 8.3                       | 5.62             | 3.81       | 3.28        | 3.66       | 3.12       | .219 X .750 |
| AB    |        |       |                     |                           | 4.92             |            |             |            |            |             |
| AA    | P10225 | 10225 | .500                | 11.6                      | 5.75             | 4.56       | 3.90        | 3.38       | 3.75       | .297 X .580 |
| AB    |        |       |                     |                           |                  |            |             |            |            |             |
| AA    | P12225 | 12225 | .750                | 13.0                      | 5.81             | 5.31       | 4.56        | 3.38       | 4.00       | .297 X .580 |
| AB    |        |       |                     |                           |                  |            |             |            |            |             |
| AA    | P12300 | 12300 | 1.00                | 17.5                      | 6.56             | 5.31       | 4.56        | 4.13       | 4.00       | .297 X .580 |
| AB    |        |       |                     |                           |                  |            |             |            |            |             |
| AA    | P14225 | 14225 | 1.50                | 29.0                      | 6.31             | 6.81       | 5.81        | 3.38       | 5.50       | .297 X .580 |
| AB    |        |       |                     |                           |                  |            |             |            |            |             |
| AA    | P14300 | 14300 | 2.00                | 35.5                      | 7.06             | 6.81       | 5.81        | 4.13       | 5.50       | .297 X .580 |
| AB    |        |       |                     |                           |                  |            |             |            |            |             |
| AA    | P14475 | 14475 | 3.00                | 51.5                      | 8.81             | 6.81       | 5.81        | 5.88       | 5.50       | .297 X .580 |
| AB    |        |       |                     |                           |                  |            |             |            |            |             |

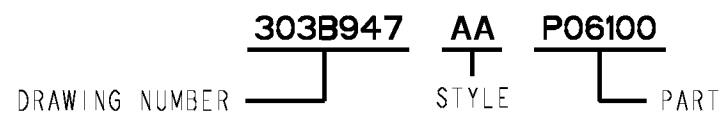
**STYLE AB  
(LEADS OUT)**




**NOTES:**

- 1) STYLE "AA" TRANSFORMERS: RECOMMENDED TERMINAL SCREW TORQUE 6-10 IN LB
- 2) STYLE "AB" TRANSFORMERS: STANDARD LEAD LENGTH IS 10"

**\*\* OUTLINE NUMBERING METHOD \*\***



 **GE Industrial Systems**

**INDUSTRIAL CONTROL TYPE-IP TRANSFORMERS**  
DRY-TYPE, SINGLE-PHASE, CORE-AND-COIL TRANSFORMERS  
FOR CONTROL, MACHINE TOOL, AND POWER APPLICATIONS  
UL LISTED - CSA CERTIFIED

|                  |                  |      |                                  |                 |
|------------------|------------------|------|----------------------------------|-----------------|
| DATE<br>10/15/01 | REV LEVEL<br>002 | DIST | DRAWING NUMBER<br><b>303B947</b> | SHEET<br>1 OF 1 |
|------------------|------------------|------|----------------------------------|-----------------|