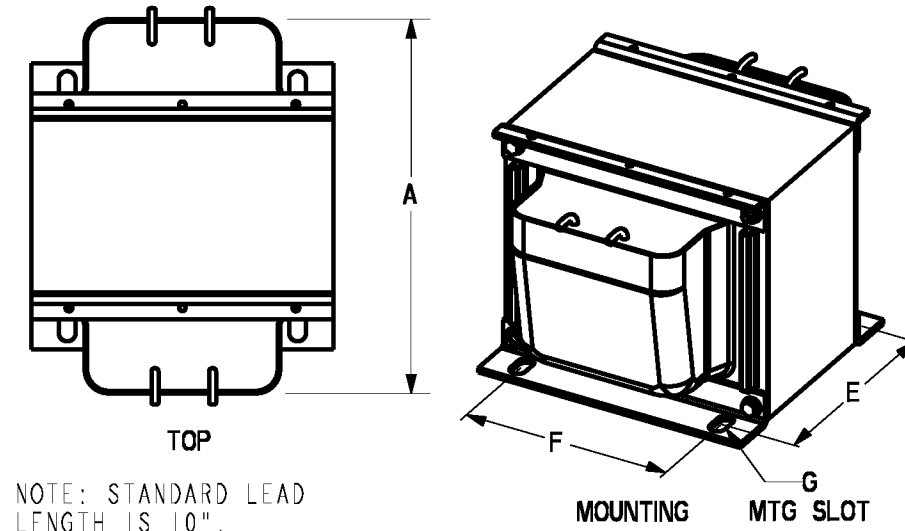
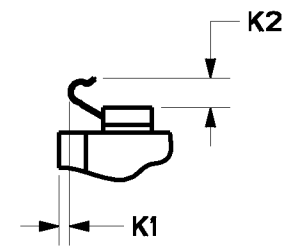


**STYLE AA**  
(STANDARD TERMINAL BLOCKS)

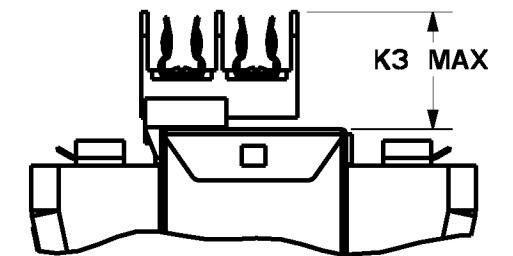


**STYLE AB**  
(LEADS OUT)



**9T58K0000G09**  
**FUSE CLIPS**

250 VOLTS, 20 AMPS MAX FOR  
1/4" DIA X 1 1/4" FUSES



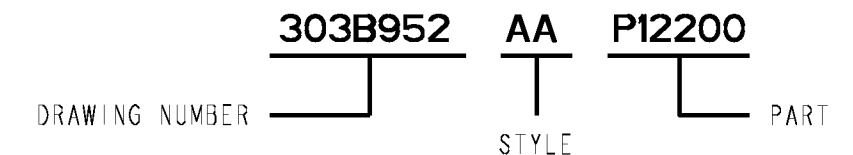
**FUSE BLOCKS**

NOTE: FUSE BLOCK OPTION MAY INCLUDE  
1, 2 OR 3 POLE FUSE BLOCK

FRAME SERIES	K1	K2	K3
1200-1400	.09	.39	1.78

PART	FRAME	REF 60 Hz KVA	APPROX WEIGHT (LBS)	MAXIMUM ENVELOPE			MOUNTING		
				DEPTH	WIDTH	HEIGHT	DEPTH	WIDTH	SLOT
				A	B	C	E	F	G
PI2200	12200	--	11.5	5.56	5.31	4.62	3.12	4.00	.297X.580
PI2225	12225	75	13.0	5.81	5.31	4.62	3.38	4.00	.297X.580
PI2275	12275	--	16.0	6.31	5.31	4.62	3.88	4.00	.297X.580
PI2300	12300	1.00	17.5	6.56	5.31	4.62	4.12	4.00	.297X.580
PI4200	14200	--	26.8	6.06	6.81	5.88	3.12	5.50	.297X.580
PI4225	14225	1.50	29.0	6.31	6.81	5.88	3.38	5.50	.297X.580
PI4250	14250	--	31.2	6.56	6.81	5.88	3.62	5.50	.297X.580
PI4300	14300	2.00	35.5	7.06	6.81	5.88	4.12	5.50	.297X.580
PI4350	14350	--	40.2	7.56	6.81	5.88	4.62	5.50	.297X.580
PI4400	14400	--	44.08	8.06	6.81	5.88	5.12	5.50	.297X.580
PI4475	14475	3.00	51.5	8.81	6.81	5.88	5.88	5.50	.297X.580

\*\* OUTLINE NUMBERING METHOD \*\*



**GE Electrical Distribution and Control**

**INDUSTRIAL CONTROL TRANSFORMERS**  
**TYPE IP - STANDARD MOUNTING PLATE OPTION**  
DRY-TYPE, SINGLE-PHASE, CORE-AND-COIL TRANSFORMER FOR CONTROL  
MACHINE TOOL, AND POWER APPLICATIONS UL LISTED - CSA CERTIFIED

DATE 08/06/99	REV LEVEL 002	DIST T301	DRAWING NUMBER <b>303B952</b>	SHEET 1 OF 1
------------------	------------------	--------------	----------------------------------	-----------------