

Notes:

1. GE's RPA technology allows up to (8) eight UPS modules to be paralleled for redundancy or capacity. Four (4) UPS modules are shown. Size output switchgear accordingly.
2. Standard systems rated 65kAIC. 100kAIC option available.
3. Ratings shown for 100% rated circuit breakers.
4. UPS system must be fed from a grounded-wye source.
5. UPS modules require optional 3-wire kit if input feeder circuits are 3-wire (no neutral).
6. Output switchgear must include neutral bus for proper UPS operation.

GE Digital Energy reserves the right to change or update, without notice, any technical information in this sheet

*** TABLE 1:**

# OF UPS MODULES	MBB & SIB BREAKER FRAME SIZE (AMPS)	
	N+1 CONFIG.	N+2 CONFIG.
1	n/a	n/a
2	1,000	n/a
3	2,000	1,000
4	3,000	2,000
5	4,000	3,000
6	5,000	4,000
7	Consult Factory	
8	Consult Factory	

GENERAL ELECTRIC COMPANY

GE Power Quality

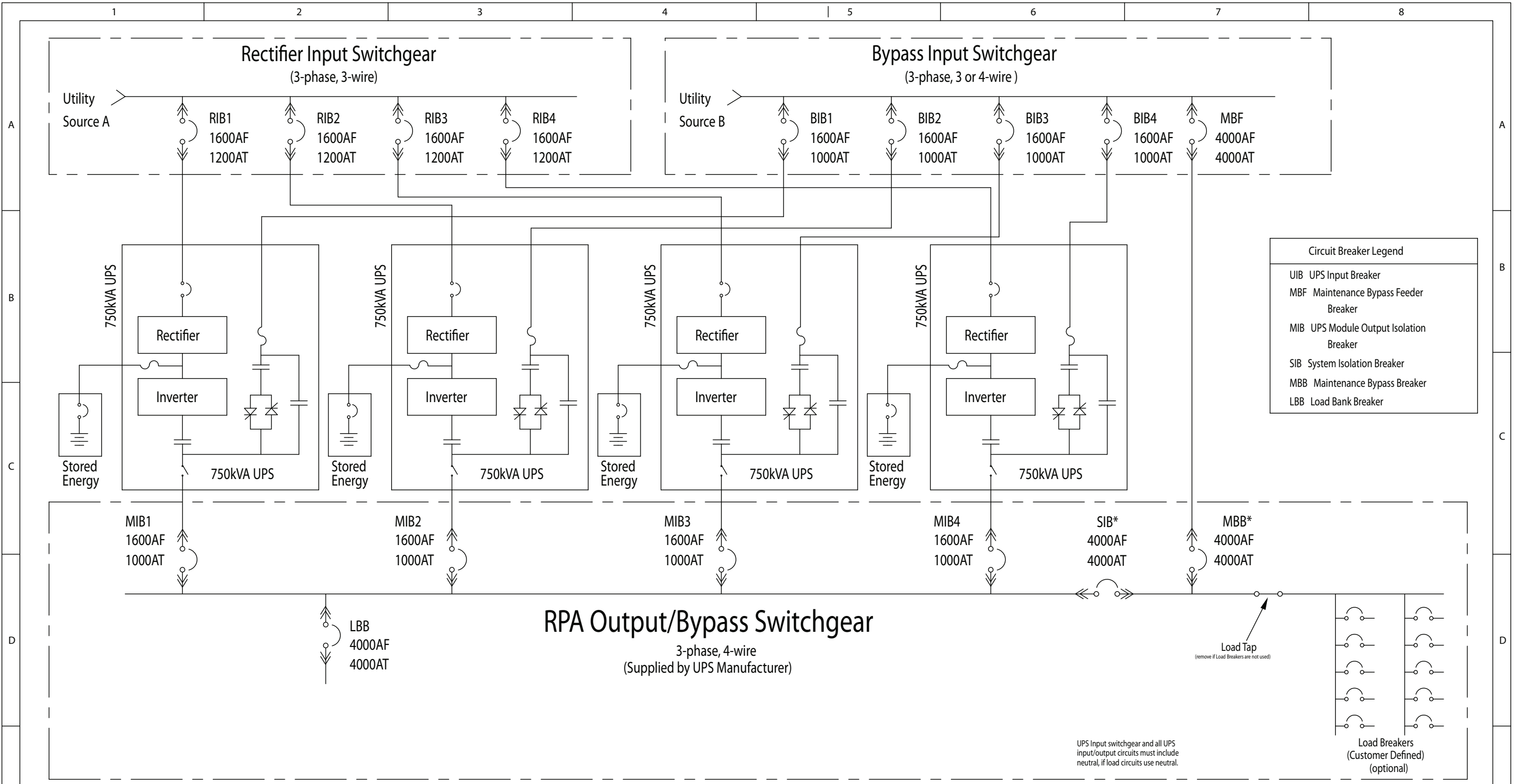
Typical Single Input RPA System Configuration

DIGITAL ENERGY

SG SERIES 750kVA UPS

FIRST MADE FOR: ---

SIZE A	CAGE CODE ---	DWG NO 446124	Revision
SCALE: -	DWG Date 11/5/2007	SHEET 1 of 2	A



Circuit Breaker Legend

- UIB UPS Input Breaker
- MBF Maintenance Bypass Feeder Breaker
- MIB UPS Module Output Isolation Breaker
- SIB System Isolation Breaker
- MBB Maintenance Bypass Breaker
- LBB Load Bank Breaker

RPA Output/Bypass Switchgear
3-phase, 4-wire
(Supplied by UPS Manufacturer)

UPS Input switchgear and all UPS input/output circuits must include neutral, if load circuits use neutral.

Load Breakers (Customer Defined) (optional)

- Notes:**
1. GE's RPA technology allows up to (8) eight UPS modules to be paralleled for redundancy or capacity. Four (4) UPS modules are shown. Size output switchgear accordingly.
 2. Standard systems rated 65kAIC. 100kAIC option available.
 3. Ratings shown for 100% rated circuit breakers.
 4. UPS system must be fed from a grounded-wye source.
 5. UPS modules require optional 3-wire kit if input feeder circuits are 3-wire (no neutral).
 6. Output switchgear must include neutral bus for proper UPS operation.

*** TABLE 1:**

# OF UPS MODULES	MBB & SIB BREAKER FRAME SIZE (AMPS)	
	N+1 CONFIG.	N+2 CONFIG.
1	n/a	n/a
2	1,000	n/a
3	2,000	1,000
4	3,000	2,000
5	4,000	3,000
6	5,000	4,000
7	Consult Factory	
8	Consult Factory	

GE Power Quality **GENERAL ELECTRIC COMPANY**

Typical Dual Input RPA System Configuration
DIGITAL ENERGY
SG SERIES 750kVA UPS

FIRST MADE FOR: ---

SIZE A	CAGE CODE ---	DWG NO 446124	Revision
SCALE: -	DWG Date	11/5/2007	SHEET 2 of 2

GE Digital Energy reserves the right to change or update, without notice, any technical information in this sheet