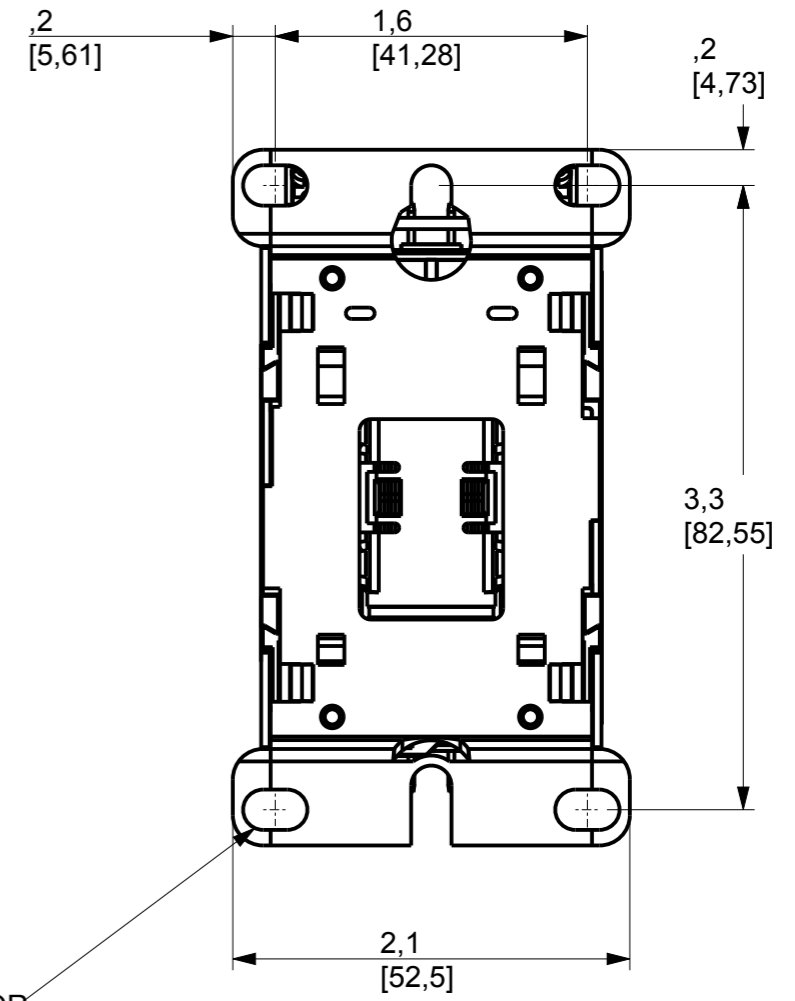
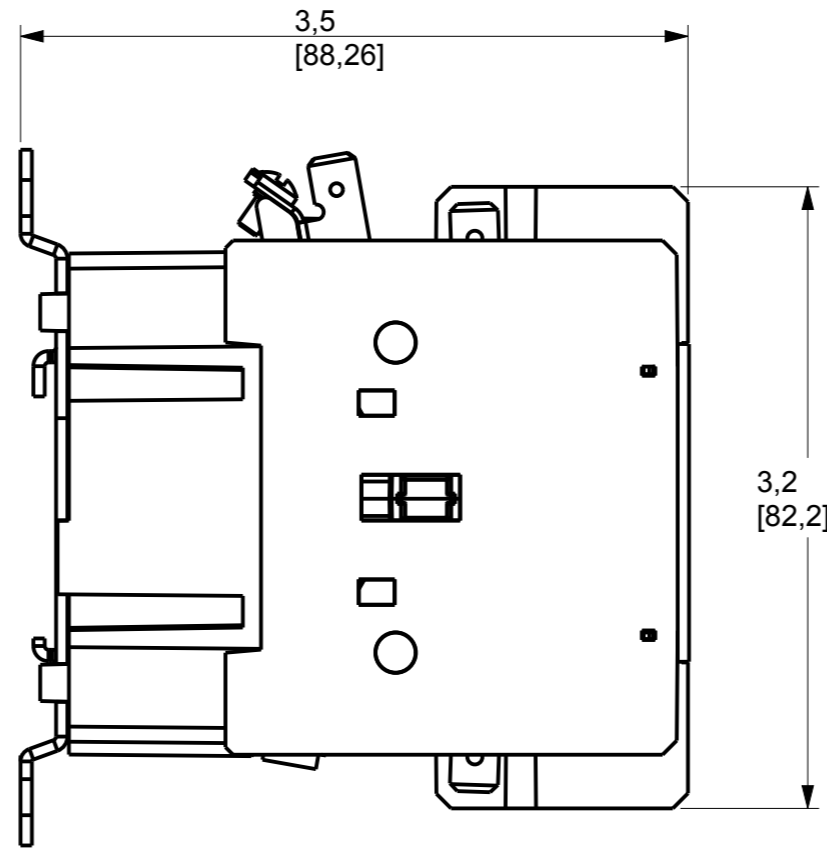
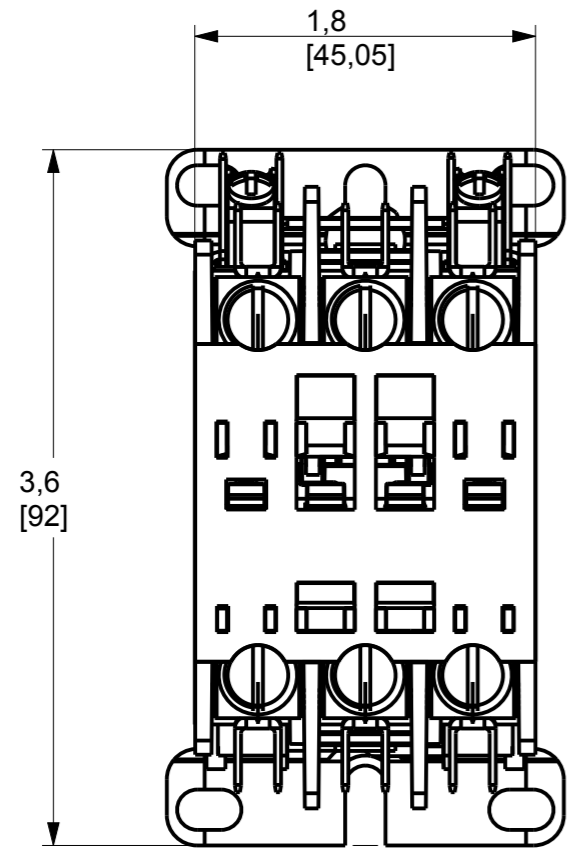


GEPC INTRALINK DATABASE INFO - FOR INTERNAL USE ONLY	
DRAWING FILE NAME:	OBJECT RELATED INFORMATION
TERES_45010102XX_00_00	REVISION
OBJECT FILE NAME:	STATUS:
TERES_45010027XX_00_00	13
	Design



MOUNTING HOLES FOR #10 SCREWS (6 PLACES)

GE PROPRIETARY AND CONFIDENTIAL INFORMATION: This document is the property of General Electric Company and is not to be distributed, copied, or used in any way without the express written consent of GE Energy. This document shall be returned to GE upon its request. This document may be subject to certain restrictions under U.S. export control laws and regulations.

DUAL DIMENSIONS INCHES/MILLIMETERS

Article or Material Must Conform to REACH Procedure SI900000 Sec.14
 Article or Material Must Conform to ROHS Procedure SI900000 Sec.13
 Part Must Conform to SI900000 Sec.4 Toxicity Procedure

REVISION	DESCRIPTION	DATE	NAME	CHECKED	APPROVED	ECN NO
01	First Issue		S.Rivadeneira			-
REMARK	DESCRIPTION					
PRODUCT			MATERIAL		POST TREATMENT	
ID	ID 6/8 DIG	DESCRIPTION	REM ID	DESCRIPTION	REM	DESCRIPTION
45010027_00_00						
UNLESS OTHERWISE SPECIFIED				CTQ	PROJECTION	
TOL DIMENSIONS	TOL ANGLE	FILLET & TOL	DRAFT ANGLE	OTHERS	Scale 1:1	ASSEMBLY:
					UNIT: in	SUPERSEDES:
				LOCAL FAM TITLE DP25 3 Poles Outline drw. CR-553A DP25 3 Poles Outline drw.		TERES_45010027XX_00_00 CAD FILE SIZE PAGE OF DRAW NO A3 1 1 450B10102GXX