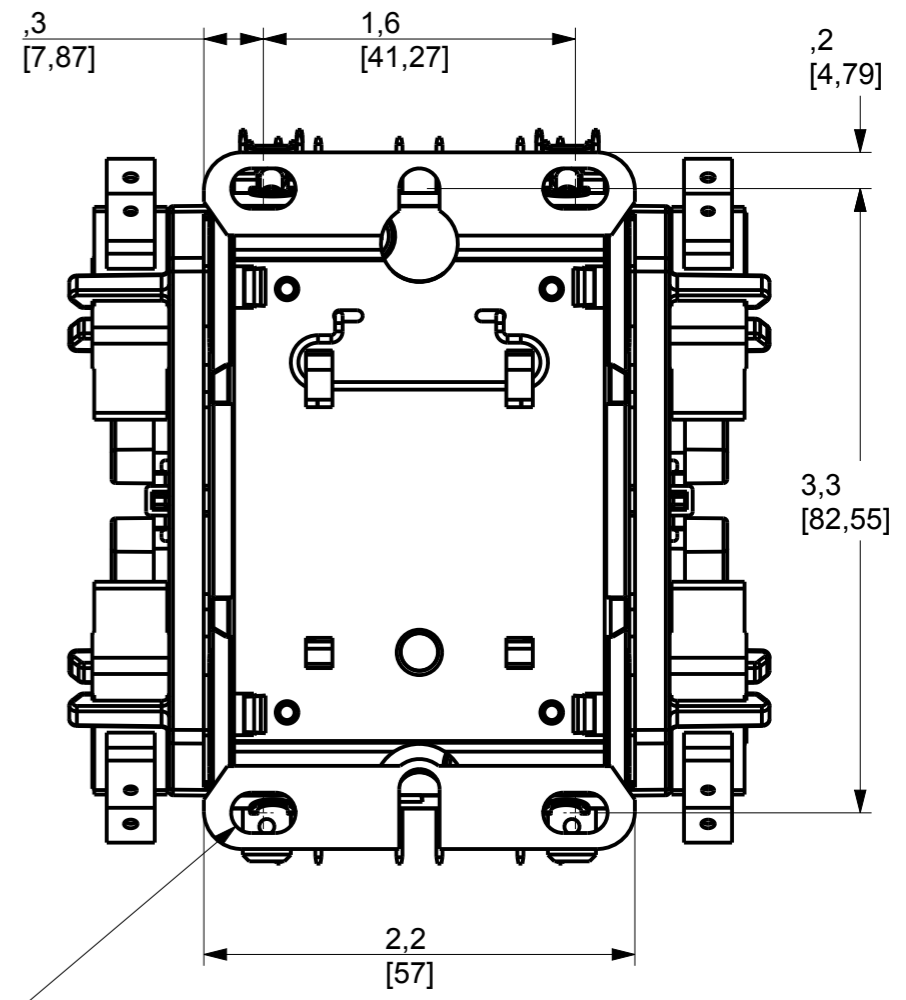
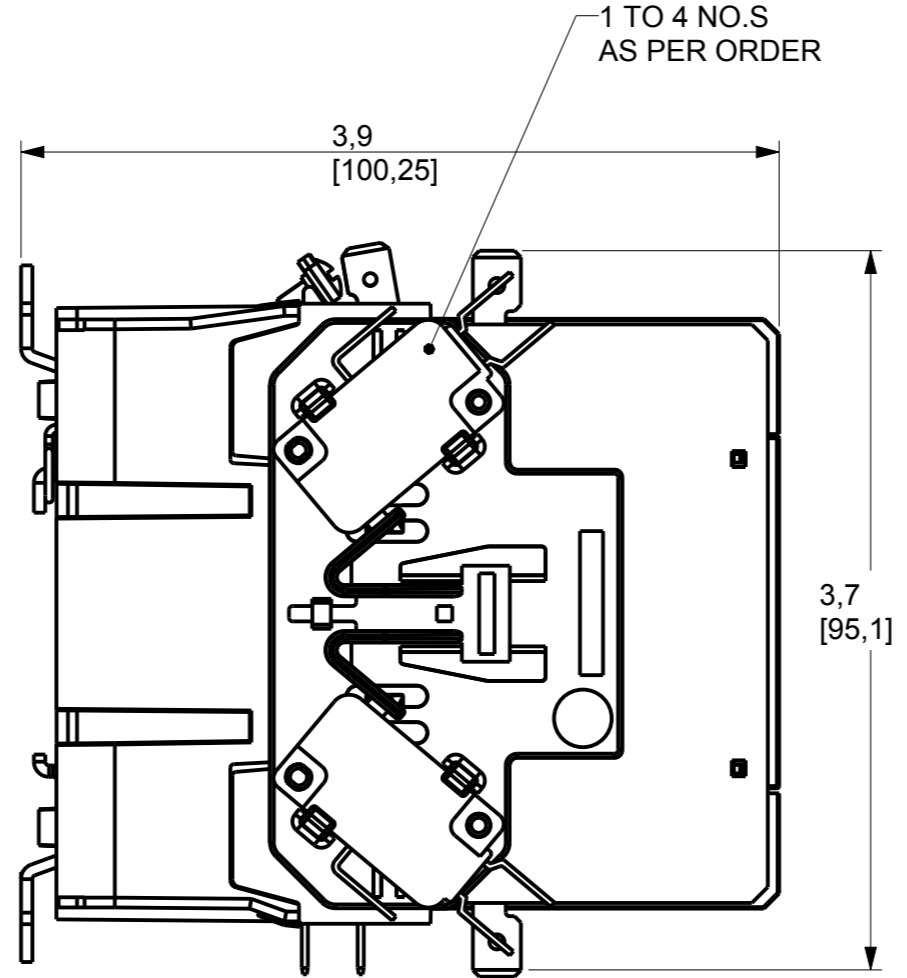
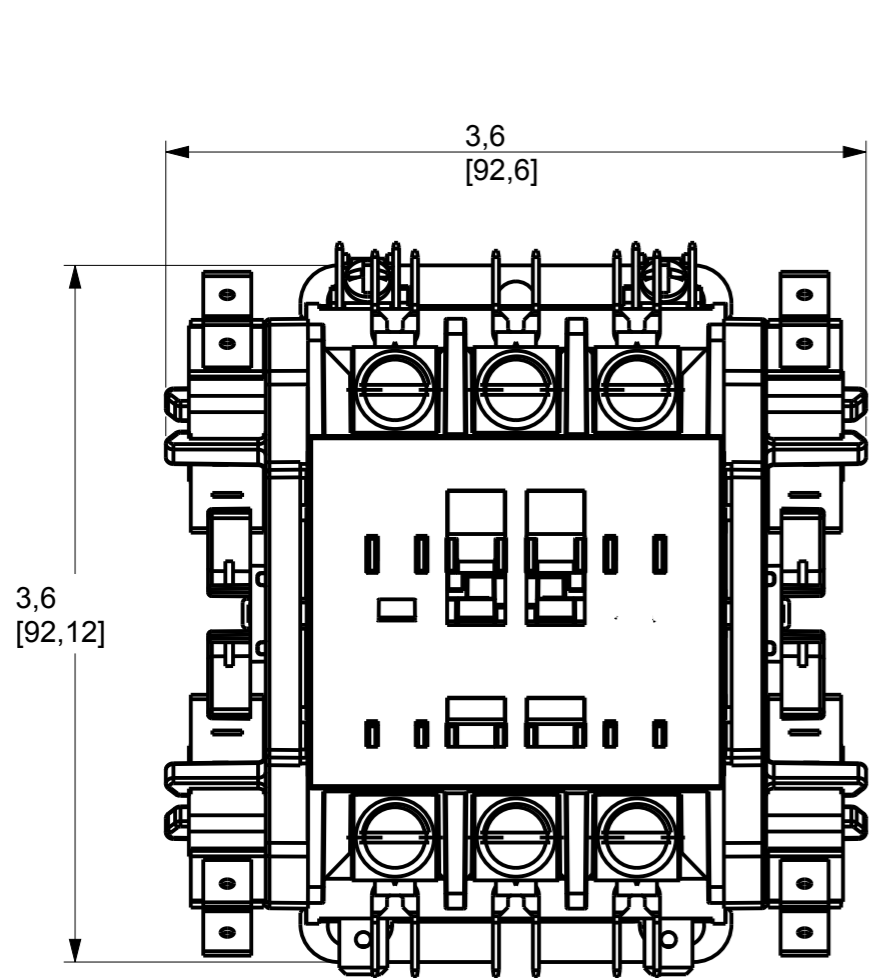


GEPC INTRALINK DATABASE INFO - FOR INTERNAL USE ONLY	
DRAWING FILE NAME:	OBJECT RELATED INFORMATION
TERES_45010103XX_00_00	REVISION / VERSION
TERES_45010103XX_00_00	STATUS:
TERES_45010103XX_00_00	1
TERES_45010103XX_00_00	COM:
TERES_45010103XX_00_00	1
TERES_45010103XX_00_00	Production



MOUNTING HOLES FOR #10 SCREWS (6 PLACES)

DUAL DIMENSIONS INCHES/MILLIMETERS

GE PROPRIETARY AND CONFIDENTIAL INFORMATION: This document is the property of General Electric Company. It is to be used only for the specific purpose intended and is not to be distributed, copied, or reproduced in any form without the express written consent of GE Energy. This document shall be returned to GE upon its request. This document may be subject to certain restrictions under U.S. export control laws and regulations.

Article or Material Must Conform to REACH Procedure SI900000 Sec.14  
 Article or Material Must Conform to ROHS Procedure SI900000 Sec.13  
 Part Must Conform to SI900000 Sec.4 Toxicity Procedure

REVISION	DESCRIPTION	DATE	NAME	CHECKED	APPROVED	ECN NO
01	First Issue	21-Apr-15	S.Rivadeneira			-
REMARK	DESCRIPTION					
PRODUCT	MATERIAL			POST TREATMENT		
ID	ID 6/8 DIG	DESCRIPTION	REM ID	DESCRIPTION	REM	DESCRIPTION
-	-					
UNLESS OTHERWISE SPECIFIED				CTQ	PROJECTION ASSEMBLY:	
TOL DIMENSIONS	TOL ANGLE	FILLET & TOL	DRAFT ANGLE	OTHERS	Scale 1:1	SUPERSEDES:
					UNIT: in	SUPERSEDED BY:
				TITLE DP40 250V Aux Outline drw. LOCAL FAM CR-553A DP40 250V Aux Outline drw.		TERES_45010103XX_00_00 CAD FILE SIZE PAGE OF DRAW NO A3 1 1 450B10103GXX