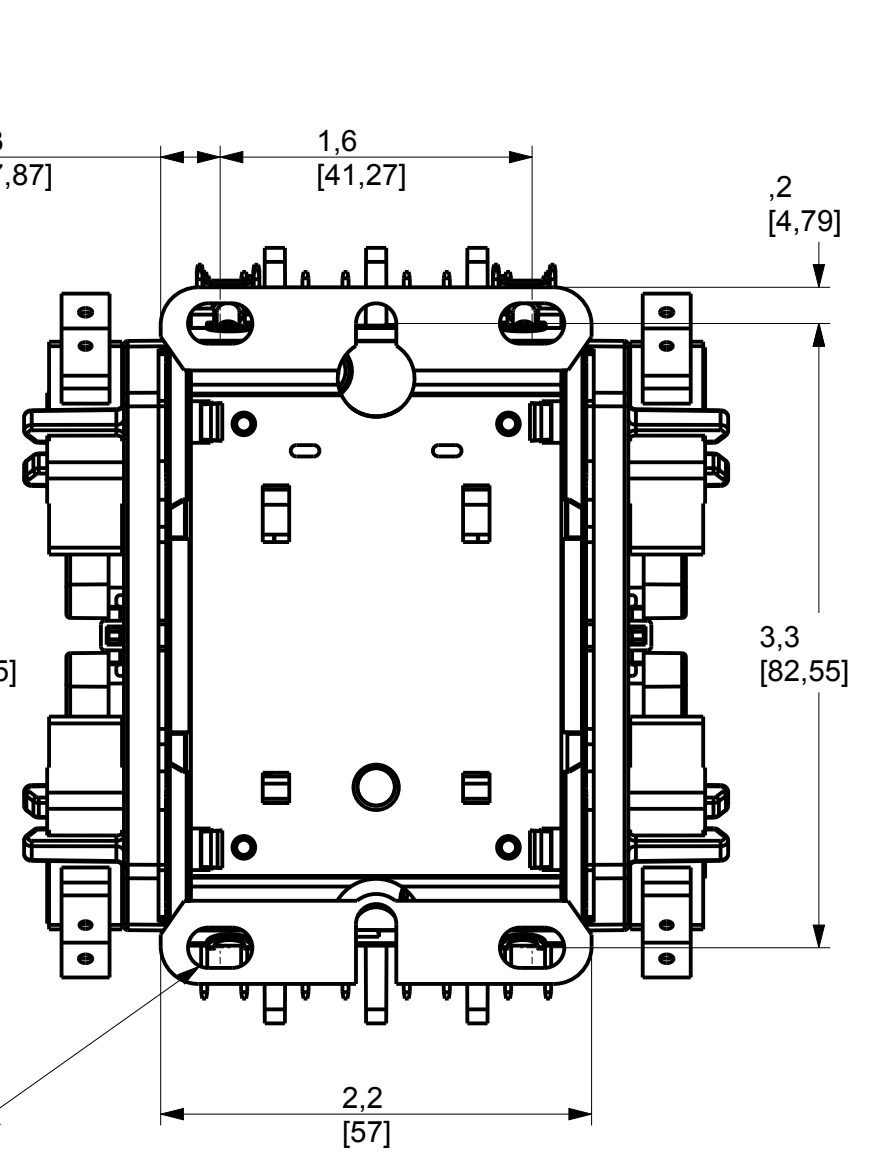
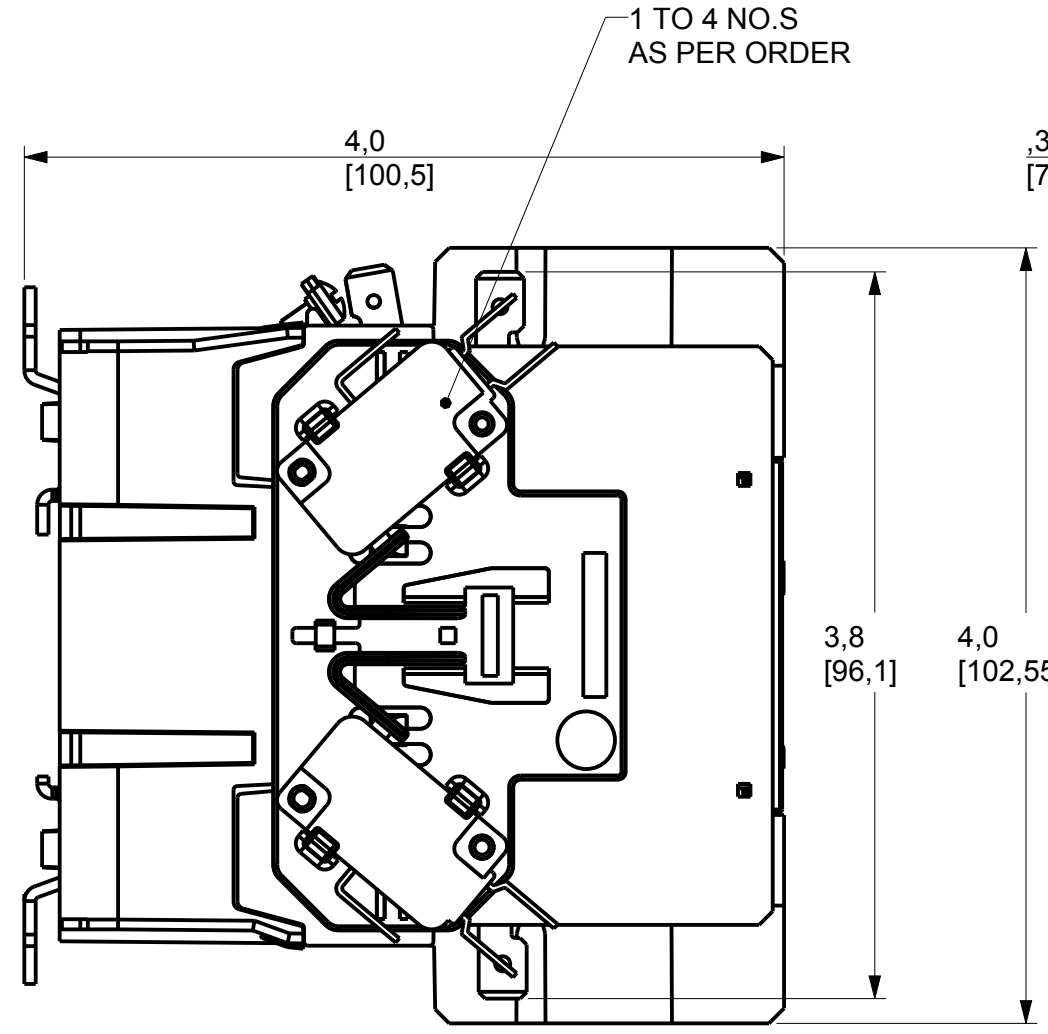
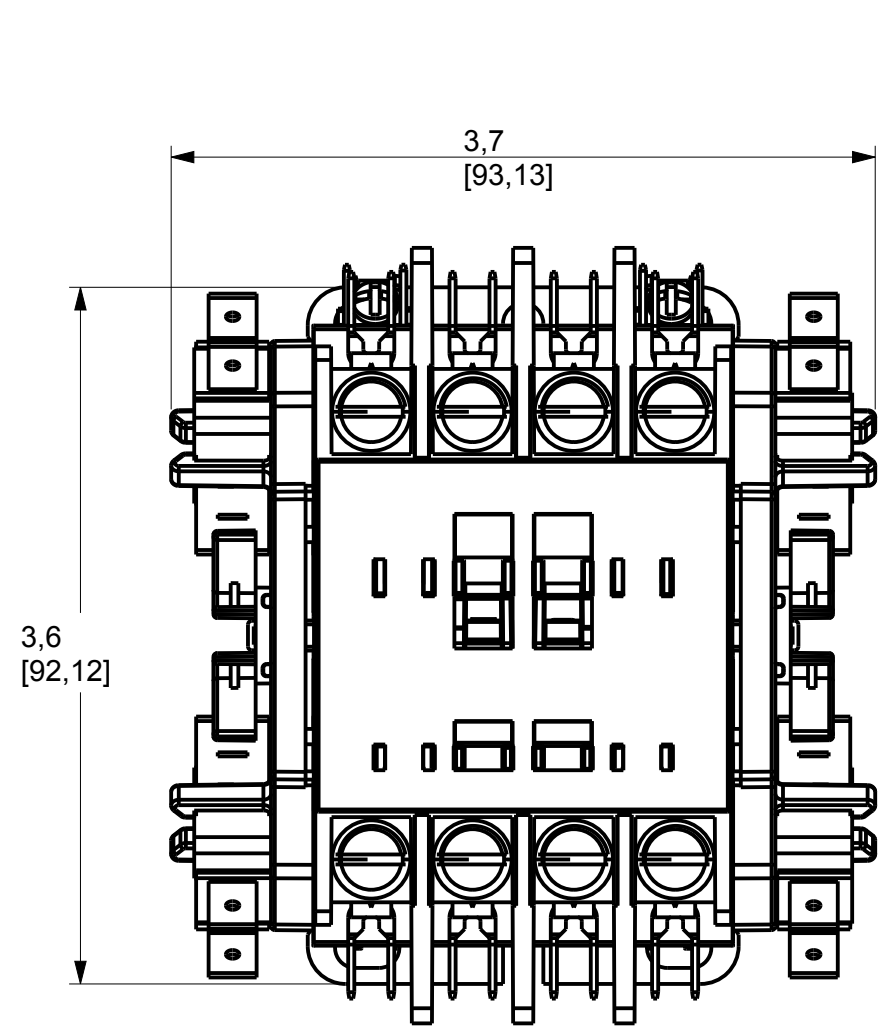


GEPIC INTRALINK DATABASE INFO - FOR INTERNAL USE ONLY			
DRAWING FILE NAME:	OBJECT RELATED INFORMATION	REVISION	VERSION
TERES_45010105XX_00_00		1	1
OBJECT FILE NAME:	SYS:	COM:	
TERES_45010105XX_00_00	1	1	
			Create

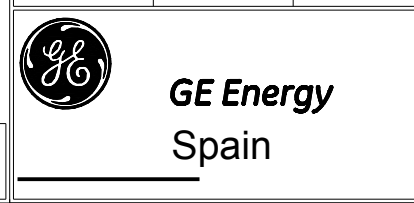


DUAL DIMENSIONS INCHES/MILLIMETERS

GE PROPRIETARY AND CONFIDENTIAL INFORMATION: This document is the property of General Electric Company and is not to be distributed, copied, or used in any way without the express written consent of GE Energy. This document shall be returned to GE upon its request. This document may be subject to certain restrictions under U.S. export control laws and regulations.

Article or Material Must Conform to REACH Procedure SI900000 Sec.14
 Article or Material Must Conform to ROHS Procedure SI900000 Sec.13
 Part Must Conform to SI900000 Sec.4 Toxicity Procedure

REVISION	DESCRIPTION	DATE	NAME	CHECKED	APPROVED	ECN NO
01	First Issue	22-Apr-15	S.Rivadeneira	-	-	-
REMARK	DESCRIPTION					
-	-					
PRODUCT			MATERIAL		POST TREATMENT	
ID	ID 6/8 DIG	DESCRIPTION	REM ID	DESCRIPTION	REM	DESCRIPTION
-	-	-	-	-	-	-
UNLESS OTHERWISE SPECIFIED				CTQ	PROJECTION ASSEMBLY: assembly_no	
TOL DIMENSIONS	TOL ANGLE	FILLET & TOL	DRAFT ANGLE	OTHERS	0	Scale 1:1
ISO2768m	ISO2768c	-	-	-	UNIT: mm	PROJECTION ASSEMBLY: SUPERSEDES: SUPERSEDED BY:



LOCAL FAM TITLE
 DP25/30/40 4Poles 250V Aux. Outline
 CR-553A
 DP25/30/40 4Poles 250V Aux. Outline

TERES_45010105XX_00_00			
CAD FILE	SIZE	PAGE	OF
DRAW NO	A3	1	1
450B10105GXX			