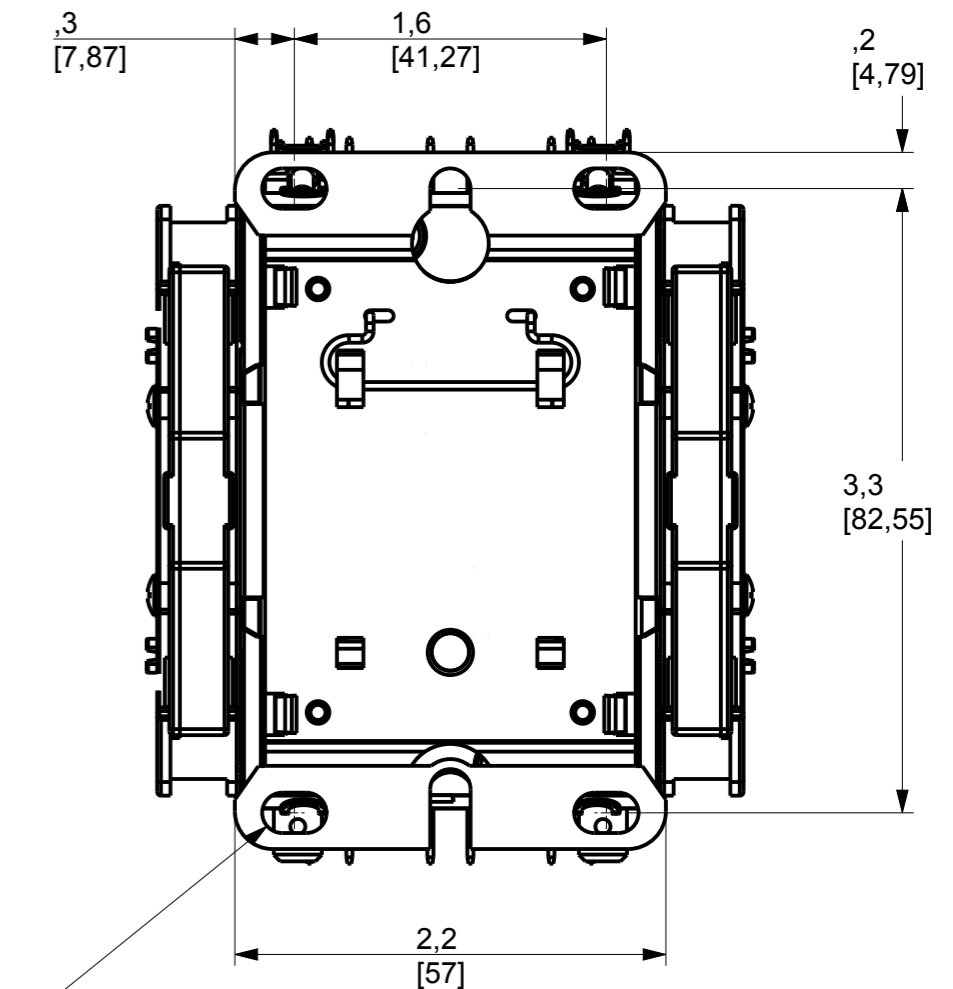
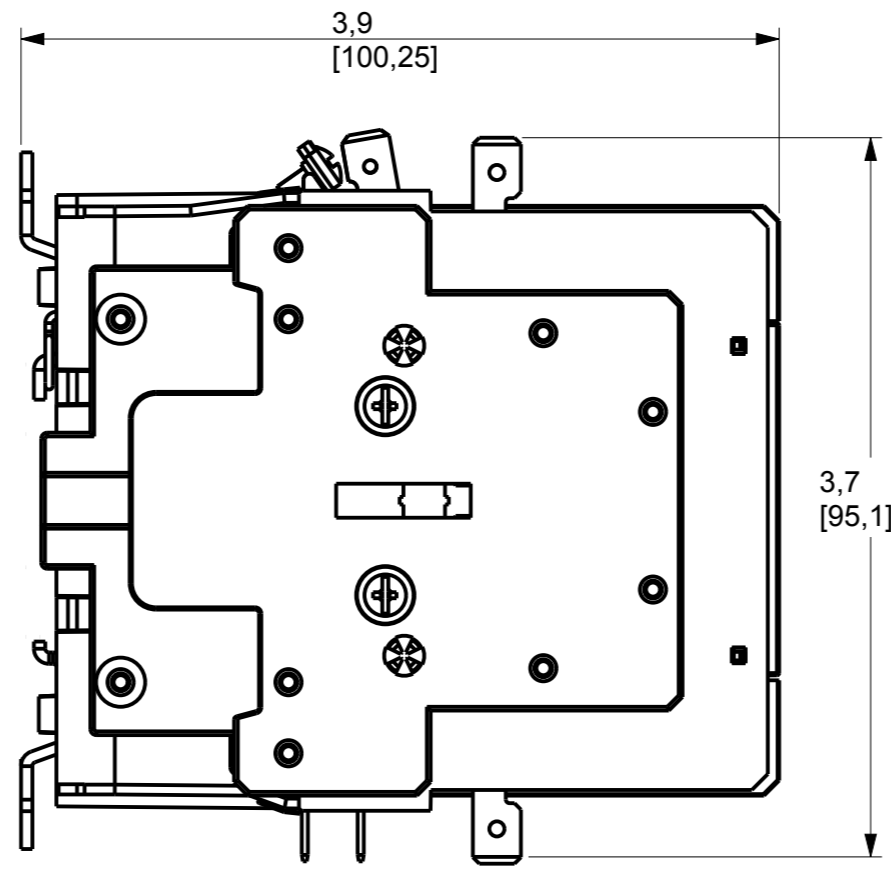
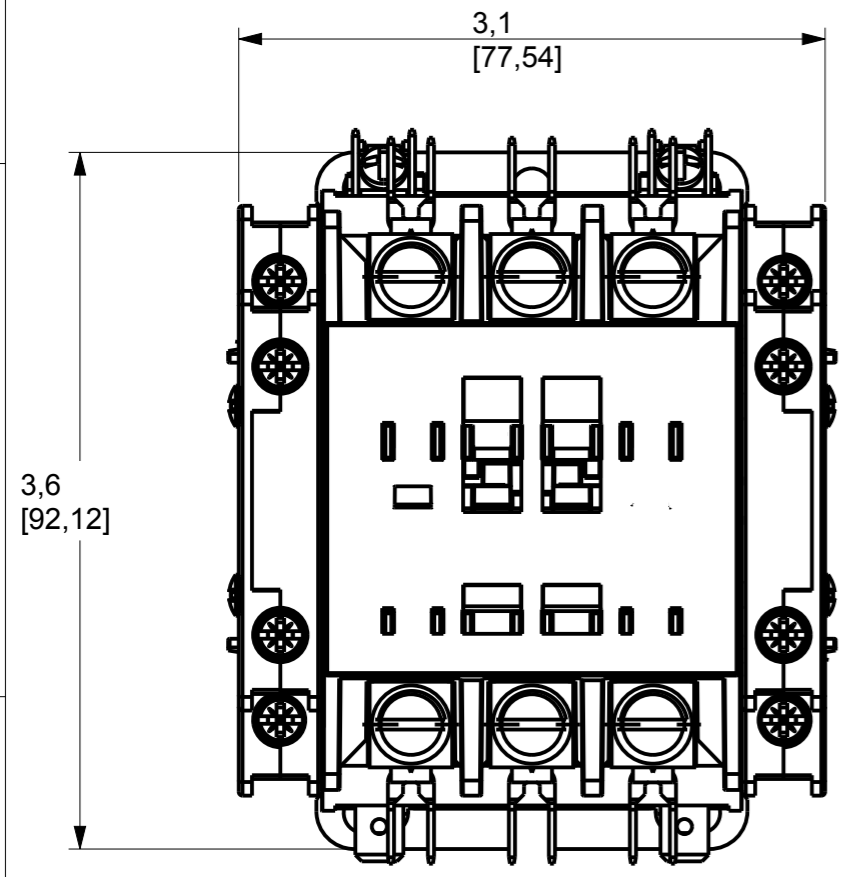


GEPIC INTRALINK DATABASE INFO - FOR INTERNAL USE ONLY			
DRAWING FILE NAME:	REVISION	OBJECT RELATED INFORMATION	STATUS:
TERES_45010107XX_00_00	1		Production
OBJECT FILE NAME:	SYS: COM:	VERSION	
TERES_45010107XX_00_00	1	1	



MOUNTING HOLES FOR
#10 SCREWS (6 PLACES)

GE PROPRIETARY AND CONFIDENTIAL INFORMATION: This document is the property of General Electric Company and is not to be distributed, copied, or used in any way without the express written consent of GE. The information contained herein shall be disclosed to others without the express written consent of GE Energy, and that the information shall be used by the recipient only as approved expressly by GE Energy. This document shall be returned to GE upon its request. This document may be subject to certain restrictions under U.S. export control laws and regulations.

DUAL DIMENSIONS INCHES/MILLIMETERS

Article or Material Must Conform to REACH Procedure SI900000 Sec.14
 Article or Material Must Conform to ROHS Procedure SI900000 Sec.13
 Part Must Conform to SI900000 Sec.4 Toxicity Procedure

REVISION	DESCRIPTION	DATE	NAME	CHECKED	APPROVED	ECN NO
01	First Issue	21-Apr-15	S.Rivadeneira			-
REMARK	DESCRIPTION					
PRODUCT	MATERIAL			POST TREATMENT		
ID	ID 6/8 DIG	DESCRIPTION	REM ID	DESCRIPTION	REM	DESCRIPTION
-	-					
UNLESS OTHERWISE SPECIFIED				CTQ	PROJECTION ASSEMBLY:	
TOL DIMENSIONS	TOL ANGLE	FILLET & TOL	DRAFT ANGLE	OTHERS	Scale 1:1	SUPERSEDES:
					UNIT: in	SUPERSEDED BY:



LOCAL FAM TITLE
 DP40 600V Aux Outline drw.
 CR-553A
 DP40 600V Aux Outline drw.

TERES_45010107XX_00_00			
CAD FILE	SIZE	PAGE	OF
DRAW NO	A3	1	1
450B10107GXX			