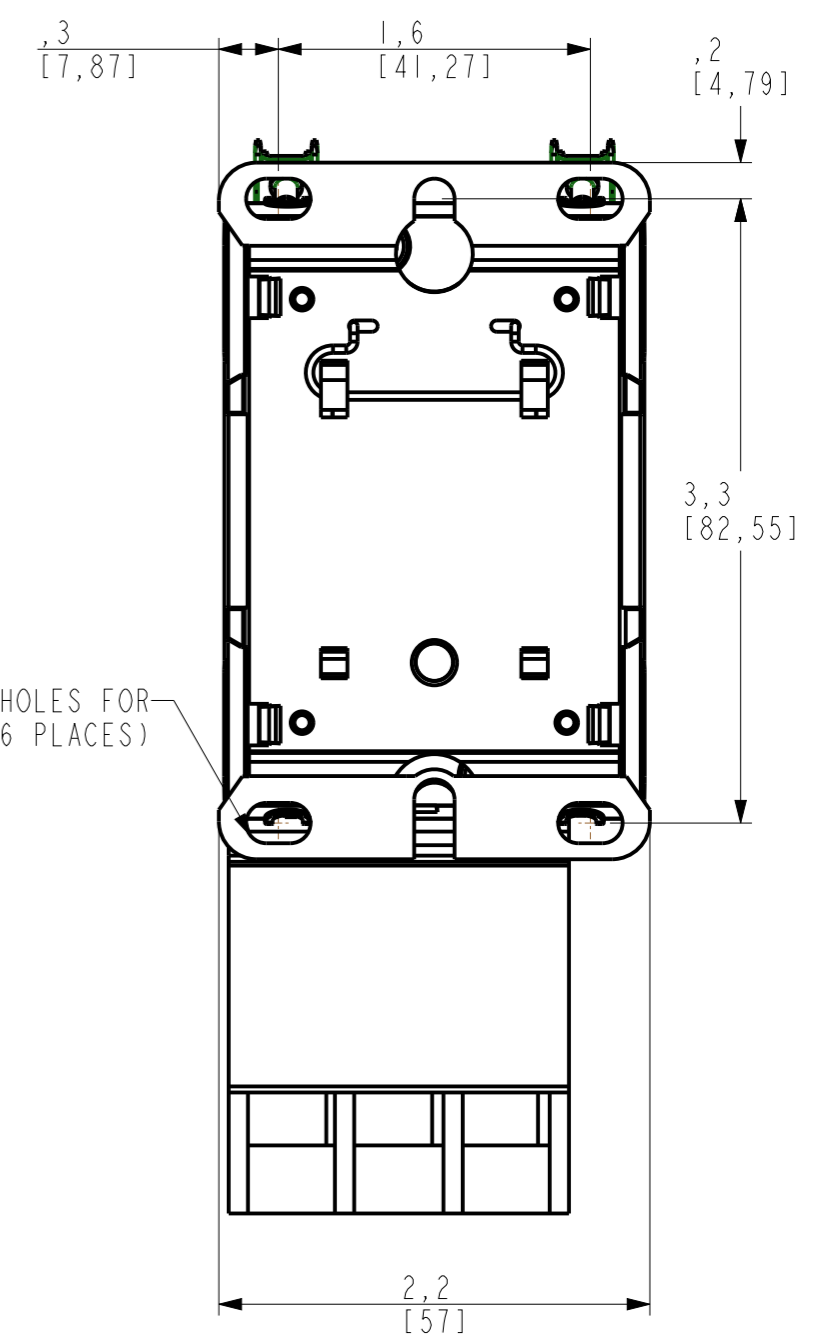
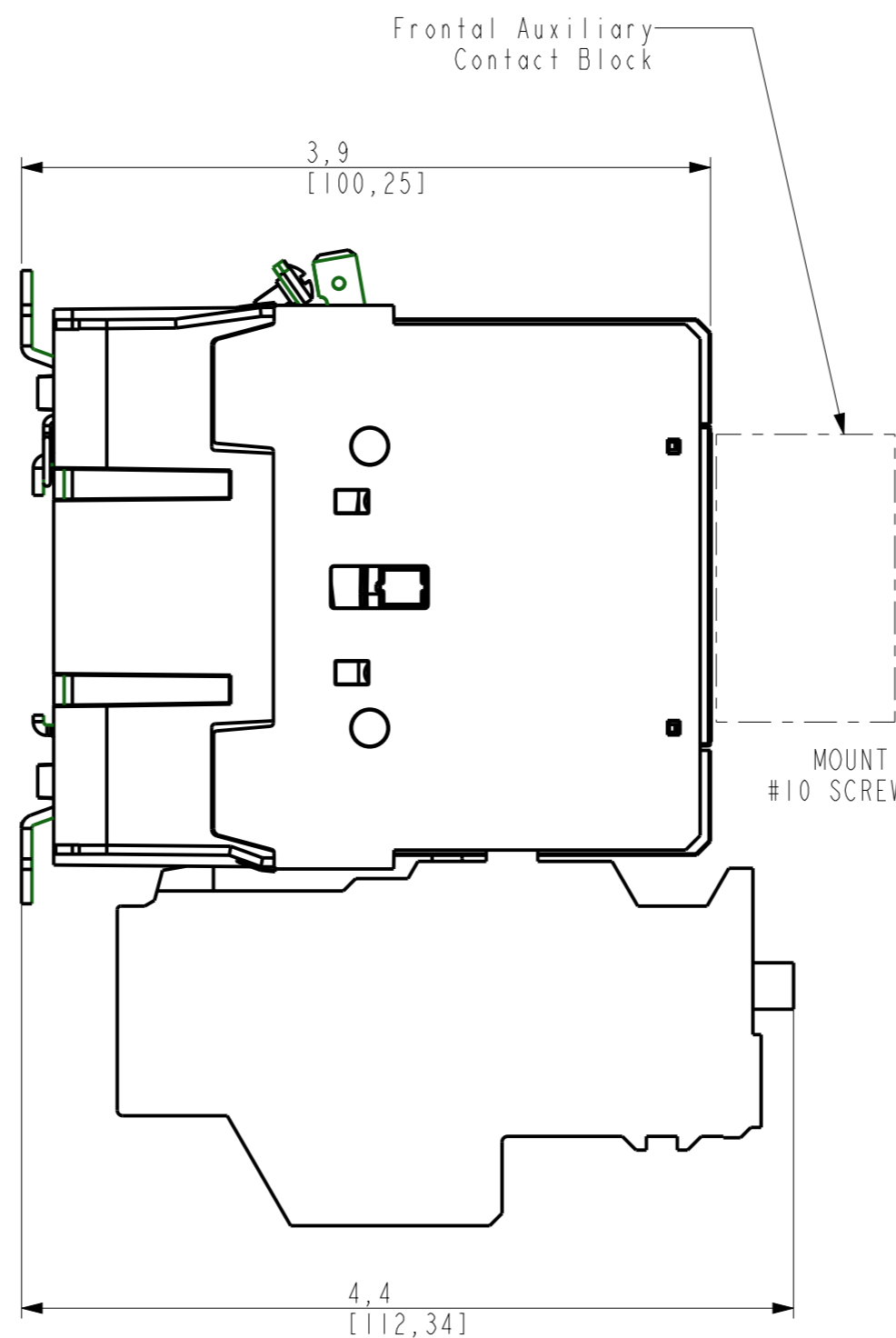
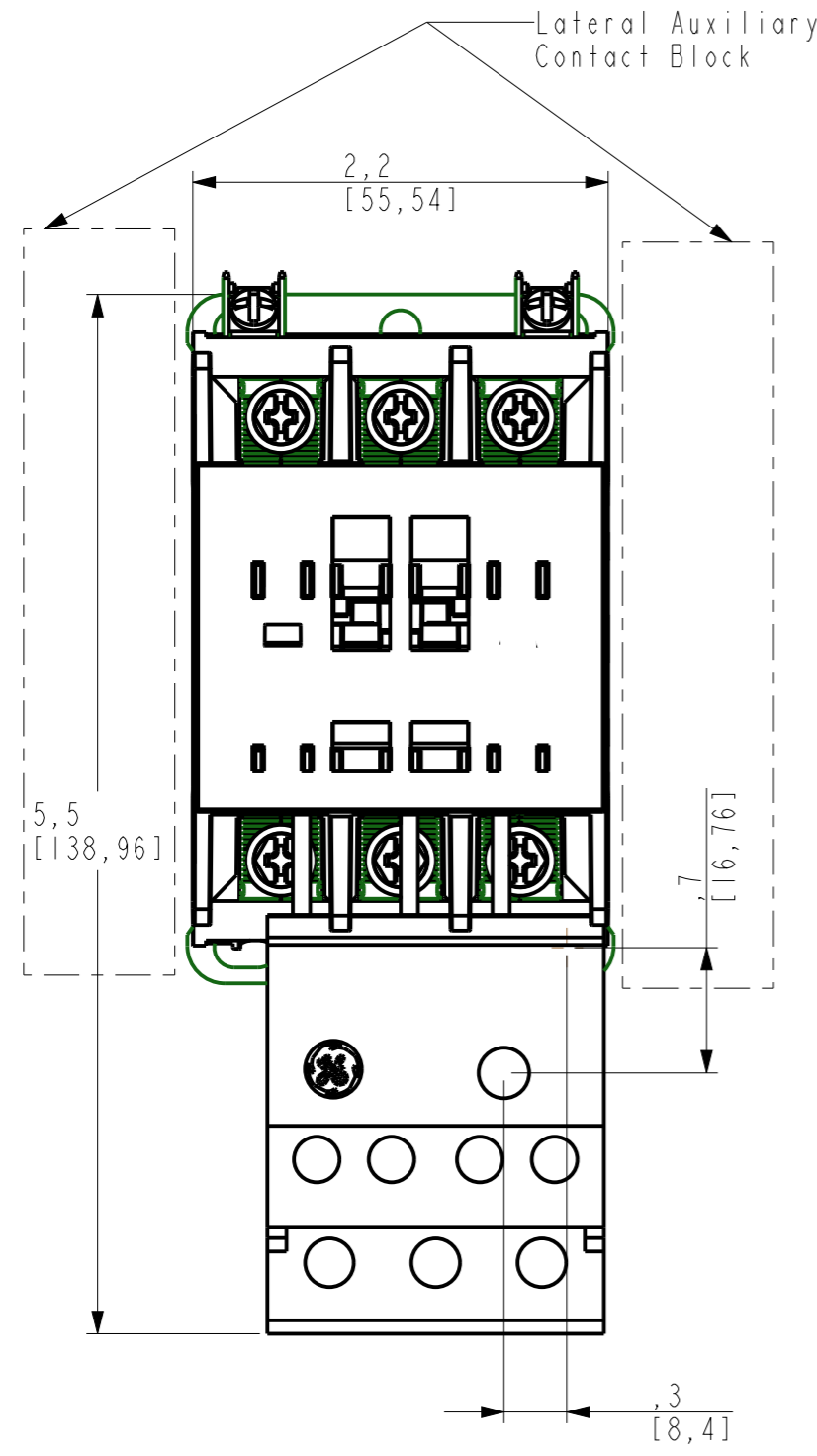


GEPC - INTERNALINK DATABASE INFO - FOR INTERNAL USE ONLY			
DRAWING FILE NAME:	OBJECT RELATED INFORMATION:	REVISION:	STATUS:
TERES_45010110XX_00_00	TERES_45010110XX_00_00	1	Production
OBJECT FILE NAME:	SYS:	COM:	
TERES_45010110XX_00_00	1	1	



MOUNTING HOLES FOR #10 SCREWS (6 PLACES)

GE PROPRIETARY AND CONFIDENTIAL INFORMATION: This document is the property of General Electric Company. GE, GEY, and GE Energy are trademarks of GE Energy. This document is controlled by GE Energy. No part of this document shall be reproduced, stored in a retrieval system, or transmitted in any form or by any means, electronic, mechanical, photocopying, recording, or by any information storage and retrieval system, without the prior written consent of GE Energy. This document shall be returned to GE upon its request. This document may be subject to certain restrictions under U.S. export control laws and regulations.

DUAL DIMENSIONS INCHES/MILLIMETERS

REVISION	DESCRIPTION	DATE	NAME	CHECKED	APPROVED	ECN NO
01	First Issue	21-Apr-15	S.Rivadeneira			-
REMARK	DESCRIPTION					
PRODUCT	MATERIAL			POST TREATMENT		
ID	ID 6/8 DIG	DESCRIPTION	REM	ID	DESCRIPTION	REM
-	-					
UNLESS OTHERWISE SPECIFIED						CTQ
TOL DIMENSIONS	TOL ANGLE	FILLET & TOL	DRAFT ANGLE	OTHERS	Scale 1:1	PROJECTION ASSEMBLY:
					UNIT: in	SUPERSEDES:
						SUPERSEDED BY:
		TITLE DP40 RT Overload Relay Outline drw. LOCAL FAM CR-553A DP40 RT Overload Relay Outline drw.			TERES_45010110XX_00_00 CAD FILE SIZE PAGE OF DRAW NO A3 1 1 450B10110GXX	

Article or Material Must Conform to REACH Procedure S1900000 Sec.14
 Article or Material Must Conform to ROHS Procedure S1900000 Sec.13
 Part Must Conform to S1900000 Sec.4 Toxicity Procedure