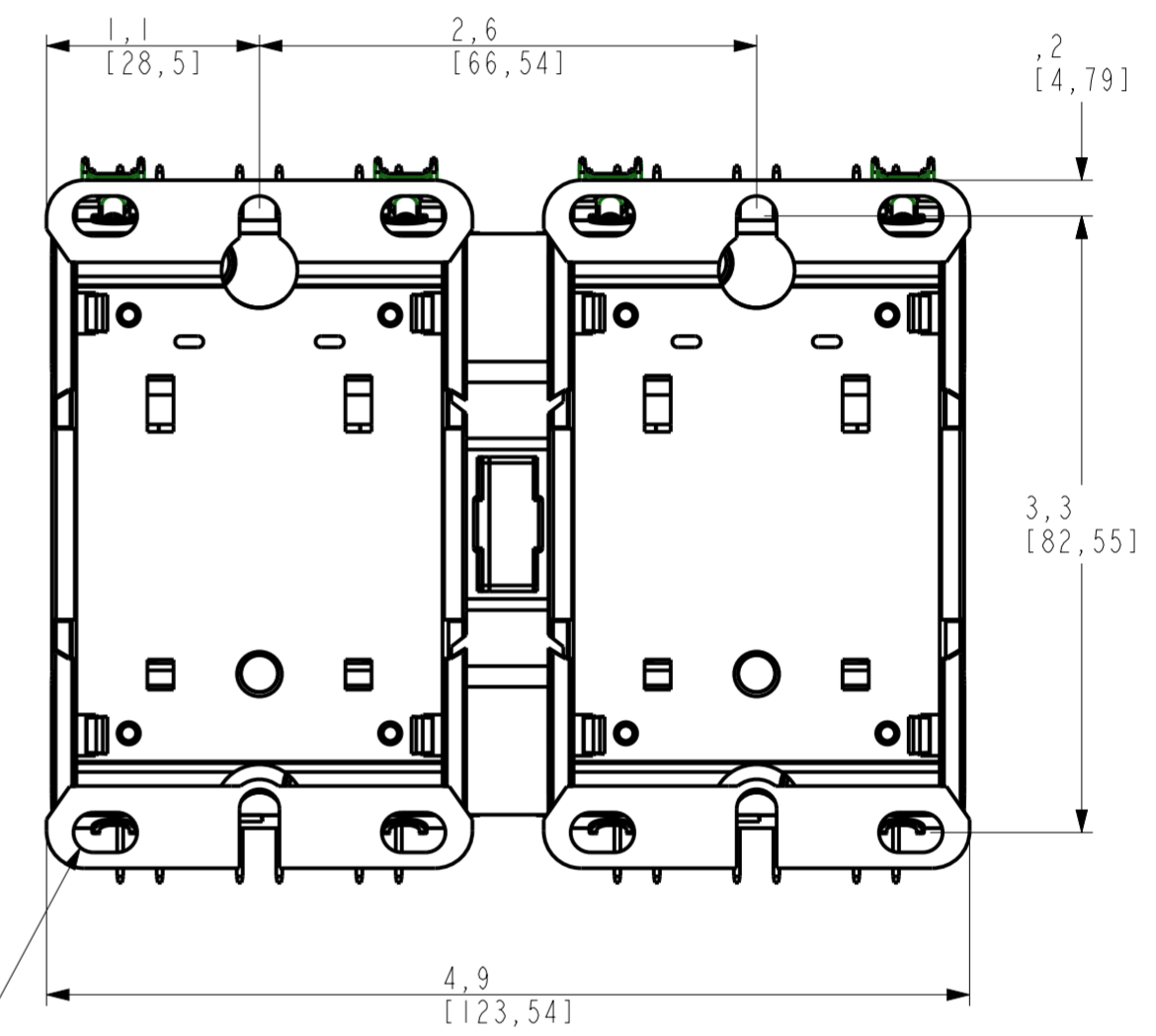
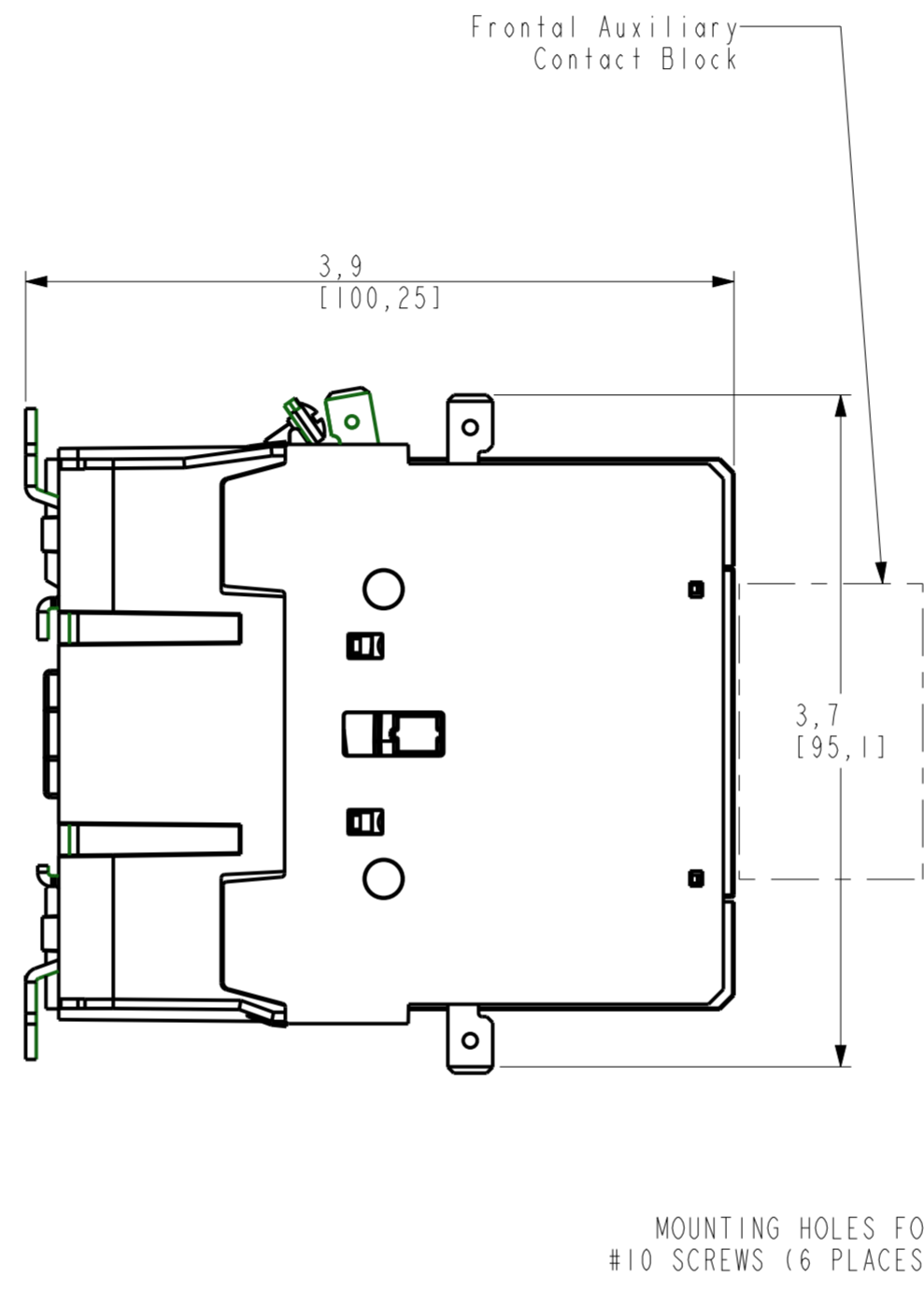
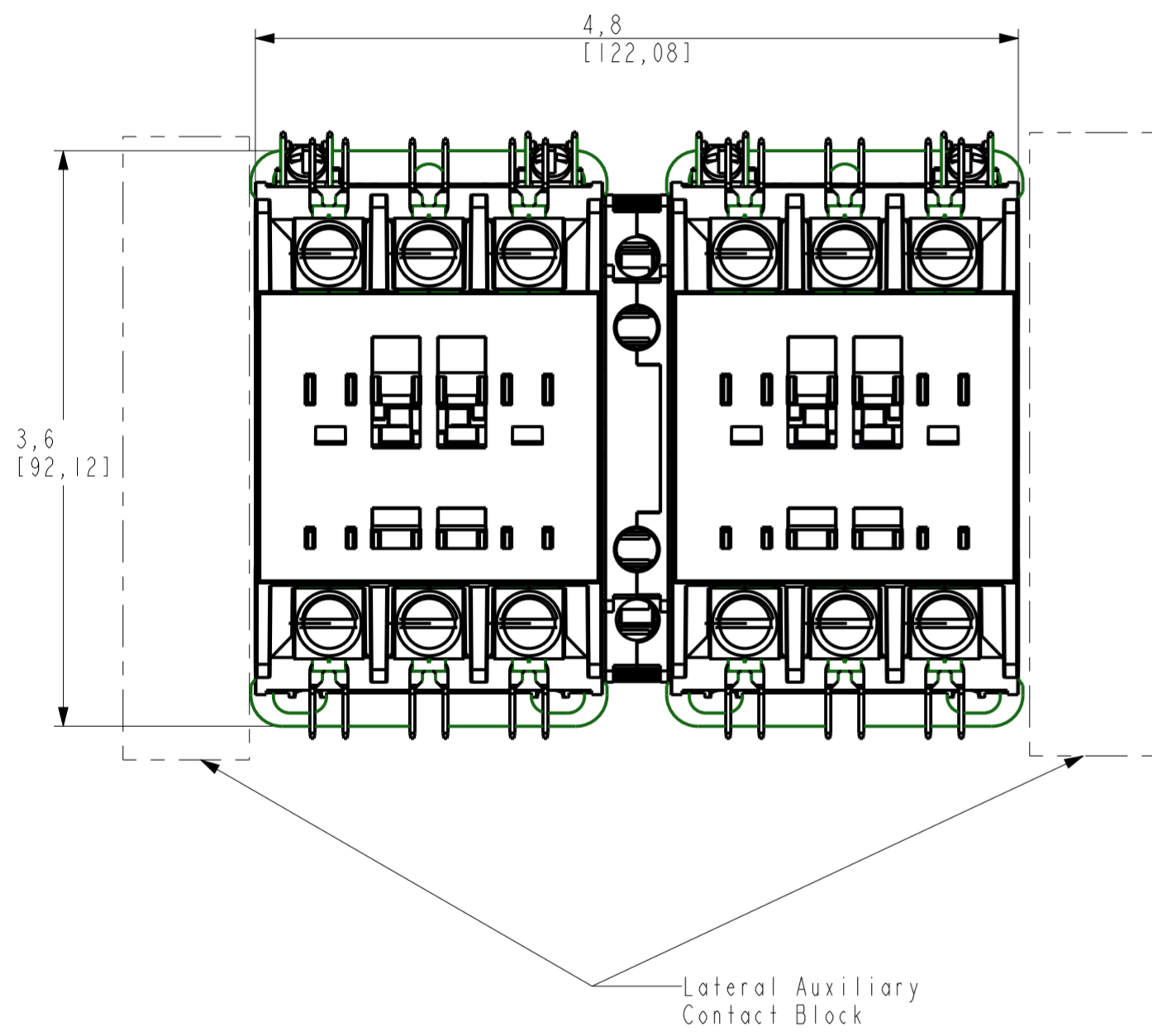


GE PROPRIETARY AND CONFIDENTIAL INFORMATION: This document is the property of General Electric Company ("GE") and contains proprietary information of GE. This document is loaned on the express condition that it will be returned to GE, and that the information shall be used only as approved expressly by GE Energy. This document shall be returned to GE upon its request. This document may be subject to certain restrictions under U.S. export control laws and regulations.

DRAWING FILE NAME: TERES_45010112XX_00
 OBJECT RELATED INFORMATION: TERES_45010112XX_00
 STATUS: PRODUCTION
 VERSION: 1
 DATE: 27-Apr-15



DUAL DIMENSIONS INCHES/MILLIMETERS

Article or Material Must Conform to REACH Procedure S1900000 Sec.14
 Article or Material Must Conform to RoHS Procedure S1900000 Sec.13
 Part Must Conform to S1900000 Sec.4 Toxicity Procedure

REVISION	DESCRIPTION	DATE	NAME	CHECKED	APPROVED	ECN NO
01	First Issue	27-Apr-15	S.Rivadeneiro			-
REMARK	DESCRIPTION					
PRODUCT			MATERIAL			POST TREATMENT
ID	ID 6/8 DIG	DESCRIPTION	REM ID	DESCRIPTION	REM	DESCRIPTION
-	-					
UNLESS OTHERWISE SPECIFIED						
TOL DIMENSIONS	TOL ANGLE	FILLET & TOL	DRAFT ANGLE	OTHERS	CTQ	PROJECTION
					Scale 1:1	ASSEMBLY:
					UNIT: MM	SUPERSEDES:
						SUPERSEDED BY:
						TERES_45010112XX_00_00 CAD FILE SIZE PAGE OF DRAW NO A2 1 1
TITLE: Master DP Configuration LOCAL FAN: CR-553A Master DP Configuration						450C10112GXX