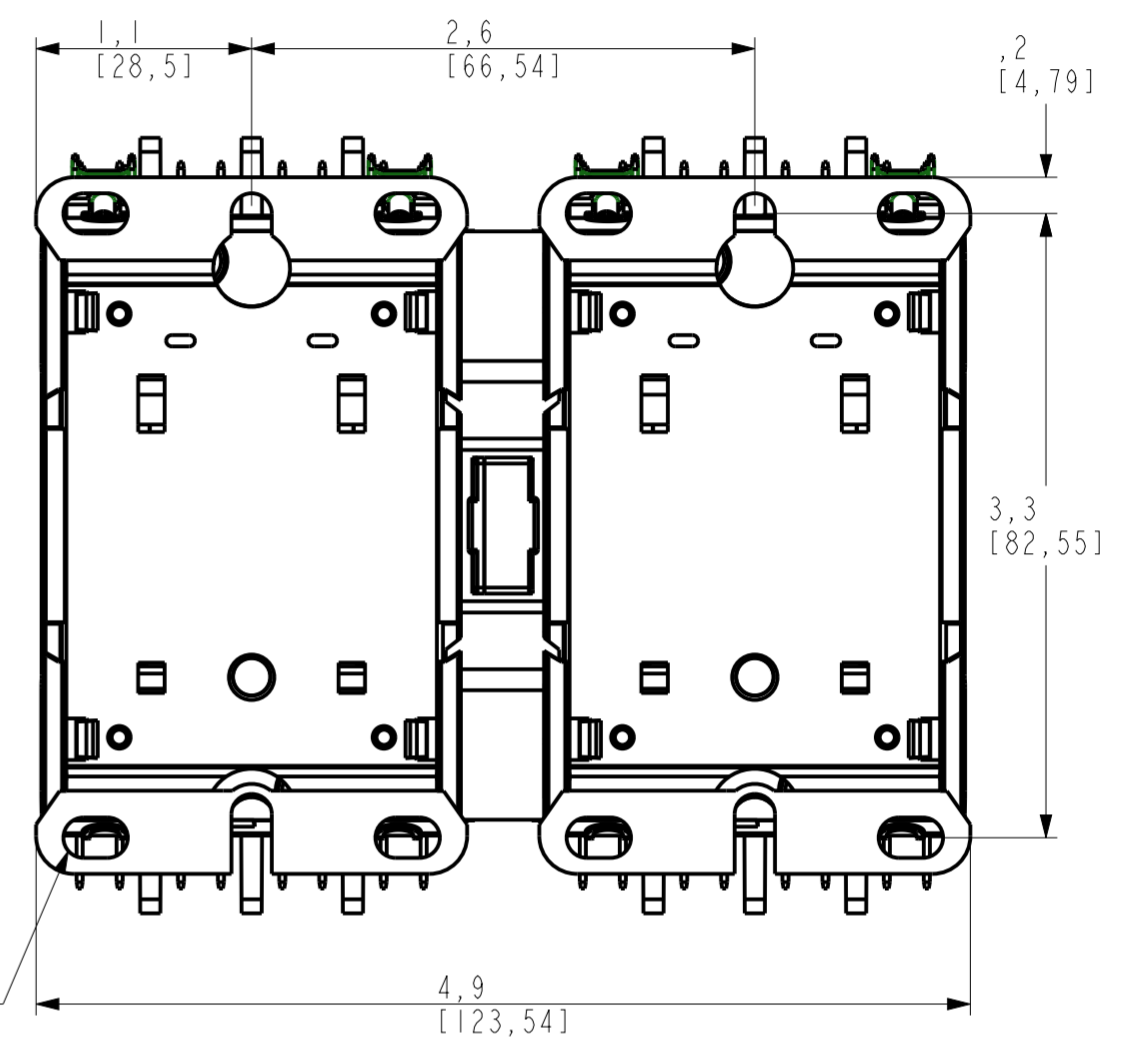
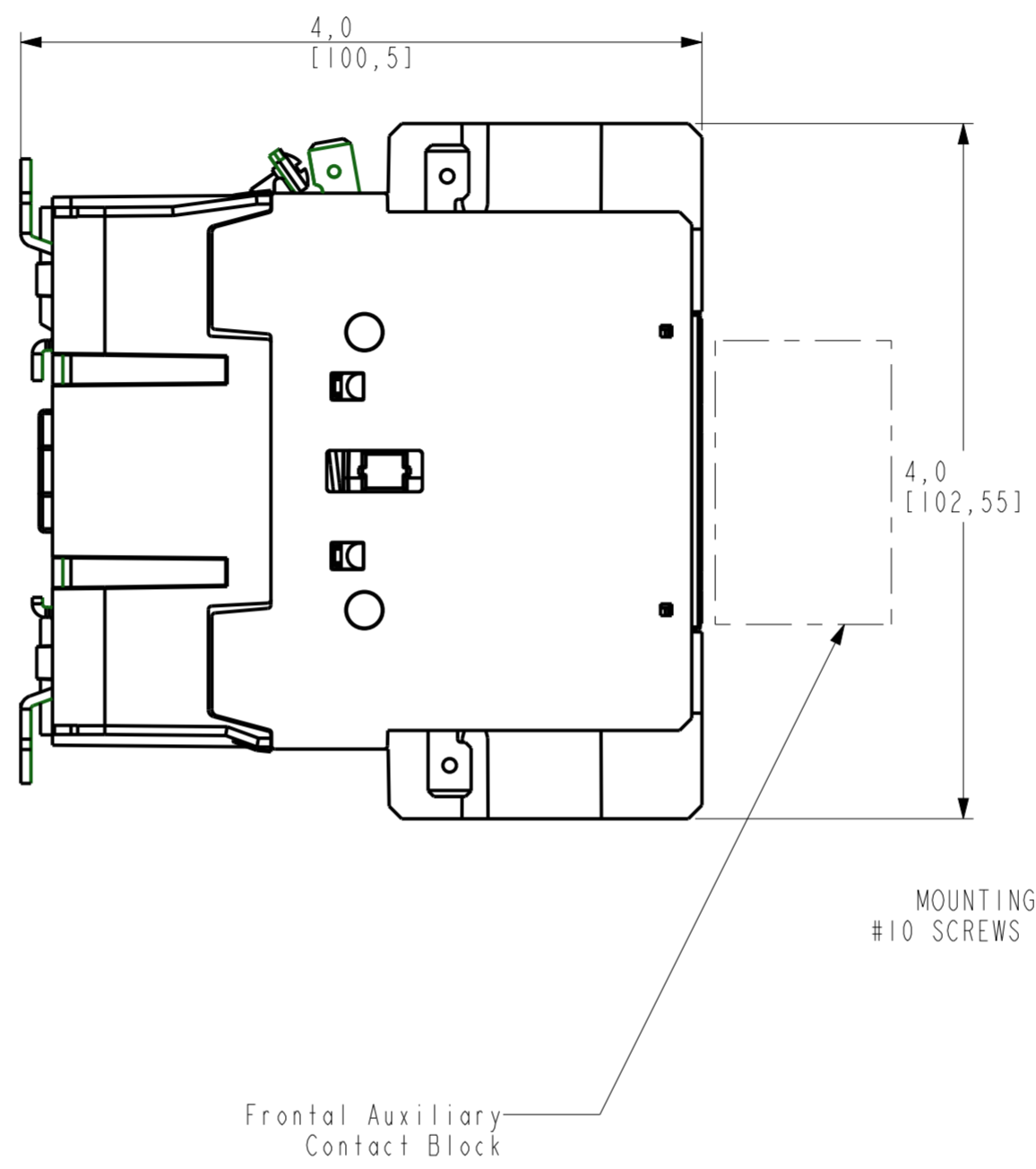
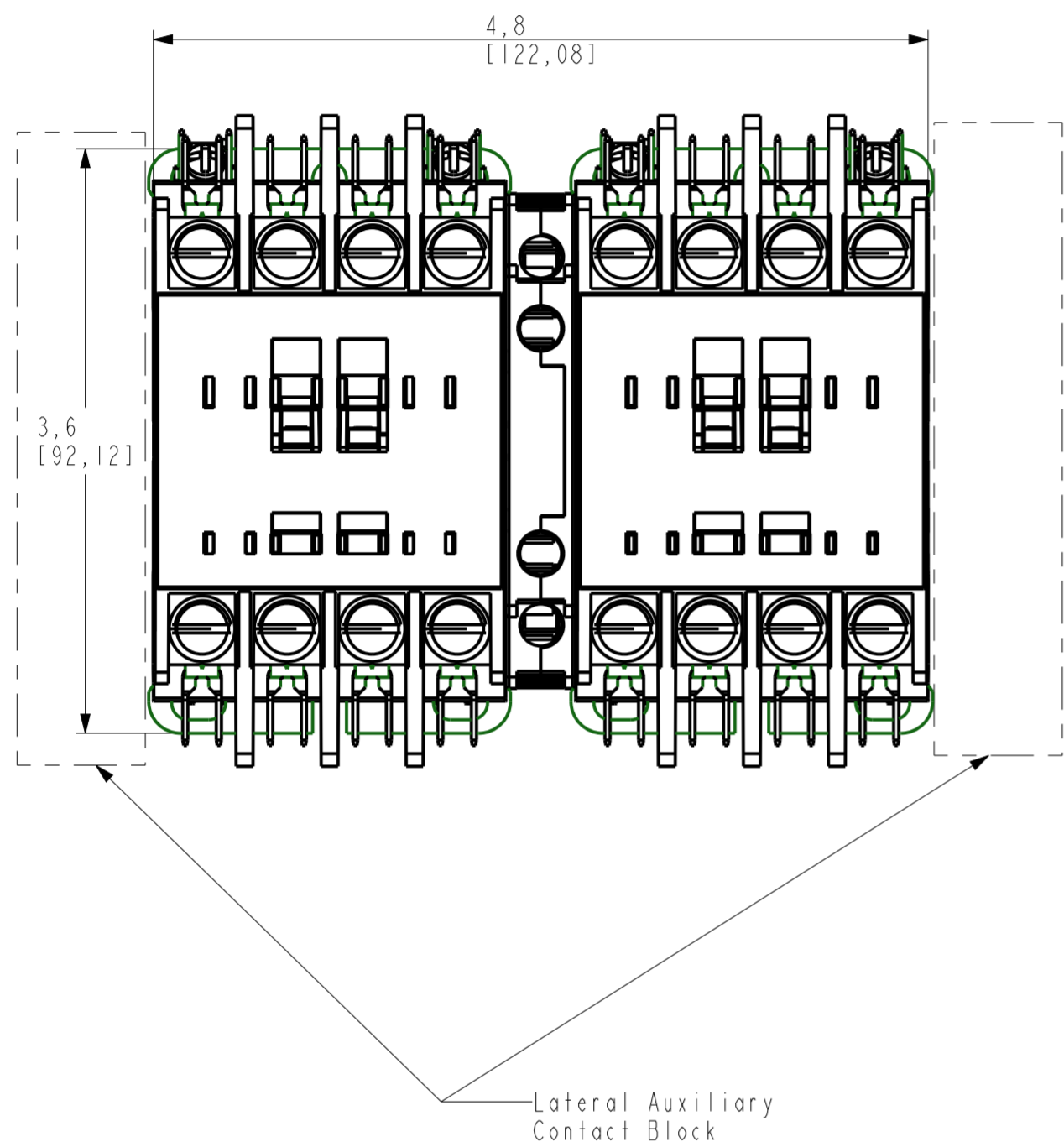


REV	DATE	BY	CHKD	STATUS
00				
GE PROPRIETARY AND CONFIDENTIAL INFORMATION: This document is the property of General Electric Company ("GE") and contains proprietary information of GE. This document is loaned on the express condition that it will be returned to GE and that the information contained herein shall not be disclosed to others without the express written permission of GE Energy. This document shall be returned to GE upon its request. This document may be subject to certain restrictions under U.S. export control laws and regulations.				
OBJECT FILE NAME:	REV	DATE	BY	CHKD
450C10113XX.00	1	1		
SYSTEM:	COM			
PROJECT FILE NAME:	1	1		
450C10113XX.00				



DUAL DIMENSIONS INCHES/MILLIMETERS

Article or Material Must Conform to REACH Procedure S1900000 Sec.14
 Article or Material Must Conform to ROHS Procedure S1900000 Sec.13
 Part Must Conform to S1900000 Sec.4 Toxicity Procedure

REVISION	DESCRIPTION	DATE	NAME	CHECKED	APPROVED	ECN NO
00	First Issue		S.Rivadeneira	-	-	-
REMARK	DESCRIPTION					
-	-					
PRODUCT	ID		MATERIAL		POST TREATMENT	
	ID 6/8 DIG	DESCRIPTION	REM ID	DESCRIPTION	REM	DESCRIPTION
-	-	-	-	-	-	-
UNLESS OTHERWISE SPECIFIED						CTO
TOL DIMENSIONS	TOL ANGLE	FILLET & TOL	DRAFT ANGLE	OTHERS	Scale	PROJECTION
-	-	-	-	-	0 1:1	ASSEMBLY: assembly.no
					UNIT: mm	SUPERSEDES: -
						SUPERSEDED BY: -
		DP 2-Speed Cont DP40 3P + DP40 3P Outline dw CR-553A			TERES.4501013XX.00.00 CAD FILE SIZE PAGE OF DRAW NO A2 1 1	
						450C10113GXX