

4555874

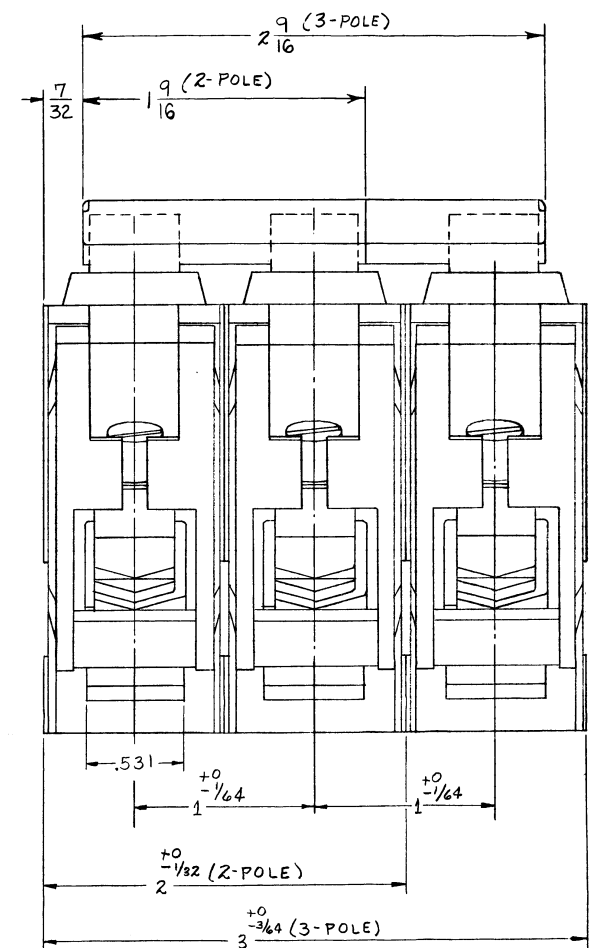
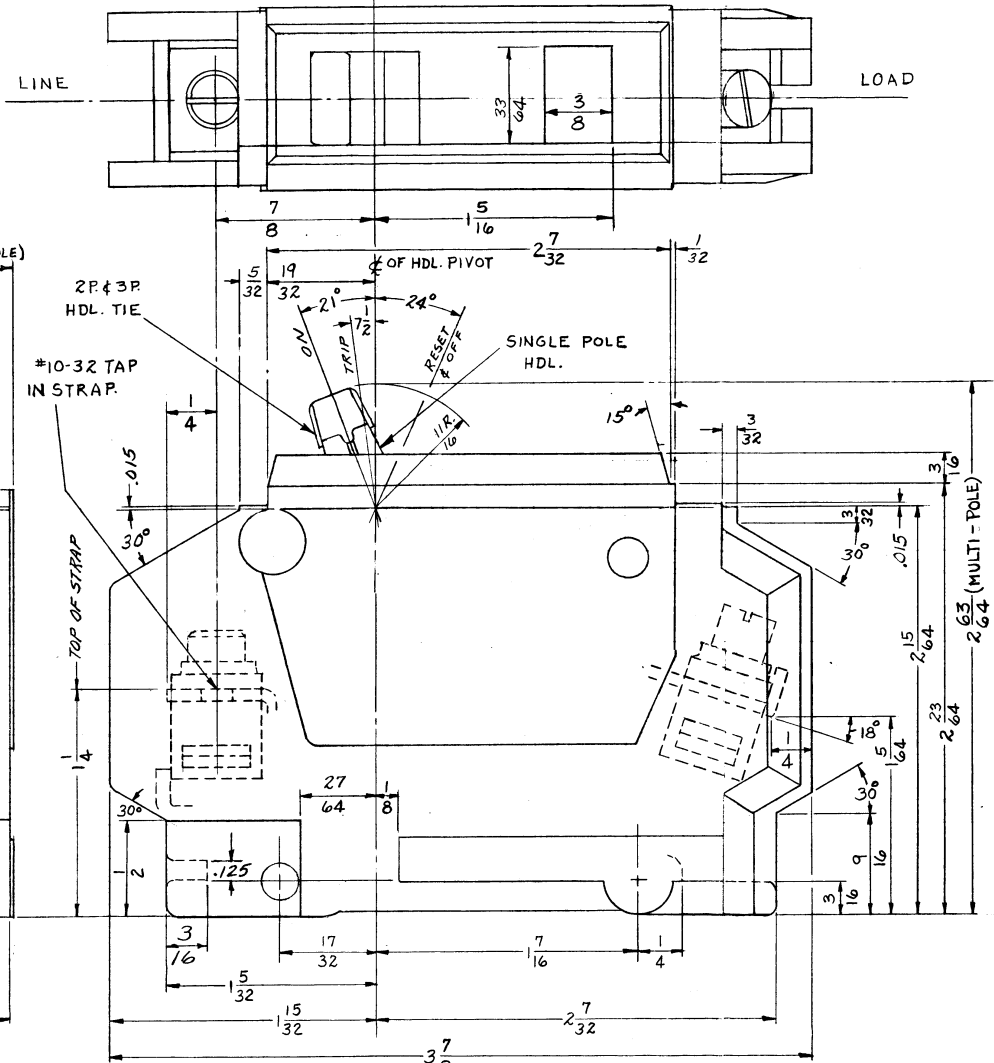
GENERAL ELECTRIC

455C874

UNLESS OTHERWISE SPECIFIED USE THE FOLLOWING—		
APPLIED PRACTICES	SURFACES	TOLERANCES ON MACHINED DIMENSIONS
	✓	FRACTIONS: DECIMALS: ANGLES:
		$\pm \frac{1}{64}$ $\pm .005$ $\pm$

TITLE OUTLINE  
TQC CIRCUIT BREAKER  
FIRST MADE FOR

A  
B  
C  
D  
E



LINE & LOAD LUGS  
#14 to 1/0 CU-AL

REV. NO. 1