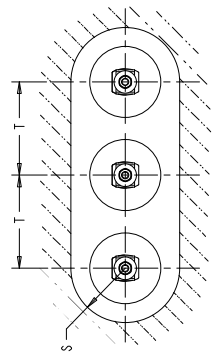


| STYLE NO. | DUTY CYCLE kV | MCOV kVrms | CREEPAGE | | LBS | KG | PH TO GRD. | | PH TO PH | | FIGURE |
|----------------|---------------|------------|----------|-----|------|-----|------------|------|----------|------|--------|
| | | | IN | MM | | | IN | MM | IN | MM | |
| D009SA007ADE00 | 9 | 7.65 | 12.04 | 306 | 3.08 | 1.4 | 6.18 | 1.57 | 6.89 | 1.75 | 1 |
| D009SA007ADE00 | 9 | 7.65 | 12.04 | 306 | 3.08 | 1.4 | 6.18 | 1.57 | 6.89 | 1.75 | 2 |
| D009SA007ADE00 | 9 | 7.65 | 12.04 | 306 | 3.08 | 1.4 | 6.18 | 1.57 | 6.89 | 1.75 | 3 |
| D010SA008ADE00 | 10 | 8.40 | 12.04 | 306 | 3.08 | 1.4 | 6.18 | 1.57 | 6.89 | 1.75 | 1 |
| D010SA008ADE00 | 10 | 8.40 | 12.04 | 306 | 3.08 | 1.4 | 6.18 | 1.57 | 6.89 | 1.75 | 2 |
| D010SA008ADE00 | 10 | 8.40 | 12.04 | 306 | 3.08 | 1.4 | 6.18 | 1.57 | 6.89 | 1.75 | 3 |
| D012SA010ADE00 | 12 | 10.20 | 12.04 | 306 | 3.08 | 1.4 | 6.18 | 1.57 | 6.89 | 1.75 | 1 |
| D012SA010ADE00 | 12 | 10.20 | 12.04 | 306 | 3.08 | 1.4 | 6.18 | 1.57 | 6.89 | 1.75 | 2 |
| D012SA010ADE00 | 12 | 10.20 | 12.04 | 306 | 3.08 | 1.4 | 6.18 | 1.57 | 6.89 | 1.75 | 3 |

HORIZONTAL LIMIT FOR GROUNDED OBJECTS



- E - CABLE TERMINAL WITH M12 STUD, 2 NUTS LOCKWASHER, FLAT WASHER AND TERMINAL CLAMP.
- P - CABLE TERMINAL WITH INSULATING BRACKET, M12 STUD, 2 NUTS, LOCKWASHER, FLAT WASHER AND TERMINAL CLAMP.
- O - CABLE TERMINAL WITH INSULATING BRACKET & DISCONNECTOR WITH M12 STUD, M10 NUT, LOCKWASHER, FLAT WASHER AND TERMINAL CLAMP.
- NAMEPLATE
- 0 - STANDARD ANSI ONLY

HORIZONTAL 3Ø INSTALLATION LAYOUT

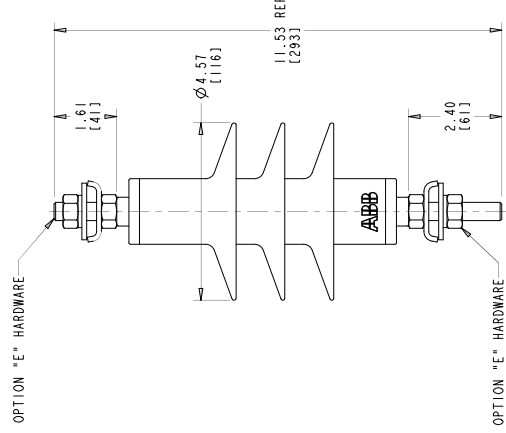


FIGURE 1

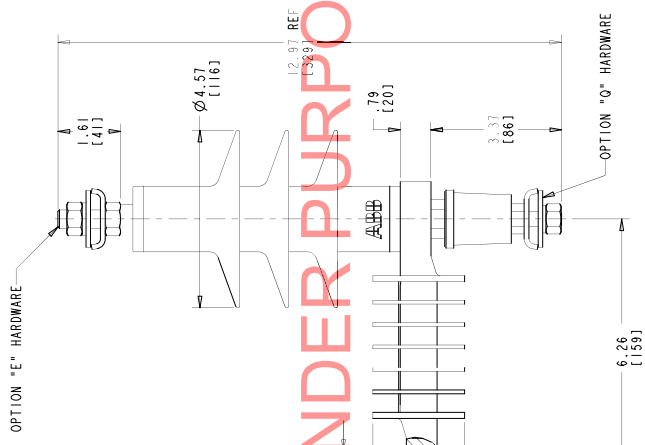


FIGURE 2

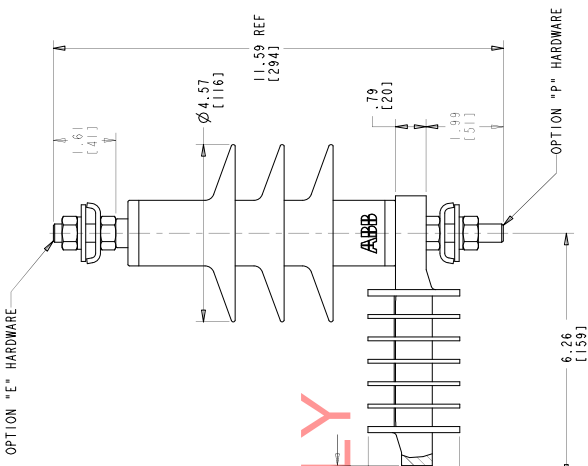


FIGURE 3

FOR TENDER PURPOSES ONLY

| | | |
|----------------------------|----------------|-----|
| 03 | APRIL 14, 2014 | DJM |
| CALCULATED | | |
| HORIZONTAL ADDED TO 3Ø | | |
| *S* AND *T* VALUES | | |
| STYLE CHART: UPDATED | | |
| 2.37 MMS 2.19 | | |
| 12.79 REF | | |
| FIGURE 2: 12.97 REF MMS | | |
| FOR NEW DISCONNECTOR | | |
| FIGURE 2: UPDATED HARDWARE | | |
| UPDATED | | |
| FIGURE 2 DISCONNECTOR | | |
| 02 DECEMBER 1, 2006 | | |
| DIMENSIONS | | |
| TJD | | |
| UPDATED FIG 2 AND 3 | | |
| WITH NEW INSULATING | | |
| BRACKET (HANS0721) | | |
| 01 NOV. 24, 2004 | | |

REV. DESCRIPTION & DATE

ALL DIMENSIONS IN INCH (MM) UNLESS NOTED

THIS DRAWING IS THE PROPERTY OF ARBB INC. IT IS TO BE USED FOR THE PROJECT AND LOCATION SPECIFICALLY IDENTIFIED ON THE DRAWING. IT IS NOT TO BE REPRODUCED OR TRANSMITTED IN ANY FORM OR BY ANY MEANS, ELECTRONIC OR MECHANICAL, INCLUDING PHOTOCOPYING, RECORDING, OR BY ANY INFORMATION STORAGE AND RETRIEVAL SYSTEM, WITHOUT THE WRITTEN PERMISSION OF ARBB INC.

STANDARD POLIM-D ARRESTER
9-12 KV OUTLINE

ARBB INC.
Power Products Division
300 Distribution Circle, W. Pittsburg, PA 15066

SCALE: 1/8" = 1" (1:8)

SHEET 1 OF 1

DATE: 04/14/14

DESIGNER: DJM

CHECKER: TJD

4F1003

3

100-8-06-d