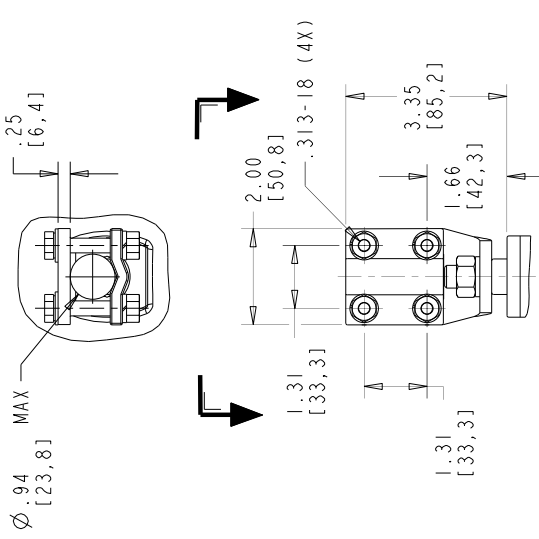


4F-1031
DRW

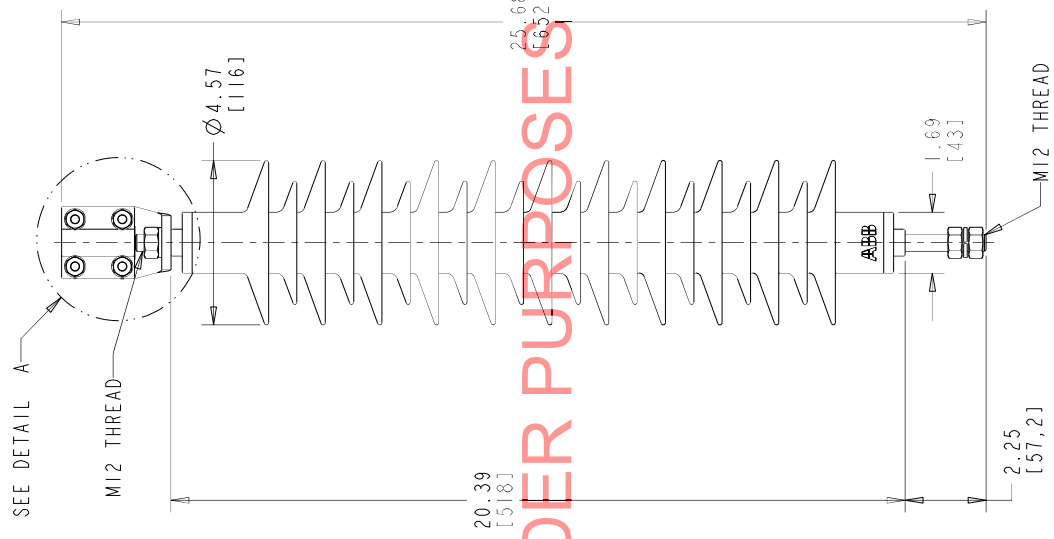
STYLE NO.	DUTY CYCLE kV	MCOV kVrms	CREEPAGE		LBS	kg	MINIMUM CLEARANCE FROM CENTERLINE	
			IN	MM			PHASE TO GROUND	PHASE TO PHASE
U036SA029B1CA0	36	29.0	51.6	1311	14.0	6.4	IN	MM
							16.9	429
							17.20	437

NOTES:

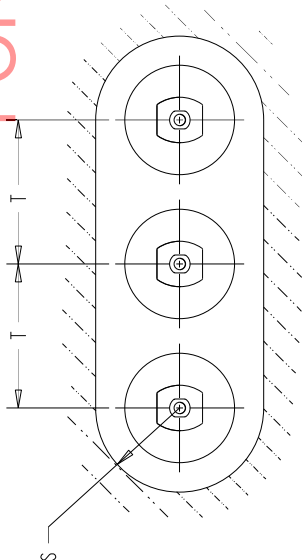
1. INCREASE CLEARANCES "S" & "T" 3% PER 1,000 FT. [304.8 m] OVER 6,000 FT. [1828.8 m]
2. ARRESTER ASSEMBLY CONSISTS OF ARRESTER UNIT, LINE & GROUND TERMINALS.
3. MINIMUM DIMENSIONS FOR ARRESTERS, OTHER APPARATUS STANDARDS, OTHER SPECIFICATIONS OR LOCAL CODES MAY REQUIRE GREATER SPACING.
4. PRESSURE RELIEF CLASS IS 20 KA RMS SYMMETRICAL.
5. LINE & GROUND TERMINALS CAN ACCOMMODATE CU OR AL CABLE SIZE NO. 2 TO 600 MCM (.250" TO .937") DIA.



FOR TENDER PURPOSES ONLY



HORIZONTAL LIMIT FOR GROUNDED OBJECTS



HORIZONTAL 3Ø INSTALLATION LAYOUT

LINE TERMINAL
CAN BE MOUNTED AT ANY ANGLE

ALL DIMENSIONS IN INCHES [MM] UNLESS NOTED
This drawing is the property of ABB INC. and contains proprietary and confidential information which must not be duplicated, used or disclosed other than expressly authorized by ABB INC.

XPI ARRESTER (CA0)
36 kV
OUTLINE

ABB
ABB INC.
Beverly Hills Office
Building 201-B Avenue B, Youngwood, PA 15697

CAD DRW PRDZ WILDFIRE 2.0	SCALE 0.25	SHEET 1 OF 1
ASSY - DWG.	DRW	REV.
DKJ	DKJ	4F1031
DKJ	DKJ	2

01	AUGUST 5, 2010	STYLE NO. U036SA029B1CA0	02	NOVEMBER 22, 2010
		WAS U036SA029B1CA0		
		DKJ		