

STYLE NO.	RATINGS (kV rms)		TOV (kV rms)	MAXIMUM RESIDUAL VOLTAGE WITH CURRENT WAVE (kV PEAK)				
	V <sub>r</sub>	MCOV V <sub>mcoV</sub>		SPL (SIPL) 30/60 μS	LPL (LIPL) 8/20 μS	FW 0.5 μS		
STANDARD CREEP								
	12	10.2	010 sec = 13.1	25.1	28.1	30.0	33.5	33.1
	15	12.7	010 sec = 16.4	31.3	35.0	37.5	41.8	41.2
	18	15.3	010 sec = 19.7	37.4	41.9	45.0	50.0	49.3
	21	17.0	010 sec = 23.0	41.8	46.9	50.4	55.9	55.2
EXTRA CREEP								
	3	2.55	010 sec = 4.93	9.77	10.9	11.3	12.9	12.8
	4	3.40	010 sec = 4.93	10.0	11.2	11.6	13.3	13.1
	5	4.25	010 sec = 6.57	12.3	13.7	14.4	16.3	16.1
	6	5.10	010 sec = 6.57	12.8	14.3	15.0	17.0	16.8
	7	5.95	010 sec = 9.86	17.7	19.8	21.0	23.6	23.3
	8	6.80	010 sec = 9.86	18.5	20.7	22.0	24.7	24.4
	9	7.65	010 sec = 9.86	19.0	21.3	22.6	25.4	25.0
	10	8.40	010 sec = 11.0	21.0	23.5	25.0	28.0	27.6

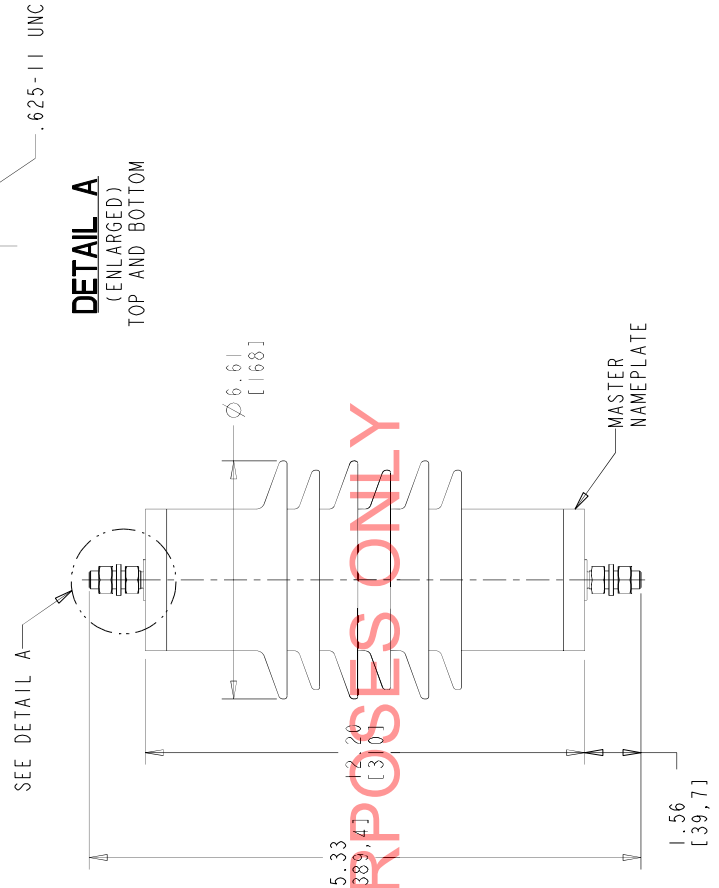
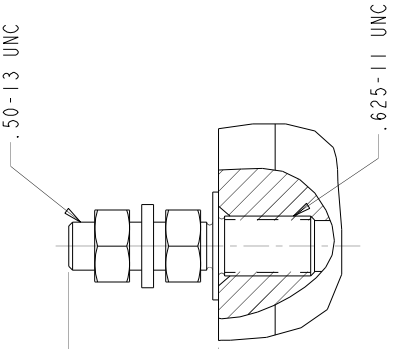
<b>ABB</b> <small>ABB Inc.</small>	<b>POLIM-S</b>	<small>U.S.A.</small>
Style No. *	Ser. No. *	kV
Weight 22 lbs	MCOV *	kV Rating *

FOR TENDER PURPOSES ONLY

**MASTER NAMEPLATE**

\* ASSIGNED AT THE TIME OF PRODUCTION AND RECORDED IN THE PROPER LOCATIONS

- NOTES:
- FOR MINIMUM PHASE-TO-GROUND AND PHASE-TO-PHASE CLEARANCES WITH TYPE POLIM-S SURGE ARRESTERS, REFER TO THE POLIM-S PRODUCT BULLETIN (26NM110077). OTHER APPARATUS STANDARDS, OTHER SPECIFICATIONS OR LOCAL CODES MAY SUPERCEDE DISTANCES SPECIFIED.
  - ARRESTER ASSEMBLY CONSISTS OF ARRESTER UNIT, LINE & GROUND TERMINALS WITH .50 INCH HARDWARE.
  - DESIGNED FOR VERTICAL OR HORIZONTAL MOUNT.
  - MAX CANTILEVER LOAD 20,000 in-lbs [2260 Nm]
  - PRESSURE RELIEF CLASS IS 63 kA RMS SYMMETRICAL.
  - NOMINAL CREEPAGE DISTANCE 23.7 [601].
  - MAXIMUM ARRESTER WEIGHT 22.0 lbs [10.0 kg].



ALL DIMENSIONS IN INCHES [MM] UNLESS NOTED  
 This drawing is the property of ABB INC. and contains proprietary and confidential information which must not be duplicated, used or disclosed other than expressly authorized by ABB INC.

POLIM-S IEEE STATION / IEC CLASS 3  
 POLYMER ARRESTER (CUBICAL)  
 6 SHED HOUSING OUTLINE

**ABB** ABB Inc. Power Products Division  
 100 Distribution Center, Mt. Pleasant, PA 15666

CAD DRW PRDZ WILDFIRE 2.0  
 SCALE 0:20  
 ASSY-DWG.  
 DWG: KRZGOWSKI  
 CMO: DJK  
 APP: DJK

SHEET 1 OF 1  
**4F4010**

01	MARCH 3, 2010	STYLE 021SA017BSAA6	UPDATED MAXIMUM RESIDUAL VOLTAGE	CHART TOP COLUMN HEADER	RECONFIGURED	NOTE 1: PRODUCT BULLETIN NUMBER ADDED	NOTE 2: LOAD WAS STRENGTH ADDRESS UPDATED	DJK
02	JULY 26, 2011	WAS 23:6	NOTE 6: CREEPAGE 22.7	DJK				
03	OCTOBER 29, 2013	NOTE 6: 23.7 WAS 22.7	DJK					
04	JULY 21, 2015							