

STYLE NO.	RATINGS (kV rms)		TOV (kV rms)	MAXIMUM RESIDUAL VOLTAGE WITH CURRENT WAVE (kV PEAK)			
	V _r	MCOV V _{mcoV}		WITH PRIOR ENERGY SINGLE IMPULSE OF 4.5 kJ/kVr	SPL (SIPL) 30/60 μS	LPL (LIPL) 8/20 μS	FW 0.5 μS
STANDARD CREEP							
0003SA002ASAA6	3	2.55	Ø10 sec = 4.93	9.77	10.9	11.3	12.9
0004SA003ASAA6	4	3.40	Ø10 sec = 4.93	10.0	11.2	11.6	13.3
0005SA004ASAA6	5	4.25	Ø10 sec = 6.57	12.3	13.7	14.4	16.3
0006SA005ASAA6	6	5.10	Ø10 sec = 6.57	12.8	14.3	15.0	17.0
0007SA006ASAA6	7	5.95	Ø10 sec = 9.86	17.7	19.8	21.0	23.6
0008SA007ASAA6	8	6.80	Ø10 sec = 9.86	18.5	20.7	22.0	24.7
0009SA008BSAA6	9	7.65	Ø10 sec = 9.86	19.0	21.3	22.6	25.4
0010SA008BSAA6	10	8.40	Ø10 sec = 11.0	21.0	23.5	25.0	28.0

ABB	Date	POLIM-S	U.S.A.
	Style No. *	Ser. No. *	
Weight 18 lbs	MCOV *	kV Rating *	kV

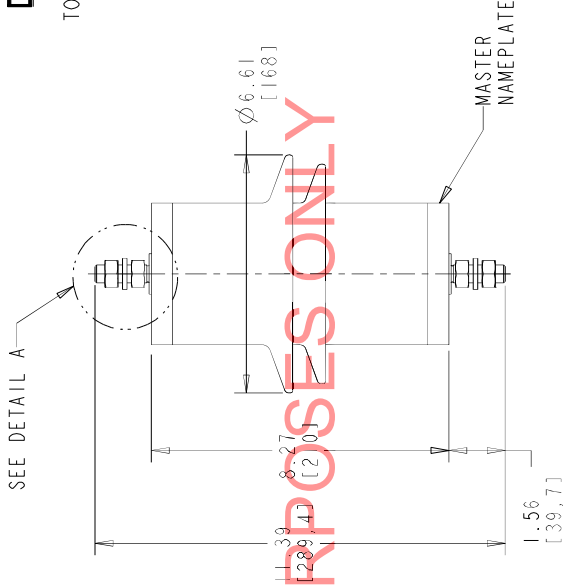
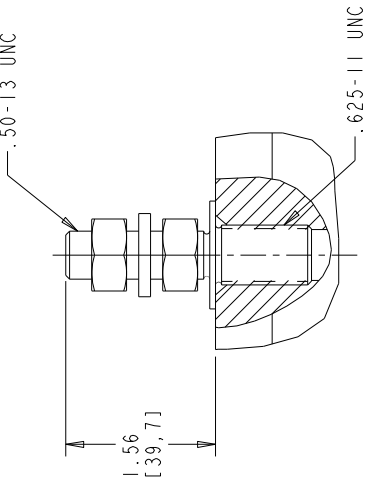
MASTER NAMEPLATE

* ASSIGNED AT THE TIME OF PRODUCTION AND RECORDED IN THE PROPER LOCATIONS

NOTES:

- FOR MINIMUM PHASE-TO-GROUND AND PHASE-TO-PHASE CLEARANCES WITH TYPE POLIM-S SURGE ARRESTERS, REFER TO THE POLIM-S PRODUCT BULLETIN (2GNM110077). OTHER APPARATUS STANDARDS, OTHER SPECIFICATIONS OR LOCAL CODES MAY SUPERCEDE DISTANCES SPECIFIED.
- ARRESTER ASSEMBLY CONSISTS OF ARRESTER UNIT, LINE & GROUND TERMINALS WITH .50 INCH HARDWARE.
- DESIGNED FOR VERTICAL OR HORIZONTAL MOUNT.
- MAX CANTILEVER LOAD 20,000 in-lbs [2260 Nm].
- PRESSURE RELIEF CLASS IS 63 kA RMS SYMMETRICAL.
- NOMINAL CREEPAGE DISTANCE 11.3 [287].
- MAXIMUM ARRESTER WEIGHT 18.0 lbs [8.2 kg].

DETAIL A
(ENLARGED)
TOP AND BOTTOM



TOP TENDER PURPOSES ONLY

ALL DIMENSIONS IN INCHES [MM] UNLESS NOTED

This drawing is the property of ABB INC. and contains proprietary and confidential information which must not be duplicated, used or disclosed other than expressly authorized by ABB INC.

POLIM-S IEEE STATION / IEC CLASS 3
POLYMER ARRESTER (CUBICAL)
2 SHED HOUSING OUTLINE

ABB

ABB INC.
Power Products Division
100 Distribution Center, Mt Pleasant, PA 15666

CAD DRW PRDZ WILDFIRE 2.0

SCALE 0:20

ASSY. DWG.

OWN KRYGOWSKI

CRD DJK

APP DJK

SHEET 1 OF 1

4F4011

REV. DESCRIPTION & DATE

01	MARCH 3, 2010	CHART TOV COLUMN HEADER RECONFIGURED
02	MARCH 24, 2011	NOTE 6: CREEPAGE 11.0 WAS 11.2
03	OCTOBER 29, 2013	NOTE 6: 11.3 WAS 11.0 DJK
04	JULY 21, 2015	ADDRESS UPDATED DJK

PRO.e-bdr-c