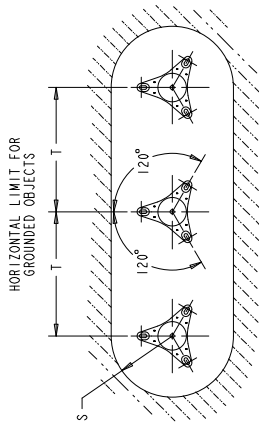


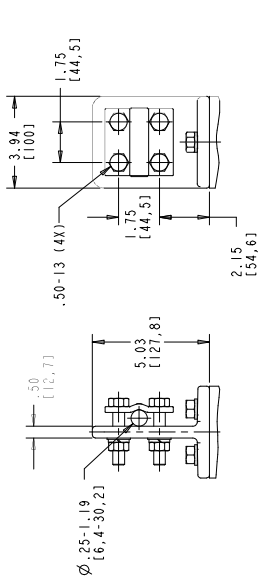
STYLE NO.	DUTY CYCLE %	KVrms	HEIGHT H		CREEPAGE		LBS	kg	MINIMUM CLEARANCE FROM CENTERLINE				SCE SAP NO.	FIGURE
			IN	MM	IN	MM			PHASE TO GROUND	PHASE TO PHASE	IN	MM		
G003SA02ASCE	3	2.55	14.4	366	11.0	279	18.0	8.2	7	178	11	279	10109159	1
G006SA05ASCE	6	5.10	14.4	366	11.0	279	18.0	8.2	7	178	11	279	10109160	1
G012SA010ASCE	12	10.2	18.4	467	22.7	577	22.0	10.0	7	178	11	279	10109169	2
G015SA012ASCE	15	12.7	18.4	467	22.7	577	22.0	10.0	7	178	11	279	10109161	2
G018SA015ASCE	18	15.3	18.4	467	22.7	577	22.0	10.0	8	203	12	305	10109162	3
G021SB017BSCE	21	17.0	24.3	617	42.2	1072	33.0	15.0	9	228	13	330	10109163	3
G030SA024ASCE	30	24.4	24.3	617	42.2	1072	33.0	15.0	12	305	16	406	10109164	3
G045SA037ASCE	45	36.5	32.1	815	67.0	1702	47.0	21.4	15	381	19	483	10109165	4

NOTES:

- INCREASE CLEARANCES "S" & "T" 3% PER 1,000 FT. [304.8 m] OVER 6,000 FT. [1828.8 m].
- ARRESTER ASSEMBLY CONSISTS OF ARRESTER UNIT, NAMEPLATE & GROUND TERMINALS WITH CLAMPS, AND 0.500" DIA. HARDWARE.
- MINIMUM DIMENSIONS FOR ARRESTERS, OTHER APPARATUS STANDARDS, OTHER SPECIFICATIONS OR LOCAL CODES MAY REQUIRE GREATER SPACING.
- PRESSURE RELIEF CLASS IS 63 KA RMS SYMMETRICAL.
- LINE & GROUND TERMINALS CAN ACCOMMODATE CU OR AL CABLE SIZE NO. 2 TO 1000 MCM (.250" TO 1.188") DIA.
- MIG. SLOTS FOR .500 DIA. HARDWARE (3). EQUALLY SPACED ON 8.75 [222] OR 10.00 [254] B.C. THICKNESS OF LUG = 0.88 [22.35].

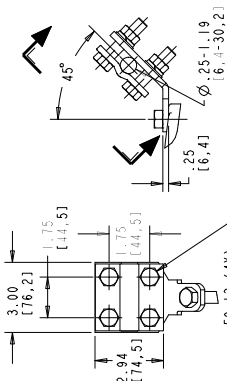


HORIZONTAL ϕ INSTALLATION LAYOUT



DETAIL A
(ENLARGED)
SCALE: 0.375

LINE TERMINAL (ALUMINUM)



DETAIL B
(ENLARGED)
SCALE: 0.375

GROUND TERMINAL (GALVANIZED)
(CAN BE ATTACHED TO ANY LUG)

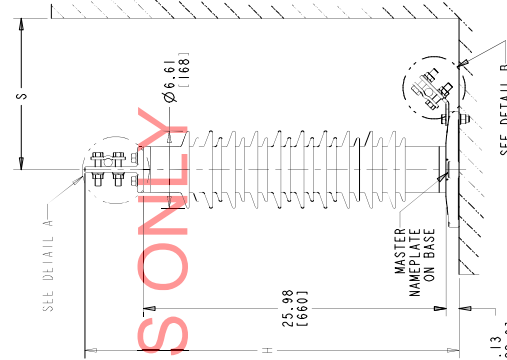


FIGURE 4

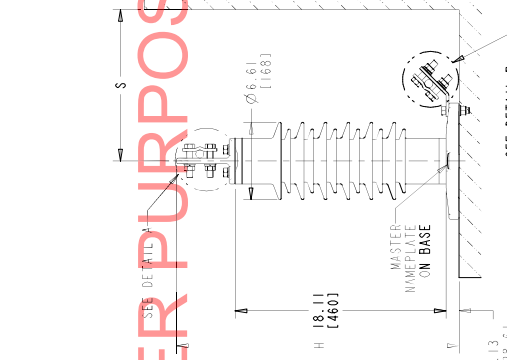


FIGURE 3

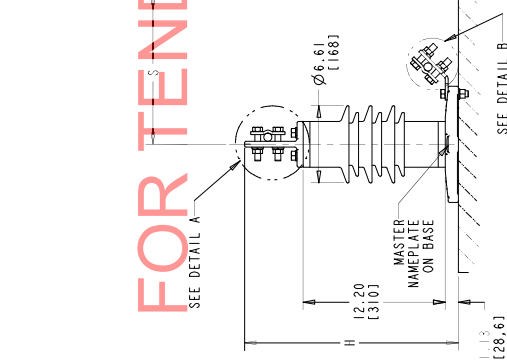


FIGURE 2

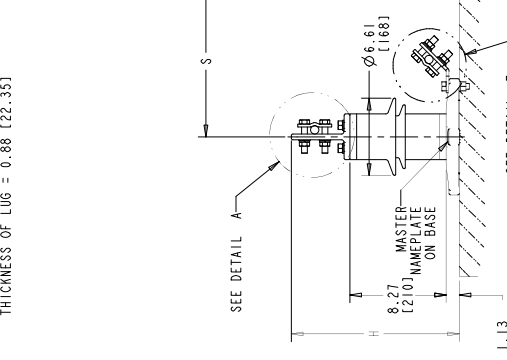


FIGURE 1

FOR TENDER PURPOSES ONLY

DRILLING PLAN
(ENLARGED)
SCALE: 0.250

ALL DIMENSIONS IN INCH (MM) UNLESS NOTED	
DIMENSIONS IN PARENTHESES ARE METRIC EQUIVALENTS. METRIC DIMENSIONS ARE NOT TO BE USED UNLESS SPECIFICALLY NOTED OTHERWISE.	
POLYM-S METAL OXIDE POLYMER ARRESTER 3-45 KV OUTLINE FOR SEE	
ABB INC. Power Products Division 500 Distribution Circle, W. Pittsburg, PA 15066	ABB INC. Power Products Division 500 Distribution Circle, W. Pittsburg, PA 15066
SCALE: 0.250	SCALE: 0.250
DATE: 04-10-13	DATE: 04-10-13
DR: DEBORA	DR: DEBORA
FIG: 5	FIG: 5
4F5085	4F5085

REV. DESCRIPTION & DATE	05 AUGUST 14, 2013
REV. 2: ADDITIONAL DIMENSIONS	05 AUGUST 14, 2013
REV. 1: ADDITIONAL DIMENSIONS	05 AUGUST 14, 2013
REV. 0: ORIGINAL DESIGN	05 AUGUST 14, 2013