

STYLE NO.	RATINGS (kV rms)		TOV (kV rms)		MAXIMUM RESIDUAL VOLTAGE WITH CURRENT WAVE (kV PEAK)			
	VOLTAJE VmCov	MCOV VmCov	WITH PRIOR ENERGY 5.6 kJ/kV/mcOV	IMPULSE OF 30/60 μS	SPL (SIPL)	LPL (LIPL)	8/20 μS	FOV 0.5 μS
0030MA024UH	3	2.55	0.0 sec = 4.93	9.77	10.9	11.3	12.9	12.8
0040MA034UH	4	3.40	0.0 sec = 4.93	10.0	11.2	11.6	13.3	13.1
0050MA044UH	5	4.25	0.0 sec = 6.57	12.3	13.7	14.4	16.3	16.1
0060MA054UH	6	5.10	0.0 sec = 6.57	12.8	14.3	15.0	17.0	16.8
0070MA064UH	7	5.95	0.0 sec = 9.86	17.7	19.8	21.0	23.6	23.3
0080MA074UH	8	6.80	0.0 sec = 9.86	18.5	20.7	22.0	24.7	24.4
0090MA084UH	9	7.65	0.0 sec = 9.86	19.0	21.3	22.6	25.4	25.0
0100MA094UH	10	8.40	0.0 sec = 11.0	21.0	23.3	25.0	28.0	27.6
0110MA104UH	12	10.2	0.0 sec = 13.1	25.1	28.1	30.0	33.5	33.1
0120MA124UH	15	12.7	0.0 sec = 16.4	31.3	35.0	37.5	41.8	41.2
0130MA154UH	18	15.3	0.0 sec = 19.7	37.4	41.9	45.0	50.0	49.3
0140MA174UH	21	17.0	0.0 sec = 23.0	41.8	46.9	50.4	55.9	55.2
0150MA194UH	24	19.5	0.0 sec = 26.3	47.7	53.5	57.6	63.9	63.0
0160MA224UH	27	22.0	0.0 sec = 29.6	53.6	60.1	64.8	71.8	70.8
0170MA244UH	30	24.4	0.0 sec = 32.9	59.5	66.7	72.0	79.7	78.6

* 500A (3-132 Vr), 1000A (138-240 Vr), 2000A (258-444 Vr)

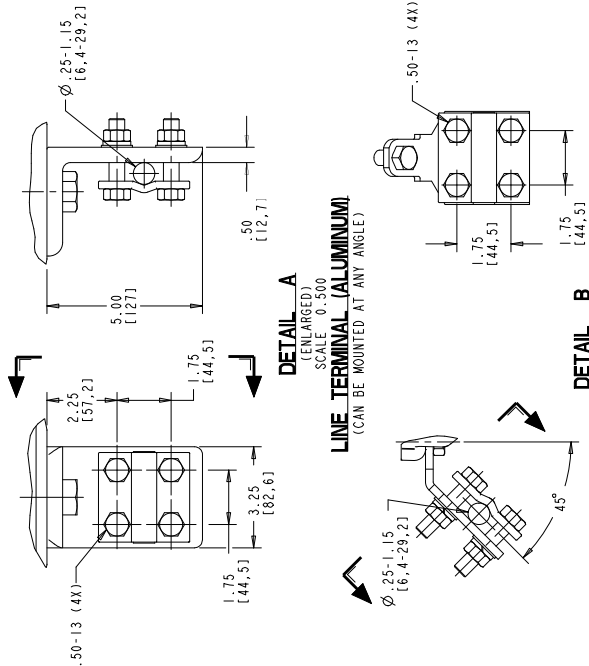
ABB EXLIM SURGE ARRESTER		MADE IN USA	
STYLE NO. *		RATING *	IV
SERIAL NO. *		MCOV *	IV
IEEE CLASS STATION / 3	PRESSURE CLASS 65	IA	
DATE *	WT 77 lbs	FINISH	

MASTER NAMEPLATE (SSTL)

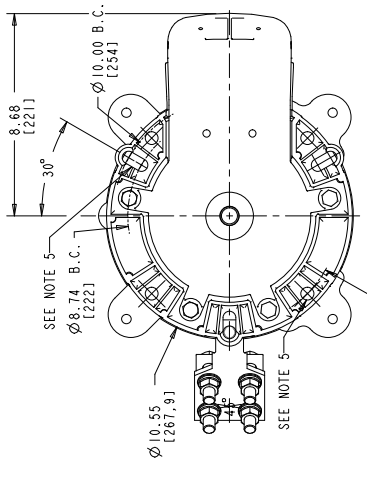
* ASSIGNED AT THE TIME OF PRODUCTION AND RECORDED IN THE PROPER LOCATIONS

- NOTES:
- FOR MINIMUM PHASE-TO-GROUND AND PHASE-TO-PHASE CLEARANCES WITH TYPE EXLIM SURGE ARRESTERS REFER TO THE EXLIM PRODUCT BULLETIN (26NM10005). OTHER APPARATUS STANDARDS, OTHER SPECIFICATIONS OR LOCAL CODES MAY SUPERCEDE DISTANCES SPECIFIED.
 - ARRESTER ASSEMBLY CONSISTS OF ARRESTER UNIT, LINE & GROUND TERMINALS WITH GALVANIZED CLAMPS, AND .50 INCH HARDWARE.
 - LINE & GROUND TERMINALS CAN ACCOMMODATE CU OR AL CABLE.
 - SIZE NO. 2 TO 1000 MCM (.25-16.4) TO 1-1/2 (29.2) DIA.
 - LINE & GROUND TERMINAL CLAMP CAN BE MOUNTED AS SHOWN.
 - DRILL HOLES AND SLOTS FOR 500 INCH HARDWARE.
 - THICKNESS OF LUGS = .79 (20.1)
 - DESIGNED FOR VERTICAL MOUNT.
 - MAX CANTILEVER LOAD 66,380 in-lbs (7500 Nm).
 - PRESSURE RELIEF CLASS IS 65 KA RMS SYMMETRICAL.
 - NOMINAL CREEPAGE DISTANCE 33 (839).
 - MAXIMUM CREEPAGE WEIGHT 77 lbs (35 kg).

FOR TENDER PURPOSES ONLY



GROUND TERMINAL (GALVANIZED)
(CAN BE ATTACHED TO ANY LUG)



DRILLING PLAN

ALL DIMENSIONS IN INCHES (MM) UNLESS NOTED

ABB INC.
Rover Product Division
300 Distribution Circle, W. Pittsboro, PA 15066

EXLIM-Q IEEE STATION / IEC CLASS 3
GREY PORCELAIN ARRESTER
6 SHED HOUSING OUTLINE (UNDERHUNG)

ABB
SHEET 1 OF 1

4F73 18

REV. DESCRIPTION & DATE

REV. 28, 2012