

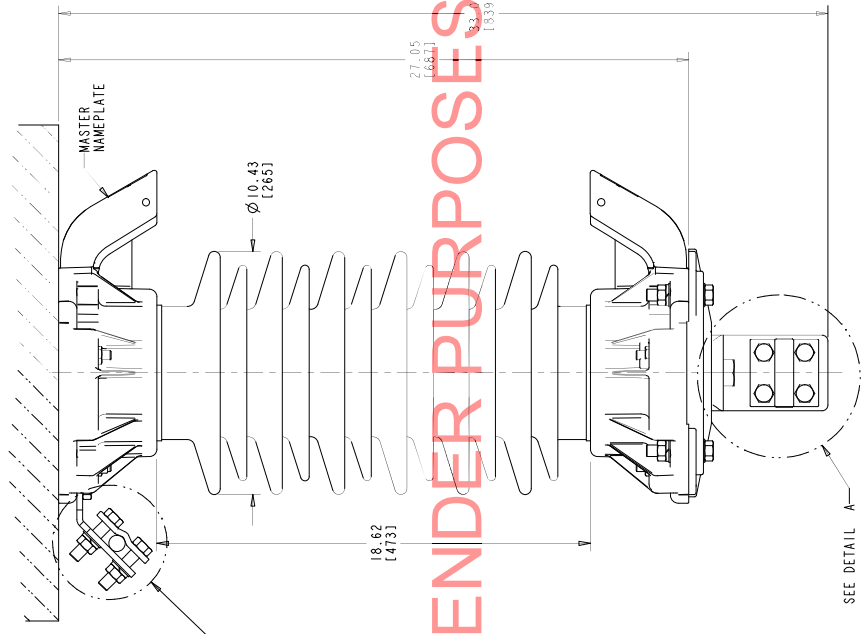
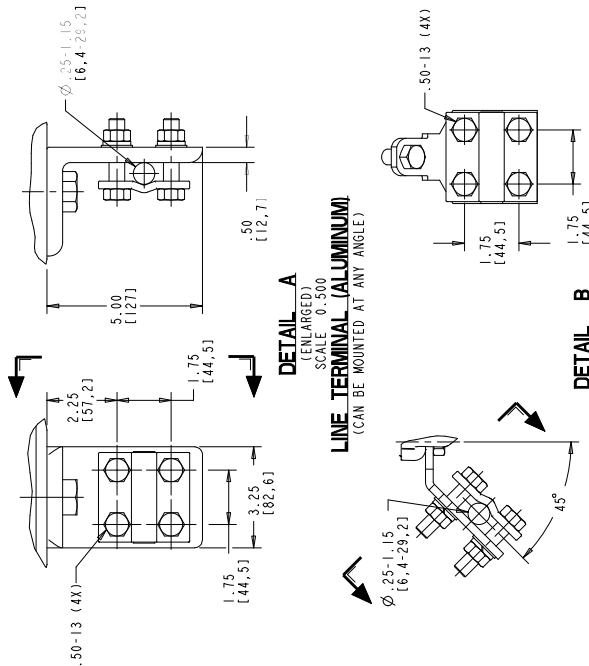
STYLE NO.	RATINGS (kV rms)		TOV (kV rms)	MAXIMUM RESIDUAL VOLTAGE WITH CURRENT WAVE (kV PEAK)					
	VOLTAJE V <sub>r</sub>	MCOV V <sub>mco</sub>		WITH PRIOR ENERGY 30/60 μS	SPL (SIPL)	LPL (LIPL)	FW		
			5.6 kJ/kVmcov	500 A	3 kA	10 kA	20 kA	10 kA	0.5 μS
				STANDARD CREEP					
0033MA027AUH	33	27.0	010 sec = 36.1	65.4	73.4	79.2	87.6	86.4	
0036MA029AUH	36	29.0	010 sec = 39.4	71.3	80.0	86.4	95.5	94.2	
0039MA031AUH	39	31.5	010 sec = 42.7	77.3	86.6	93.6	103	102	
0042MA034AUH	42	34.0	010 sec = 46.0	83.3	93.4	101	112	110	
0045MA037AUH	45	36.5	010 sec = 49.3	89.1	99.9	108	119	118	
0048MA039AUH	48	39.0	010 sec = 52.6	95.6	107	116	128	126	
0054MA042AUH	54	42.0	010 sec = 59.1	107	120	130	144	142	
0060MA048AUH	60	48.0	010 sec = 66.7	119	133	144	159	157	
				EXTRA CREEP					
0024NB019AUH	24	19.5	010 sec = 26.3	47.7	53.5	57.6	63.9	63.0	
0027NB022AUH	27	22.0	010 sec = 29.6	53.6	60.1	64.8	71.8	70.8	
0030NB024AUH	30	24.4	010 sec = 32.9	59.5	66.7	72.0	79.7	78.6	

<b>ABB</b> EXLIM SURGE ARRESTER		MADE IN USA
STYLE NO. *	RATING * IV	
SERIAL NO. *	MOY * IV	
IEEE CLASS STATION / 3 - PRESSURE CLASS 65 kV		
DATE *	WT 106 lbs	

\* ASSIGNED AT THE TIME OF PRODUCTION AND RECORDED IN THE PROPER LOCATIONS

- NOTES:
- FOR MINIMUM PHASE-TO-GROUND AND PHASE-TO-PHASE CLEARANCES WITH TYPE EXLIM SURGE ARRESTERS REFER TO THE EXLIM PRODUCT BULLETIN (26NM10005). OTHER APPARATUS STANDARDS, OTHER SPECIFICATIONS OR LOCAL CODES MAY SUPERCEDE DISTANCES SPECIFIED.
  - ARRESTER ASSEMBLY CONSISTS OF ARRESTER UNIT, LINE & GROUND TERMINALS WITH GALVANIZED CLAMPS, AND .50 INCH HARDWARE.
  - LINE & GROUND TERMINALS CAN ACCOMMODATE CU OR AL CABLE. SIZE NO. 2 TO 1000 MCM (.25-.16.4) TO 1.15 (.28.23) DIA.
  - LINE & GROUND TERMINAL CLAMP CAN BE MOUNTED AS SHOWN.
  - ONE HOLES AND SLOTS FOR 500 INCH HARDWARE.
  - THICKNESS OF LUGS = .79 (20.1)
  - DESIGNED FOR VERTICAL MOUNT.
  - MAX CANTILEVER LOAD 66,380 in-lbs (7500 Nm).
  - PRESSURE RELIEF CLASS IS 65 kA RMS SYMMETRICAL.
  - NOMINAL CREEPAGE DISTANCE 63.6 (1615).
  - MAXIMUM CREEPAGE WEIGHT 106 lbs (48 kg).

FOR TENDER PURPOSES ONLY



**DETAIL B**  
(ENLARGED)  
SCALE 0.500

**DETAIL A**  
(ENLARGED)  
SCALE 0.500

ALL DIMENSIONS IN INCHES (MM) UNLESS NOTED

THIS DRAWING IS UNCONTROLLED. THE USER SHALL BE RESPONSIBLE FOR VERIFYING THE DIMENSIONS OF THE PRODUCT PRIOR TO INSTALLATION. THE USER SHALL BE RESPONSIBLE FOR VERIFYING THE DIMENSIONS OF THE PRODUCT PRIOR TO INSTALLATION.

EXLIM-Q IEEE STATION / IEC CLASS 3	ABB INC
GREY PORCELAIN ARRESTER	Power Products Division
12 SHED HOUSING OUTLINE (UNDERHUNG)	300 Distribution Circle, Ft. Peck, PA 15066
	SCALE: 1:1
	SHEET 1 OF 1
	4F7319
	1

**DRILLING PLAN**

REV. DESCRIPTION & DATE	4F7319
01 MAY 28, 2012	