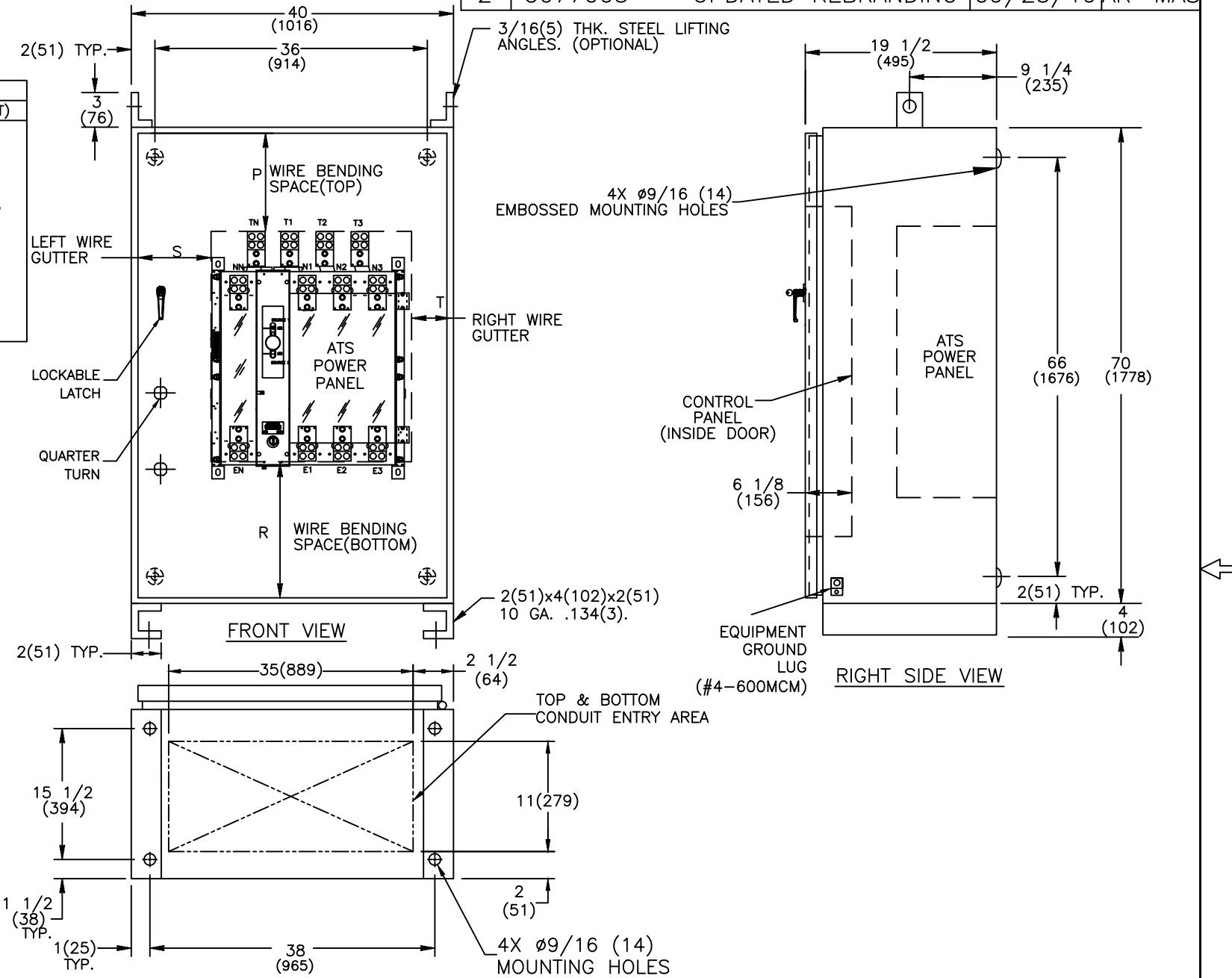


REVISIONS			
REV.	DESCRIPTION	DATE	APPROVED
2	C077003 UPDATED REBRANDING	09/23/19	AR MAS

MODEL	AMPERAGE	CONTROLLER TYPE	NO. POLES	NEMA CABINET	LUG RANGE	WIRE BENDING SPACE		WIRE GUTTERS	
						P(TOP)	R(BOTTOM)	S(LEFT)	T(RIGHT)
ZTS(D/CT)	1000-1200	MX-250	2,3	8600049971P	(QTY 4) #2-600 MCM (33-304mm ²)	18 11/16 (475)	18 5/8 (473)	17 1/4 (438)	1 1/8 (29)
			4					11 1/2 (292)	



NOTES:

- MATERIAL: UNLESS OTHERWISE NOTED.
A. 12 GA. (.104) REF. 1018 HRS (8600049971P)
- FINISH: ANSI 61 GRAY
- ALL DIMENSIONS ARE FOR REFERENCE ONLY. SHOWN IN INCHES (MILLIMETER)
- CONSTRUCTION PER UL 1008 STANDARD.
- SWITCH SUPPLIED WITH STANDARD MECHANICAL LUG, RATED FOR AL&CU CABLES.
- SWITCH IS DESIGNED FOR BOTH TOP AND BOTTOM CABLE ENTRY WITH STANDARD SWITCH CONFIGURATION IS, LOAD AND NORMAL LUGS ON TOP AND EMERGENCY LUGS AT BOTTOM.
- 100% RATED SOLID/SWITCH NEUTRAL PROVIDED PER THE SWITCH CONFIGURATION.
- FOR SEISMIC MOUNTING, REFER TO SHEET NO.2
- REFER LUG TORQUE LABEL FOR TORQUE INFORMATION.

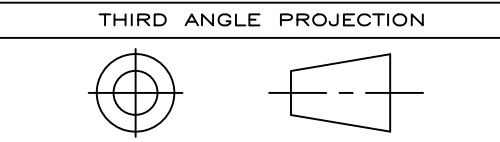
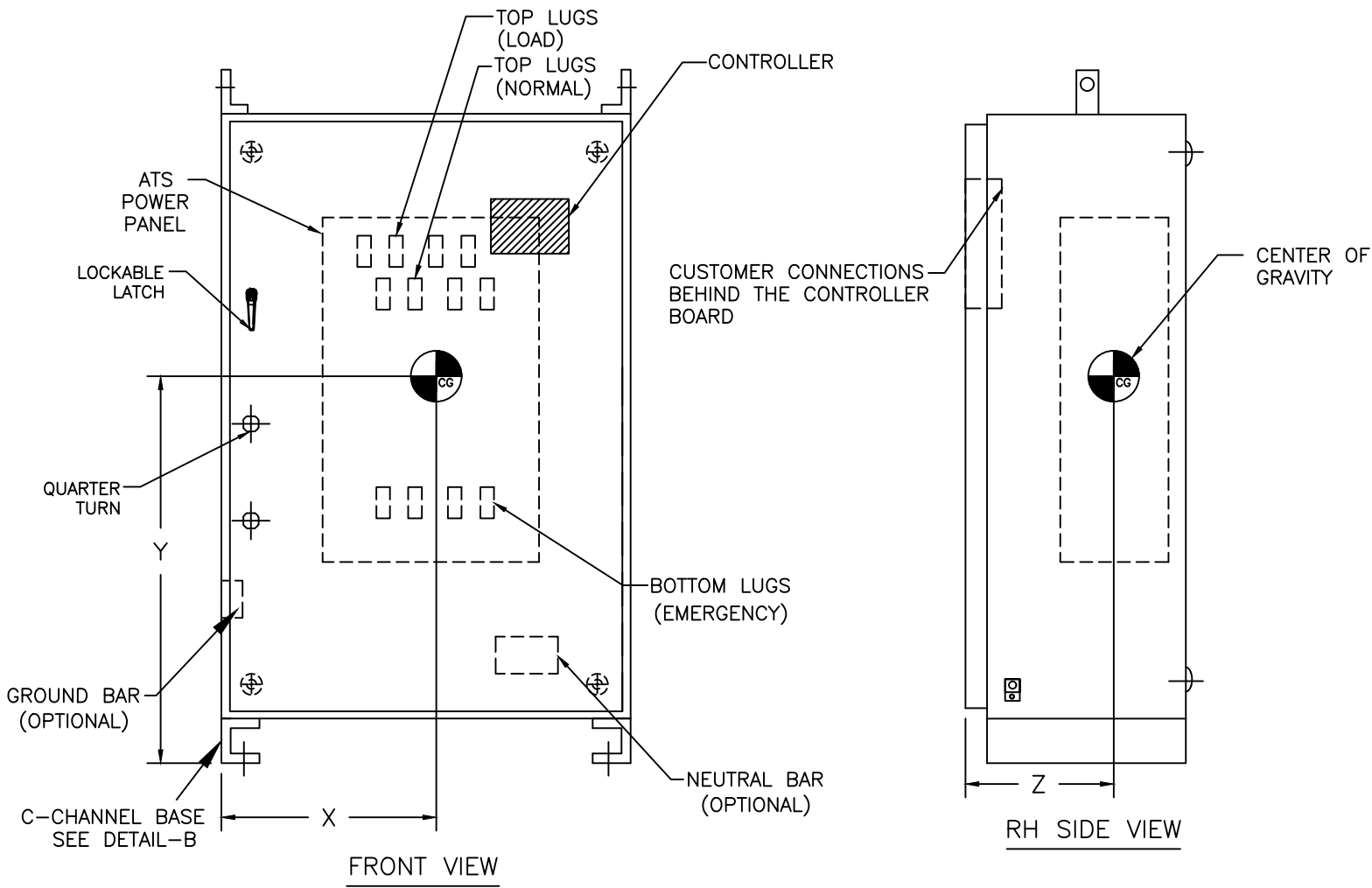


ABB PROPRIETARY AND CONFIDENTIAL INFORMATION
 The information contained in the document has to be kept strictly confidential. Any unauthorized use, reproduction, distribution or disclosure to third parties is strictly forbidden. ABB reserves all rights regarding intellectual Property Rights. Copyright 2018 ABB. All rights reserved.

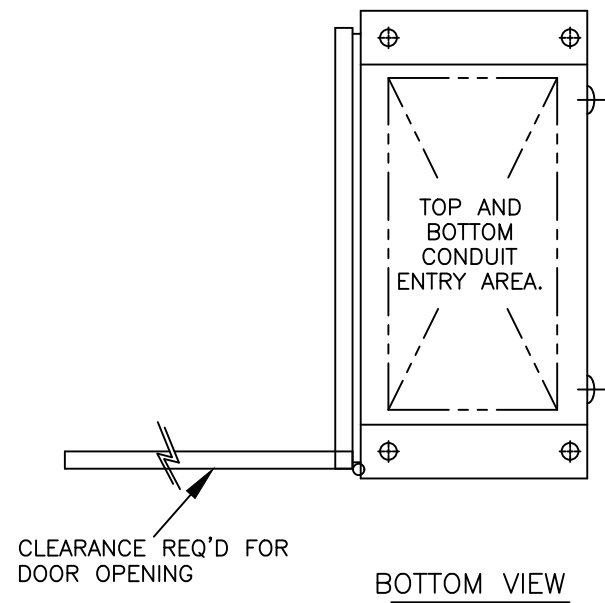
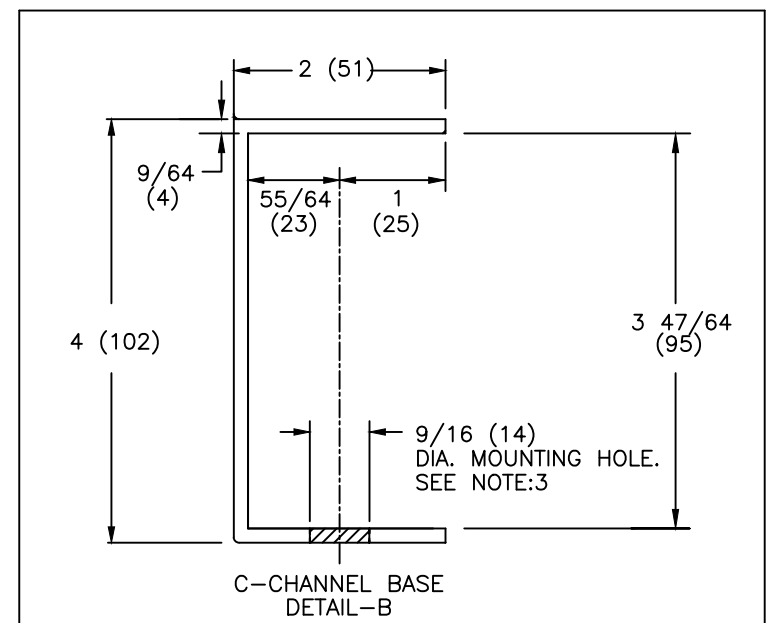
SIGNATURES		DATE		 ATS LAYOUT – NEMA-1 FOR 1000-1200A ATS
MODEL	EC		11/01/00	
DETAIL				
CHECKED				
ENGRG	SB		11/01/00	
MFG				
QUALITY				
ISSUED				FIRST MADE FOR: ZTS(D/CT) 1000-1200AMP
DRAWING FILE:	50c-1000.dwg		SIZE	B
MODEL / ASSEMBLY FILE:	ZTS(D/CT) 1000-1200AMP		CAGE CODE	
# CTQs			DWG NO	50C-1000
			SCALE:	N/A
			SHEET	1 OF 2

AutoCad Generated



NOTES:

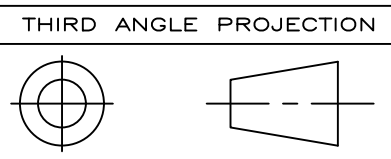
1. ALL DIMENSIONS ARE FOR REFERENCE ONLY AND SHOWN IN INCHES (MILLIMETERS).
2. BOLT ENCLOSURE FROM C-CHANNEL BASE (SEE DETAIL B) USING THE FOLLOWING SEISMIC CERTIFIED MOUNTING HARDWARE PER MOUNTING HOLE:
(HARDWARE PROVIDED BY INSTALLER).
* 1/2-13 GRADE 5 BOLT TORQUE TO 70 FT-LBS. (95 NEWTON METERS).
* 1/2-13 STANDARD FLAT WASHER
* 1/2 (13) HELICAL SPRING LOCK WASHER.
3. CENTER OF GRAVITY DIMENSIONS ARE FOR REFERENCE ONLY.
4. FOR WORKING CLEARANCE REFER TO NATIONAL AND LOCAL CODES AND STANDARDS.



AMP	POLE	WEIGHT	CENTER OF GRAVITY in(mm)		
		LB(kg)	X	Y	Z
1000-1200	2,3	500(227)	22.0	35.0	12.0
	4	550(249)	(559)	(889)	(305)

SIGNATURES		DATE		ZTS(D/CT) 1000-1200A INSTALLATION DWG. NEMA 1		
MODEL	EC	11/01/00				
DETAIL						
CHECKED						
ENGRG	CEE	1/26/01				
MFG				TITLE		
QUALITY				FIRST MADE FOR:		
ISSUED				SIZE	CAGE CODE	DWG NO
DRAWING FILE:		50c-1000.dwg		B		50C-1000
MODEL / ASSEMBLY FILE:		ZTS(D/CT) 1000-1200AMP				
# CTQs		⊖ CRITICAL TO QUALITY CHARACTERISTIC		SCALE: N/A		SHEET 2 OF 2

ABB PROPRIETARY AND CONFIDENTIAL INFORMATION
 The information contained in the document has to be kept strictly confidential.
 Any unauthorized use, reproduction, distribution or disclosure to third parties is strictly forbidden.
 ABB reserves all rights regarding intellectual Property Rights.
 Copyright 2018 ABB. All rights reserved



AutoCad Generated

