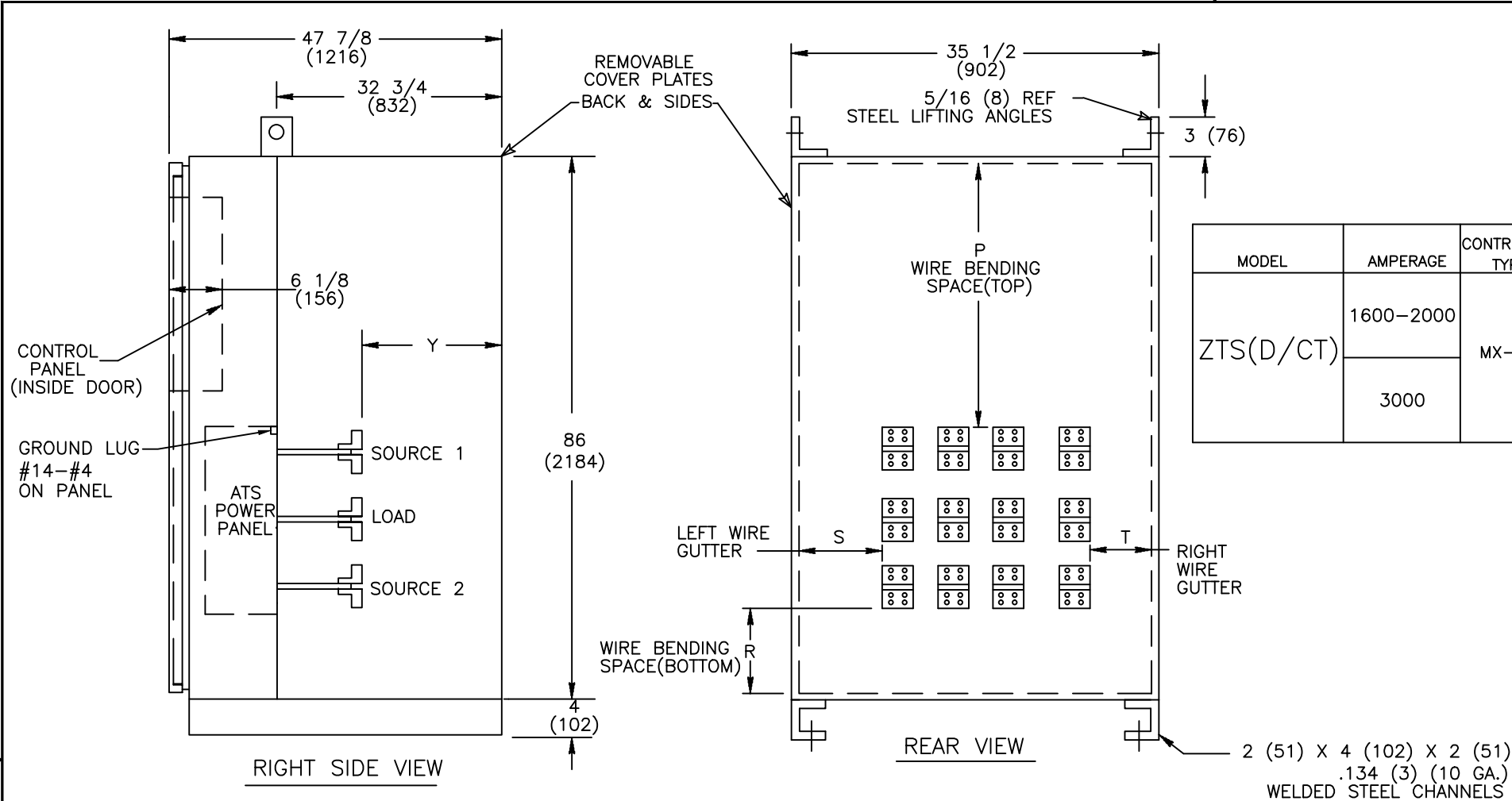


REVISIONS			
REV.	DESCRIPTION	DATE	APPROVED
1	C031728 REVISED DRAWING	08/16/17	CEE MAS

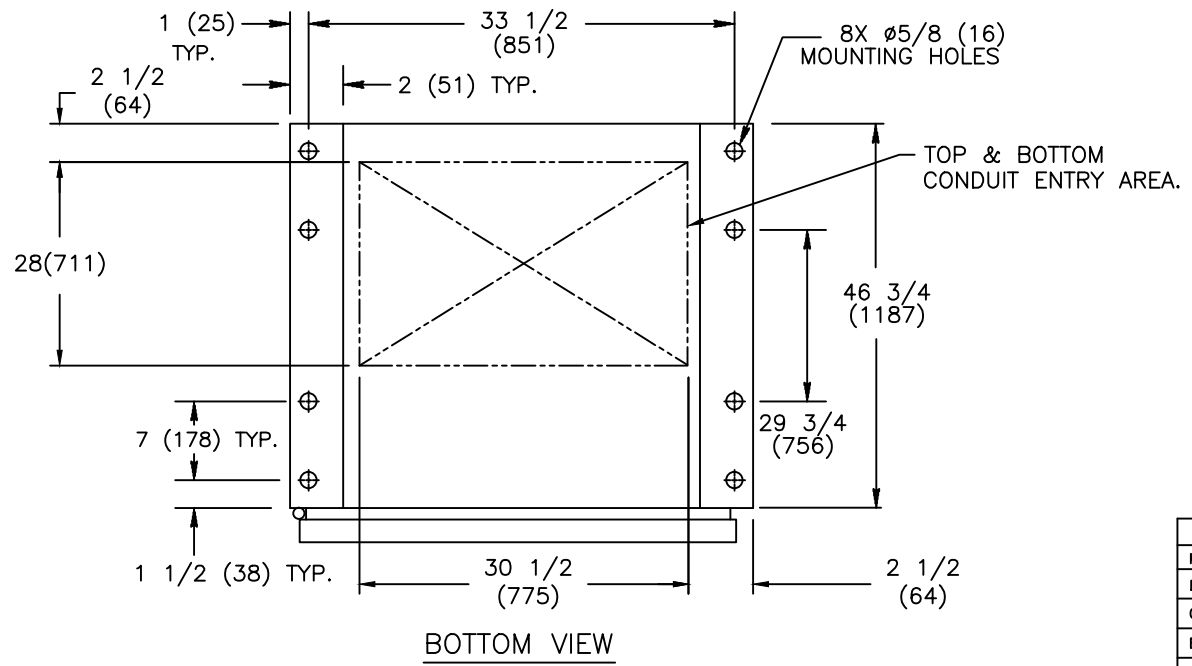


MODEL	AMPERAGE	CONTROLLER TYPE	NO. POLES	NEMA CABINET	LUG RANGE	WIRE BENDING SPACE		WIRE GUTTERS		CABINET REAR Y
						P(TOP)	R(BOTTOM)	S(LEFT)	T(RIGHT)	
ZTS(D/CT)	1600-2000	MX-250	3	F-1864MPL	(QTY 8) #2-600 MCM (33-304mm <sup>2</sup> )	41 1/8 (1045)	20 1/8 (511)	5 3/4 (146)	17 1/4 (438)	23 5/8 (600)
			4						5 3/4 (146)	
	3		17 1/4 (438)						16 1/4 (413)	
	4		5 3/4 (146)							

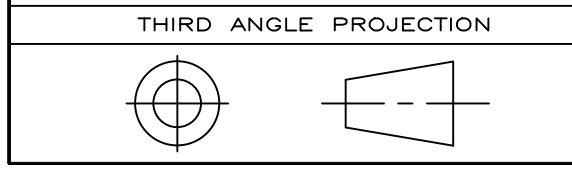
**IMPORTANT NOTE:**  
LUGS ARE SUPPLIED AS OPTIONAL ACCESSORY ONLY. TYPICAL CONFIGURATION SHOWN FOR REFERENCE ONLY.  
ON 3000 AMP SWITCH LUGS ARE ORIENTED VERTICALLY. REQUIRED LUG ADAPTORS.

**NOTES:**

1. MATERIAL: 10 GA. .134(3) 1018 HRS REF.
2. FINISH: ANSI 61 GREY
3. ALL CABLE ENTRY IN REAR OF CABINET.
4. WIRING BENDING AND GUTTER SPACES MEASURED AT POINT OF CONNECTION TO LUGS. LUGS ARE SUPPLIED AS OPTION ONLY.
5. ALL DIMENSIONS ARE FOR REFERENCE ONLY AND SHOWN IN INCHES(MILLIMETERS).
6. CONSTRUCTION PER UL 1008
7. FOR SEISMIC MOUNTING, REFER TO SHEET NO.2.
8. 100% RATED SOLID/SWITCH NEUTRAL PROVIDED PER THE SWITCH CONFIGURATION.
9. CABINET HAS LOUVERS. AND LOUVERS ARE LOCATED ON SIDES AND REAR WALL OF THE CABINET.
10. SUITABLE FOR TOP AND/OR BOTTOM CABLE ENTRY.
11. SIDES AND REAR SKINS ARE REMOVABLE FOR CABLE CONNECTIONS.



SIGNATURES		DATE	
MODEL SG		02/05/01	
DETAIL		TITLE	
CHECKED		ATS LAYOUT	
ENGRG SB		1600-3000A NEMA-1 ATS	
MFG		FIRST MADE FOR: ZTS(D)(CT) 1600-3000A	
QUALITY		SIZE B	CAGE CODE
ISSUED		DWG NO	
DRAWING FILE: 50c-1001-1.dwg		50C-1001	
MODEL / ASSEMBLY FILE: ZTS(D/CT) 1600-3000		SHEET 1 OF 2	
# CTQs	⊖ CRITICAL TO QUALITY CHARACTERISTIC	SCALE: N/A	



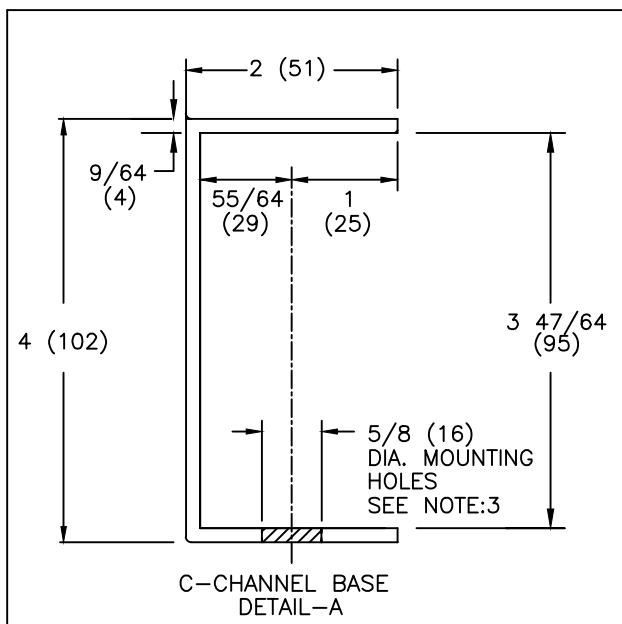
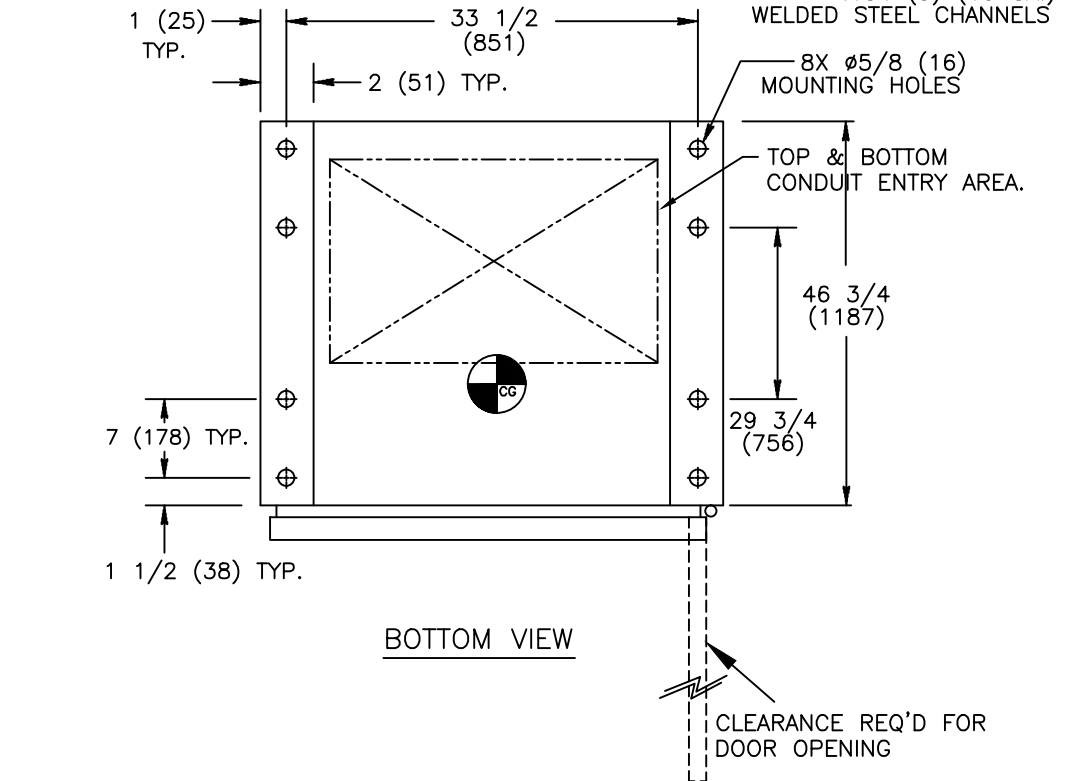
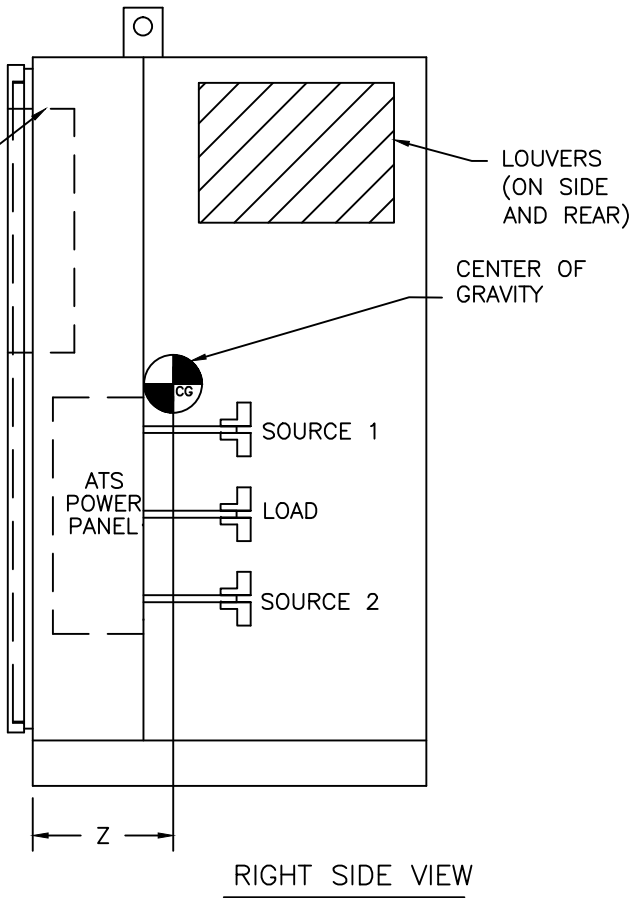
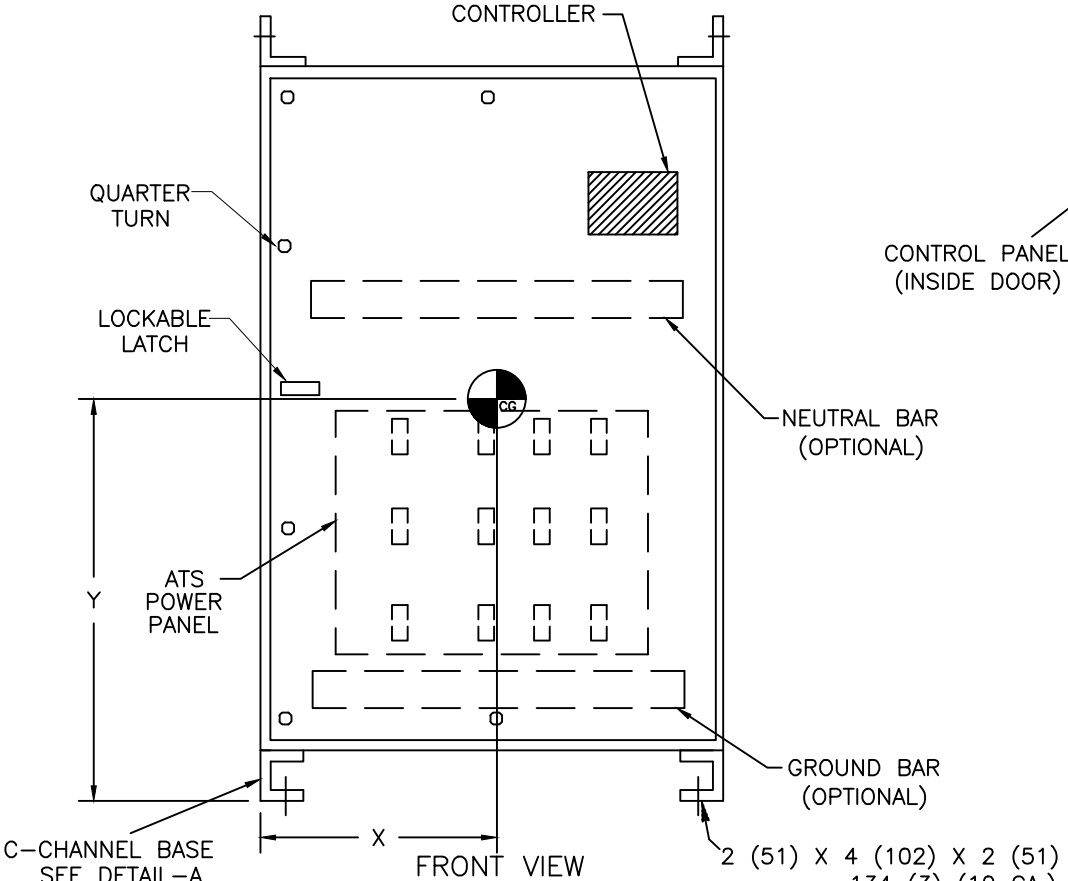
GE PROPRIETARY AND CONFIDENTIAL INFORMATION  
This document is the property of General Electric Company ("GE") and contains proprietary information of GE. This document is loaned on the express condition that neither it nor the information contained therein shall be disclosed to others without the express written consent of GE Industrial Systems, and that the information shall be used by the recipient only as approved expressly by GE Industrial Systems. This document shall be returned to GE upon its request. This document may be subject to certain restrictions under U.S. export control laws and regulations.

AutoCad Generated

REVISIONS			
REV.	DESCRIPTION	DATE	APPROVED
1	C031728 REVISED DWG	08/24/17	YP MAS

**NOTES:**

- ALL DIMENSIONS ARE FOR REFERENCE ONLY AND SHOWN IN INCHES (MILLIMETERS).
- BOLT ENCLOSURE FROM C-CHANNEL BASE (SEE DETAIL B) USING THE FOLLOWING SEISMIC CERTIFIED MOUNTING HARDWARE PER MOUNTING HOLE:  
(HARDWARE PROVIDED BY INSTALLER).  
\* 1/2-13 GRADE 5 BOLT TORQUE TO 70 FT-LBS. (95 NEWTON METERS).  
\* 1/2-13 STANDARD FLAT WASHER  
\* 1/2 (13) HELICAL SPRING LOCK WASHER.
- CENTER OF GRAVITY DIMENSIONS ARE FOR REFERENCE ONLY.
- FOR WORKING CLEARANCE REFER TO NATIONAL AND LOCAL CODES AND STANDARDS.



AMP	POLE	WEIGHT LB(kg)	CENTER OF GRAVITY in(mm)		
			X	Y	Z
1600-2000	3	1010(458)	18.0 (457)	40.0 (1016)	14.0 (356)
	4	1160(526)			
3000	3	1130(513)	19.0 (482)	42.0 (1067)	15.0 (381)
	4	1395(633)			

SIGNATURES		DATE		<b>GE Zenith Controls</b>
MODEL JLM		01/15/08		
DETAIL				
CHECKED				
ENGRG YP		1/15/08		TITLE
MFG				1600-3000 NEMA-1 ATS ENCL SEISMIC MTG. DETAILS
QUALITY				FIRST MADE FOR: ZTS(D/CT) 1600-3000 NEMA-1
ISSUED				SIZE B
DRAWING FILE: 50c-1001-1.dwg		CAGE CODE		DWG NO
MODEL / ASSEMBLY FILE: ZTS(D/CT) 1600-3000				50C-1001
# CTQs		CRITICAL TO QUALITY CHARACTERISTIC		SCALE: N/A
AutoCad Generated				SHEET 2 OF 2

THIRD ANGLE PROJECTION

GE PROPRIETARY AND CONFIDENTIAL INFORMATION

This document is the property of General Electric Company ("GE") and contains proprietary information of GE. This document is loaned on the express condition that neither it nor the information contained therein shall be disclosed to others without the express written consent of GE Industrial Systems, and that the information shall be used by the recipient only as approved expressly by GE Industrial Systems. This document shall be returned to GE upon its request. This document may be subject to certain restrictions under U.S. export control laws and regulations.