

REVISIONS			
REV.	DESCRIPTION	DATE	APPROVED
2	C077003 UPDATED REBRANDING	09/23/19	AR MAS

ZBTSCT SWITCHES	NO. POLES	NEMA 1 CABINET	LUG RANGE	WIRE BENDING SPACE	
				P(EMERG)	R(NORMAL)
100-400 AMP	2,3	F-1860MP	(QTY 1) #4-600 MCM (33-304mm ²)	18 1/4 (464)	31 3/8 (797)
	4	F-1861MP			27 1/8 (689)

ZBTS(D/CT) SWITCHES	NO. POLES	NEMA 1 CABINET	LUG RANGE	WIRE BENDING SPACE	
				P(EMERG)	R(NORMAL)
600 AMP	2,3	F-1860MP	(QTY 2) #2-600 MCM (33-304mm ²)	18 1/4 (464)	31 3/8 (797)
	4	F-1861MP			27 1/8 (689)
800-1200 AMP	2,3	F-1862MP	(QTY 4) #2-600 MCM (33-304mm ²)	18 1/4 (464)	29 5/8 (752)
	4	F-1863MP			25 1/8 (638)

CABINET DIMENSIONS					
CABINET	A	B	C	D	E
F-1860MP	88 (2235)	36 (914)	28 1/4 (737)	24 (610)	29 (737)
F-1862MP	88 (2235)	40 (1016)	28 1/4 (737)	28 (711)	33 (838)
F-1863MP	88 (2235)	46 (1168)	28 1/4 (737)	34 (864)	39 (991)
F-1861MP	88 (2235)	40 (1016)	28 1/4 (737)	28 (711)	33 (838)

- NOTES:**
- MATERIAL: 10 GA. STEEL .134 REF. UNLESS OTHERWISE NOTED.
 - FINISH: ANSI 61 GRAY
 - LOAD AND EMERGENCY LUG CONNECTIONS AT TOP OF BYPASS SWITCH. NORMAL LUG CONNECTIONS ON RIGHT SIDE OF MOUNTING FRAME.
 - ALL CABLES MUST ENTER IN TOP WIRING AREA OF CABINET ABOVE BYPASS SWITCH. NO CABLE ENTRY ALLOWED IN BOTTOM OF CABINET.
 - REAR BAY ADAPTOR IS AVAILABLE FOR BOTTOM CABLE ENTRY. CONSULT FACTORY.
 - ALL DIMENSIONS ARE FOR REFERENCE ONLY AND SHOWN IN INCHES(MILLIMETERS).
 - CONSTRUCTION PER UL 1008
 - SWITCH SUPPLIED WITH STANDARD MECHANICAL LUG RATED FOR AL&CU CABLE. COMPRESSION LUGS ARE AVAILABLE AS AN OPTION.
 - 100% RATED SOLID/SWITCH NEUTRAL PROVIDED PER THE SWITCH CONFIGURATION.
 - REFER PAGE 2 FOR SEISMIC MOUNTING DETAILS.
 - REFER LUG TORQUE LABEL FOR TORQUE INFORMATION.

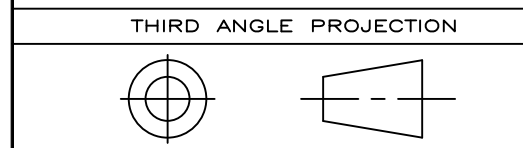

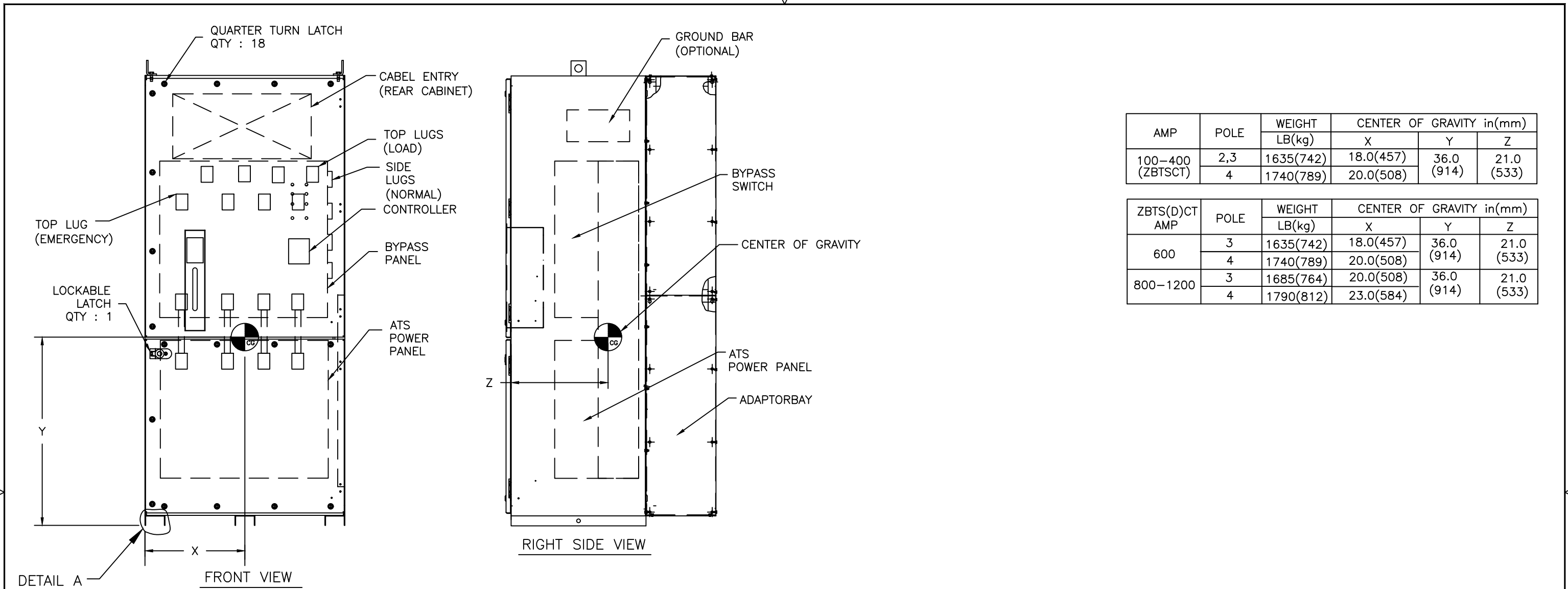


ABB PROPRIETARY AND CONFIDENTIAL INFORMATION
 The information contained in the document has to be kept strictly confidential. Any unauthorized use, reproduction, distribution or disclosure to third parties is strictly forbidden. ABB reserves all rights regarding intellectual Property Rights. Copyright 2018 ABB. All rights reserved.

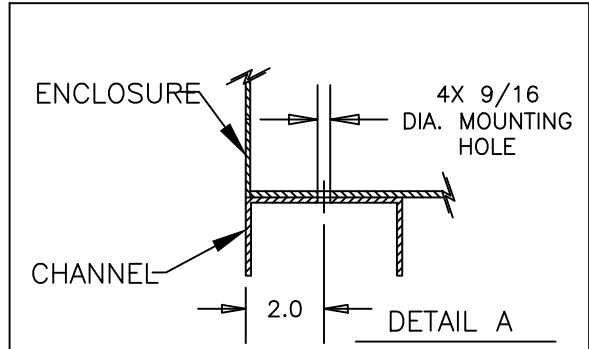
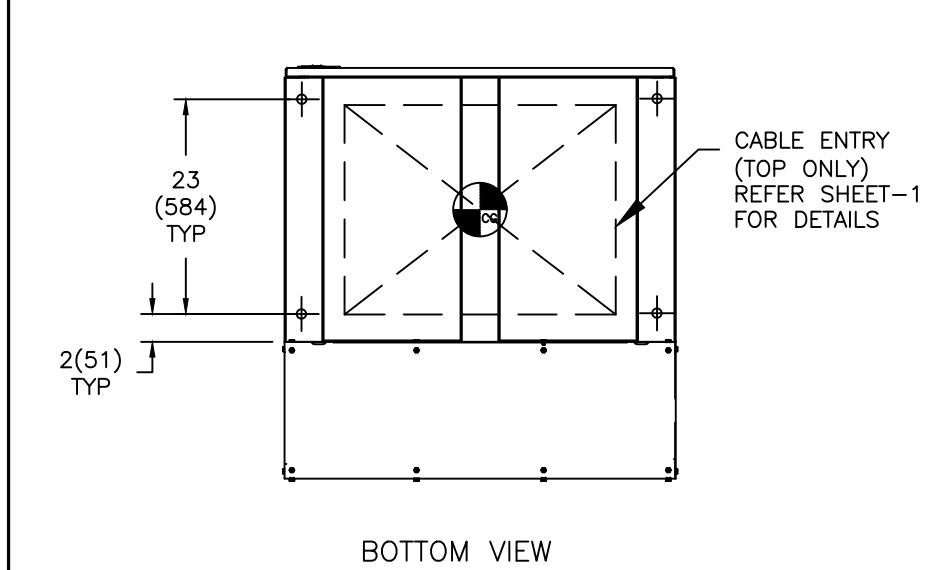
SIGNATURES		DATE	TITLE	
MODEL	SG	01/31/97	 ATS LAYOUT - NEMA-1 CABINET WITH ADAPTORBAY	
DETAIL				
CHECKED				
ENGRG				
MFG				
QUALITY				
ISSUED			FIRST MADE FOR: ZBTS(D) 600-1200 AMP & ZBTSCT 100-1200 AMP	
DRAWING FILE:	50C-1003-f-1.dwg	SIZE	CAGE CODE	DWG NO
MODEL / ASSEMBLY FILE:	ZBTS(D) 600-1200 AMP & ZBTSCT 100-1200 AMP	B		50C-1003AB
# CTQs	⊖ CRITICAL TO QUALITY CHARACTERISTIC	SCALE:	N/A	SHEET 1 OF 2

AutoCad Generated



AMP	POLE	WEIGHT LB(kg)	CENTER OF GRAVITY in(mm)		
			X	Y	Z
100-400 (ZBTSCT)	2,3	1635(742)	18.0(457)	36.0 (914)	21.0 (533)
	4	1740(789)	20.0(508)		

ZBTS(D)CT AMP	POLE	WEIGHT LB(kg)	CENTER OF GRAVITY in(mm)		
			X	Y	Z
600	3	1635(742)	18.0(457)	36.0 (914)	21.0 (533)
	4	1740(789)	20.0(508)		
800-1200	3	1685(764)	20.0(508)	36.0 (914)	21.0 (533)
	4	1790(812)	23.0(584)		



NOTES:

- ALL DIMENSIONS ARE FOR REFERENCE ONLY AND SHOWN IN INCHES (MILLIMETERS).
- BOLT ENCLOSURE FROM C-CHANNEL BASE (SEE DETAIL B) USING THE FOLLOWING SEISMIC CERTIFIED MOUNTING HARDWARE PER MOUNTING HOLE: (HARDWARE PROVIDED BY INSTALLER).
 - * 1/2-13 GRADE 5 BOLT TORQUE TO 75 FT-LBS. (102 NEWTON METERS).
 - * 1/2-13 STANDARD FLAT WASHER
 - * 1/2 (13) HELICAL SPRING LOCK WASHER.
- CENTER OF GRAVITY DIMENSIONS ARE FOR REFERENCE ONLY.
- FOR WORKING CLEARANCE REFER TO NATIONAL AND LOCAL CODES AND STANDARDS.

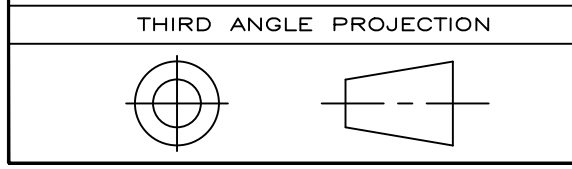


ABB PROPRIETARY AND CONFIDENTIAL INFORMATION
 The information contained in the document has to be kept strictly confidential. Any unauthorized use, reproduction, distribution or disclosure to third parties is strictly forbidden. ABB reserves all rights regarding intellectual Property Rights. Copyright 2018 ABB. All rights reserved

SIGNATURES		DATE		SEISMIC MOUNTING FOR NEMA-1 CABINET
MODEL GG		05/13/08		
DETAIL				
CHECKED				
ENGRG				
MFG				TITLE
QUALITY				FIRST MADE FOR: ZBTS(D)(CT) 600-1200A & ZBTSCT 100-400A
ISSUED				SIZE CAGE CODE DWG NO
DRAWING FILE: 50c-1003.dwg		B		50C-1003AB
MODEL / ASSEMBLY FILE:				
AutoCad Generated	# CTQs	⊖	CRTICAL TO QUALITY CHARACTERISTIC	SCALE: N/A
			SHEET	2 OF 2

