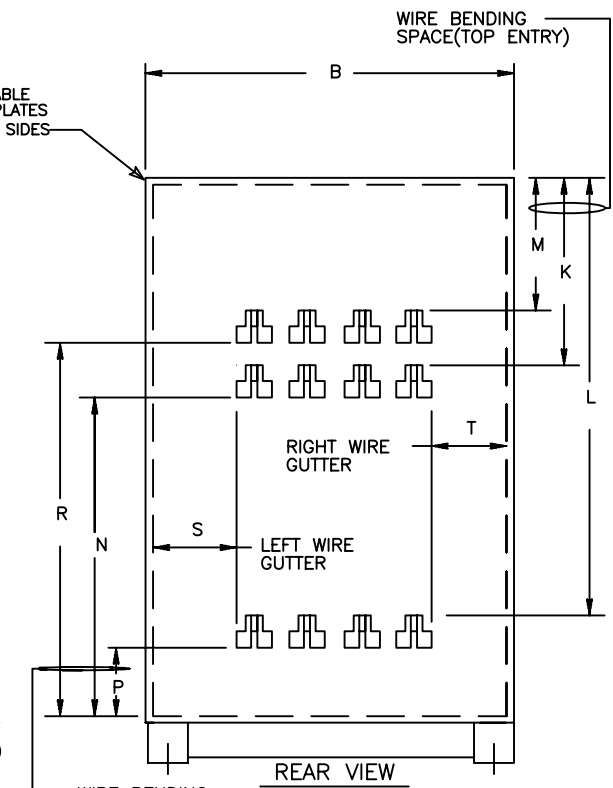
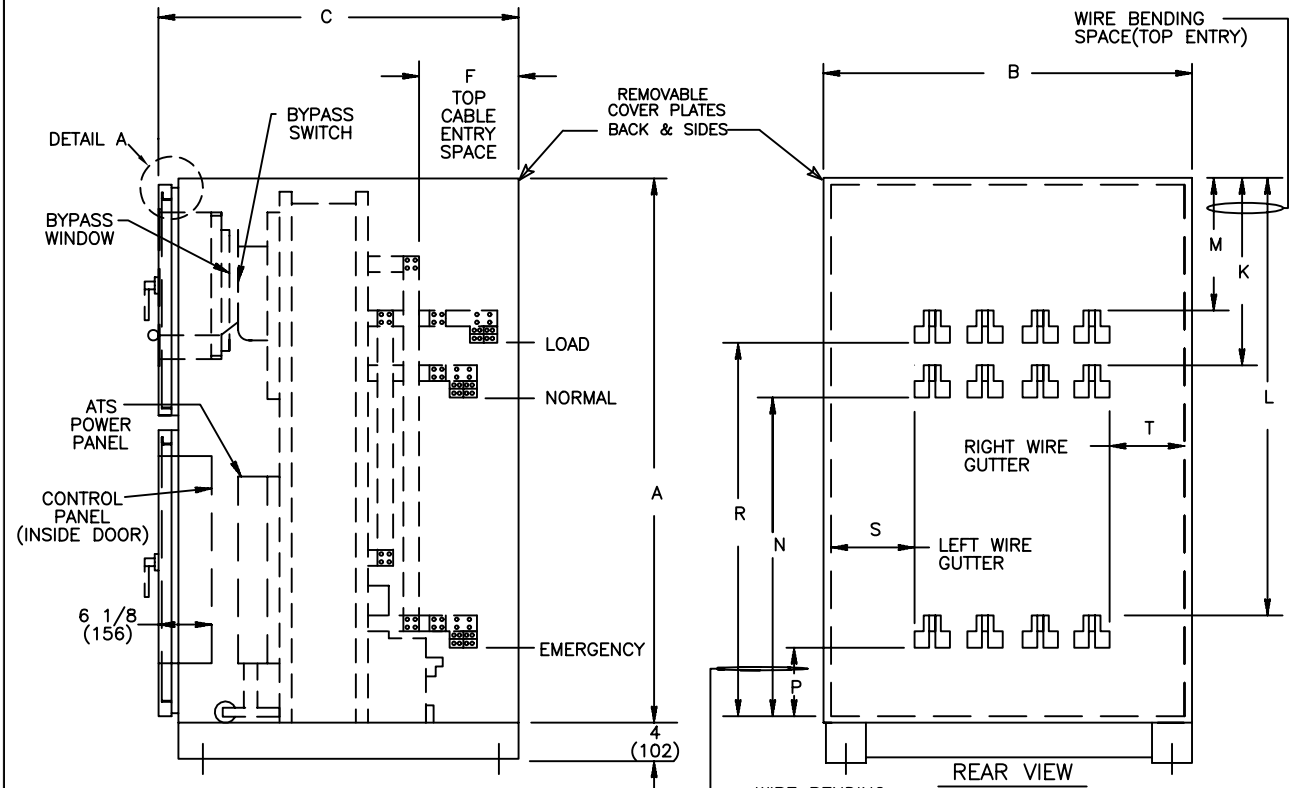
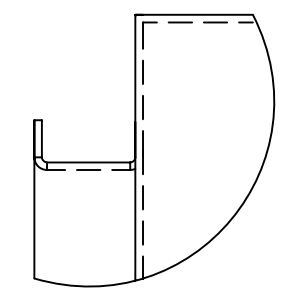
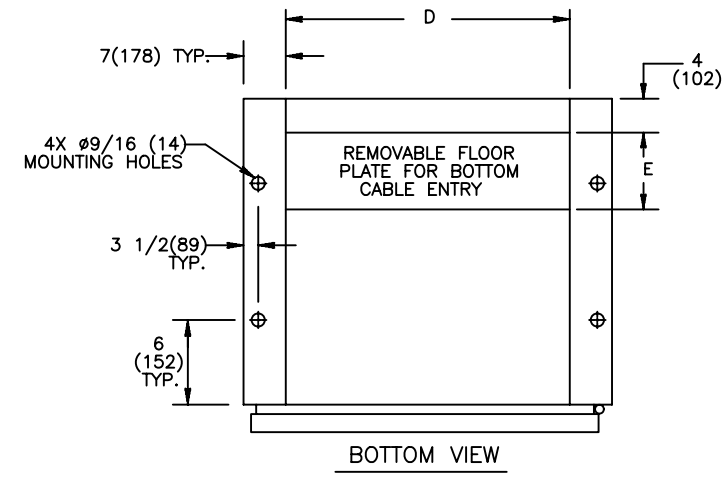


REVISIONS			
REV.	DESCRIPTION	DATE	APPROVED
D	S-8605 REVISED DRAWING	1/26/07	CEE MAS



ZBTS(D/CT) SWITCHES	CONTROLLER TYPE	NO. POLES	NEMA(1) CABINET	LUG RANGE	WIRE BENDING SPACE						WIRE GUTTERS	
					TOP ENTRY			BOTTOM ENTRY			S(LEFT)	T(RIGHT)
1600-2000 AMP	MX-250	2,3	F-1335MP	(QTY 8) #2-600 MCM (33-304mm ²)	27 3/4 (705)	64 3/4 (1645)	17 11/32 (441)	52 3/4 (1340)	15 3/4 (400)	63 5/32 (1604)	11 3/4 (298)	15 1/8 (384)
		4	F-1336MP									12 (305)
3000 AMP		2,3	F-1337MP	(QTY 8) #2-600 MCM (33-304mm ²)	28 3/4 (730)	65 3/4 (1670)	18 11/32 (466)	51 3/4 (1314)	14 3/4 (375)	62 5/32 (1579)	11 3/4 (298)	15 1/8 (384)
		4	F-1338MP									12 (305)

CABINET DIMENSIONS						
CABINET	A	B	C	D	E	F
F-1335MP	86 (2184)	40 (1016)	61 1/8 (1553)	26 (660)	21 (533)	14 (356)
F-1336MP	86 (2184)	50 (1270)	61 1/8 (1553)	36 (914)	21 (533)	14 (356)
F-1337MP	86 (2184)	40 (1016)	73 1/8 (1857)	26 (660)	33 (838)	21 (533)
F-1338MP	86 (2184)	50 (1270)	73 1/8 (1857)	36 (914)	33 (838)	21 (533)



NOTES:

- MATERIAL: 10 GA. STEEL .134(3) REF. UNLESS OTHERWISE NOTED.
- FINISH: PER F-7000.
- ALL CABLE ENTRY IN REAR OF CABINET. NO CABLE ENTRY IN FRONT OF CABINET.
- WIRING BENDING AND GUTTER SPACES MEASURED AT POINT OF CONNECTION TO LUGS.
- LUGS SHOWN FOR BOTTOM CABLE ENTRY. MAY BE REVERSED FOR TOP ENTRY CABLE ENTRY. LUGS ARE SUPPLIED AS OPTION ONLY.
- ALL DIMENSIONS ARE FOR REFERENCE ONLY AND SHOWN IN INCHES(MILLIMETERS).
- ALL HANDLING AND MOVEMENT OF CABINET MUST BE DONE IN THE UPRIGHT POSITION ONLY.
- ALL SIDE AND REAR DOOR/PANELS SHALL HAVE GUTTER AND KNIFE EDGE FLANGES, AND HAVE HINGES ON THE RIGHT HAND SIDE.
- CONSTRUCTION PER UL 1008
- FOR SEISMIC MOUNTING REFER TO SHEET NO. 2

IMPORTANT NOTE:
LUGS ARE SUPPLIED AS OPTIONAL ACCESSORY ONLY. TYPICAL CONFIGURATION SHOWN FOR REFERENCE ONLY.

SIGNATURES		DATE
MODEL	SG	01/31/97
DETAIL		
CHECKED		
ENGRG		
MFG		
QUALITY		
ISSUED		
DRAWING FILE:	50c-1004-d-1.dwg	
MODEL / ASSEMBLY FILE:	ZBTS(D/CT) 1600-3000 AMP	
# CTQs	CRITICAL TO QUALITY CHARACTERISTIC	

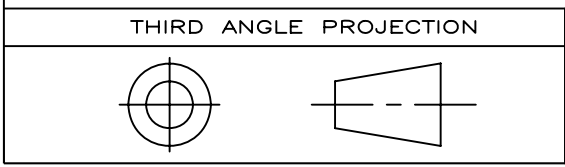
GE Zenith Controls

TITLE: TRANSFER SWITCHES NEMA 1 ENCL.

FIRST MADE FOR: -

SIZE: B CAGE CODE: DWG NO: 50C-1004

SCALE: N/A SHEET 1 OF 2



GE PROPRIETARY AND CONFIDENTIAL INFORMATION

This document is the property of General Electric Company ("GE") and contains proprietary information of GE. This document is loaned on the express condition that neither it nor the information contained therein shall be disclosed to others without the express written consent of GE Industrial Systems, and that the information shall be used by the recipient only as approved expressly by GE Industrial Systems. This document shall be returned to GE upon its request. This document may be subject to certain restrictions under U.S. export control laws and regulations.

AutoCad Generated

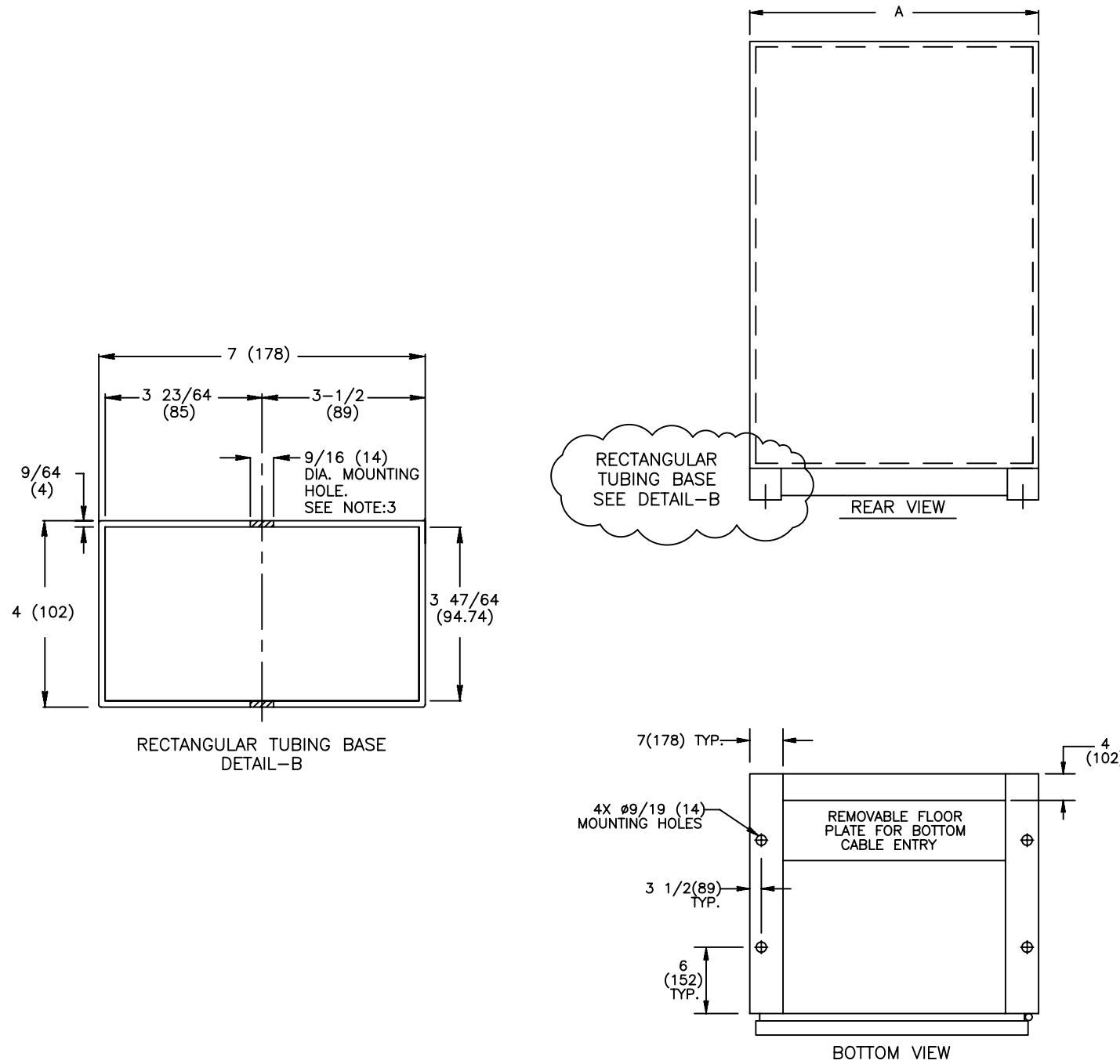
REVISIONS			
REV.	DESCRIPTION	DATE	APPROVED
D	S-8605 ESTABLISHED DRAWING	1/26/07	CEE MAS

NOTES:

- ALL DIMENSIONS ARE FOR REFERENCE ONLY AND SHOWN IN INCHES (MILLIMETERS).
- SEISMIC DATA OF MOST VULNERABLE ATS CONSTRUCTION WITHIN ITS PLATFORM:

MAXIMUM DEFLECTION AT TOP OF GEAR: $d_{ss}=0.69$ INCHES (18 mm) $d_{fb}=0.21$ INCHES (5 mm)
QUALIFIED BY: TIME HISTORY SHAKE TABLE TEST IEEE-693-2005-HIGHx2.5 (64 mm) IBC-2003-300%G
RESONANCE FREQUENCIES: $f_{ss}=10.9$ Hz $f_{fb}=19.5$ Hz $f_v > 33.0$ Hz
MAXIMUM REACTION TO ANY BOLT: $V_{ss}=945$ LBS (430 KG) SHEAR (DEAD LOAD +/- SEISMIC) $V_{fb}=945$ LBS (430 KG) SHEAR $T_v=1872$ LBS (851 KG) UP $P_v=2613$ LBS (1188 KG) DOWN

- BOLT ENCLOSURE FROM C-CHANNEL BASE (SEE DETAIL B) USING THE FOLLOWING SEISMIC CERTIFIED MOUNTING HARDWARE PER MOUNTING HOLE:
(HARDWARE PROVIDED BY INSTALLER).
 - 1/2-13 GRADE 5 BOLT TORQUE TO 15 FT-LBS. (95 NEWTON METERS).
 - US STANDARD HIGH STRENGTH ZINC-PLATED FLAT WASHER 5/8 (16) I.D. AND 1-1/2 (38) O.D.
 - 1/2 (13) HELICAL SPRING LOCK WASHER.



MODEL	AMPERAGE	NO. POLES	NEMA CABINET
ZBTS	1600-2000	2, 3	F-1335MP
		4	F-1336MP
	3000	2, 3	F-1337MP
		4	F-1338MP
ZBTSD	1600-2000	2, 3	F-1335MP
		4	F-1336MP
	3000	2, 3	F-1337MP
		4	F-1338MP
ZBTSCT	1600-2000	2, 3	F-1335MP
		4	F-1336MP
	3000	2, 3	F-1337MP
		4	F-1338MP

CABINET DIMENSIONS	
CABINET	A
F-1335MP	40 (1016)
F-1336MP	50 (1270)
F-1337MP	40 (1016)
F-1338MP	50 (1270)

SIGNATURES		DATE
MODEL	SG	01/31/97
DETAIL		
CHECKED		
ENGRG	CEE	1/26/07
MFG		
QUALITY		
ISSUED		
DRAWING FILE:	50c-1004-d-2.dwg	
MODEL / ASSEMBLY FILE:	ZBTS(D/CT) 1600-3000 AMP	
# CTQs	⊖	CRITICAL TO QUALITY CHARACTERISTIC

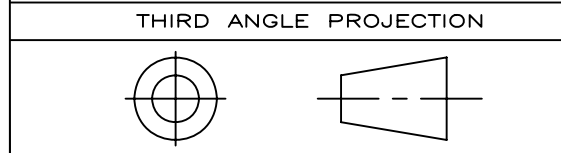
GE Zenith Controls

TITLE: NEMA 1 ENCLOSURE SEISMIC MTG. DETAIL

FIRST MADE FOR: -

SIZE: B CAGE CODE: DWG NO: 50C-1004

SCALE: N/A SHEET 2 OF 2



GE PROPRIETARY AND CONFIDENTIAL INFORMATION

This document is the property of General Electric Company ("GE") and contains proprietary information of GE. This document is loaned on the express condition that neither it nor the information contained therein shall be disclosed to others without the express written consent of GE Industrial Systems, and that the information shall be used by the recipient only as approved expressly by GE Industrial Systems. This document shall be returned to GE upon its request. This document may be subject to certain restrictions under U.S. export control laws and regulations.

AutoCad Generated