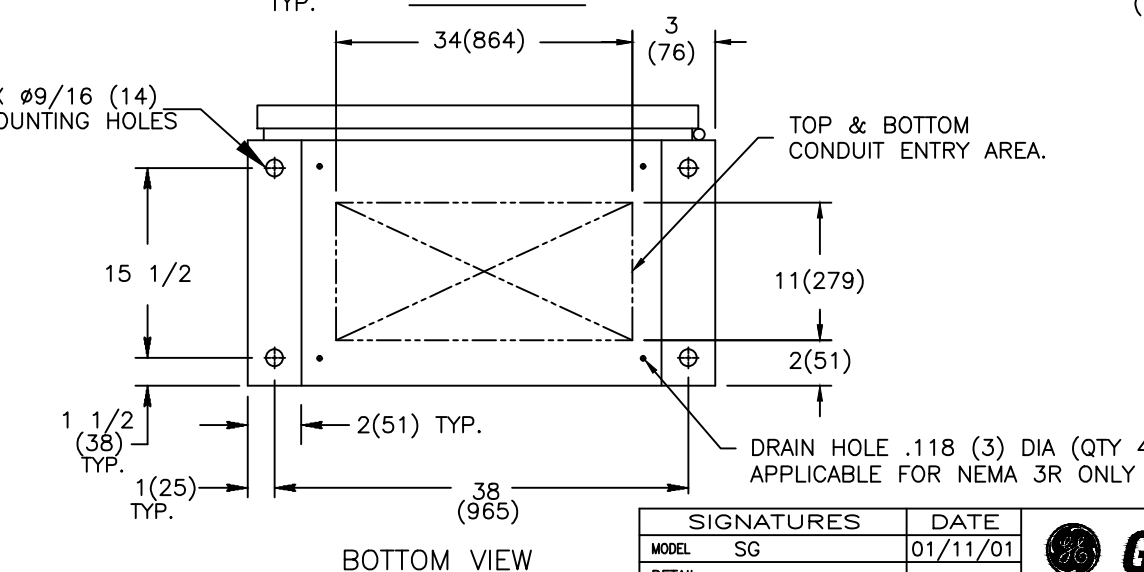
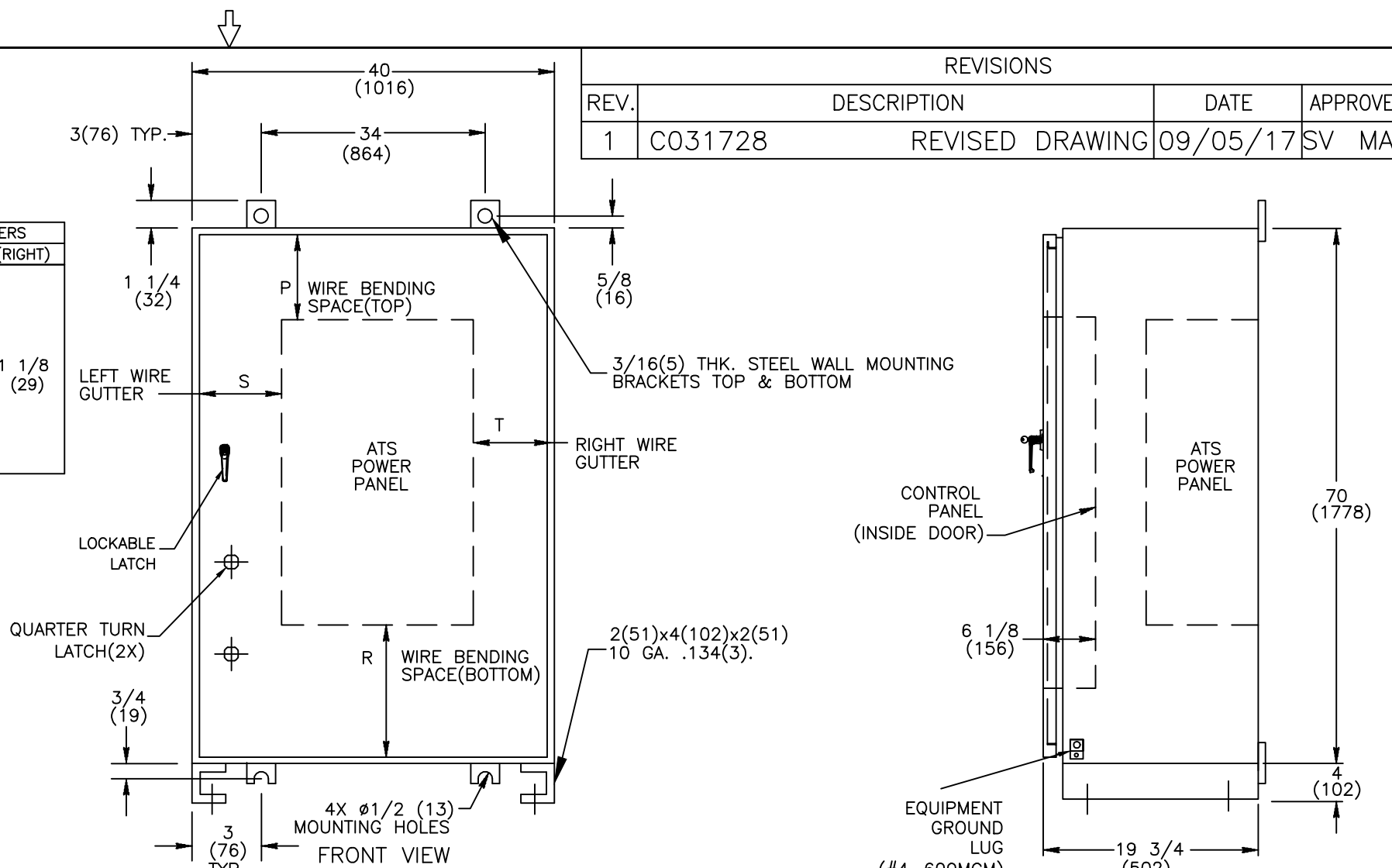


REVISIONS			
REV.	DESCRIPTION	DATE	APPROVED
1	C031728	09/05/17	SV MAS

MODEL	AMPERAGE	CONTROLLER TYPE	NO. POLES	NEMA CABINET	LUG RANGE	WIRE BENDING SPACE		WIRE GUTTERS	
						P(TOP)	R(BOTTOM)	S(LEFT)	T(RIGHT)
ZTS(D) (CT)	1000-1200 AMP	MX-250	2,3	8600050014P	(QTY 4) #2-600 MCM (33-304mm ²)	16 11/16 (424)	20 5/8 (524)	17 1/4 (438)	1 1/8 (29)
			4					11 1/2 (292)	



NOTES:

- MATERIAL: UNLESS OTHERWISE NOTED.
A. 12 GA. (.104) REF. 1018 HRS (8600050014P)
- FINISH: ANSI 61 GREY
- ALL DIMENSIONS ARE FOR REFERENCE ONLY. SHOWN IN INCHES (MILLIMETER)
- CONSTRUCTION PER UL 1008 STANDARD.
- SWITCH SUPPLIED WITH STANDARD MECHANICAL LUG, RATED FOR AL&CU CABLES.
- SWITCH IS DESIGNED FOR BOTH TOP AND BOTTOM CABLE ENTRY WITH STANDARD SWITCH CONFIGURATION IS, LOAD AND NORMAL LUGS ON TOP AND EMERGENCY LUGS AT BOTTOM.
- 100% RATED SOLID/SWITCH NEUTRAL PROVIDED PER THE SWITCH CONFIGURATION.
- FOR SEISMIC MOUNTING, REFER TO SHEET NO.2
- REFER LUG TORQUE LABEL FOR TORQUE INFORMATION.

SIGNATURES		DATE
MODEL	SG	01/11/01
DETAIL		
CHECKED		
ENGRG	MC	
MFG		
QUALITY		
ISSUED		

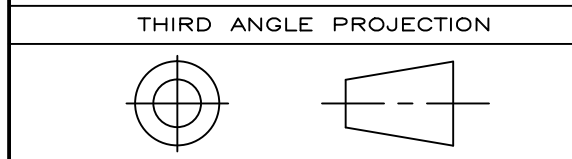
GE Zenith Controls

TITLE
1000-1200A ATS LAYOUT
NEMA 3R, 4 & 12 ENCLOSURES

FIRST MADE FOR: FOR ZTS(D/CT) ATS

SIZE	CAGE CODE	DWG NO
B		50C-1005

SCALE: N/A SHEET 1 OF 2



GE PROPRIETARY AND CONFIDENTIAL INFORMATION

This document is the property of General Electric Company ("GE") and contains proprietary information of GE. This document is loaned on the express condition that neither it nor the information contained therein shall be disclosed to others without the express written consent of GE Industrial Systems, and that the information shall be used by the recipient only as approved expressly by GE Industrial Systems. This document shall be returned to GE upon its request. This document may be subject to certain restrictions under U.S. export control laws and regulations.

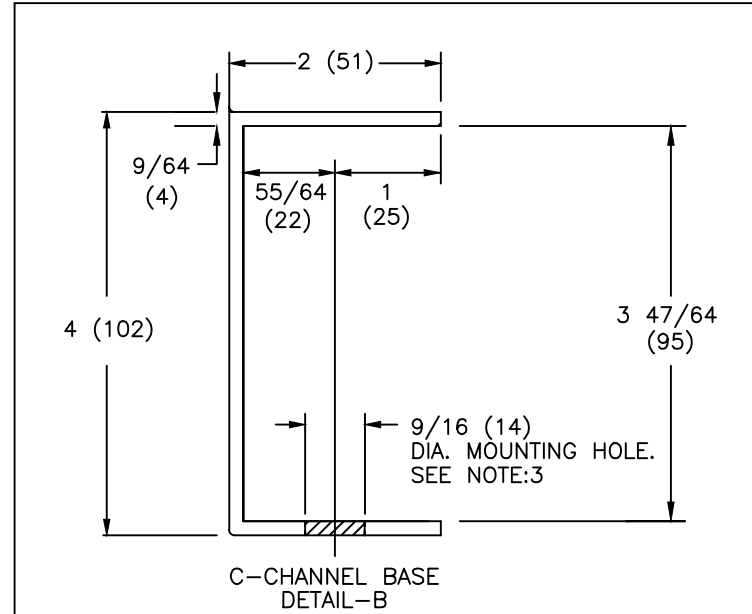
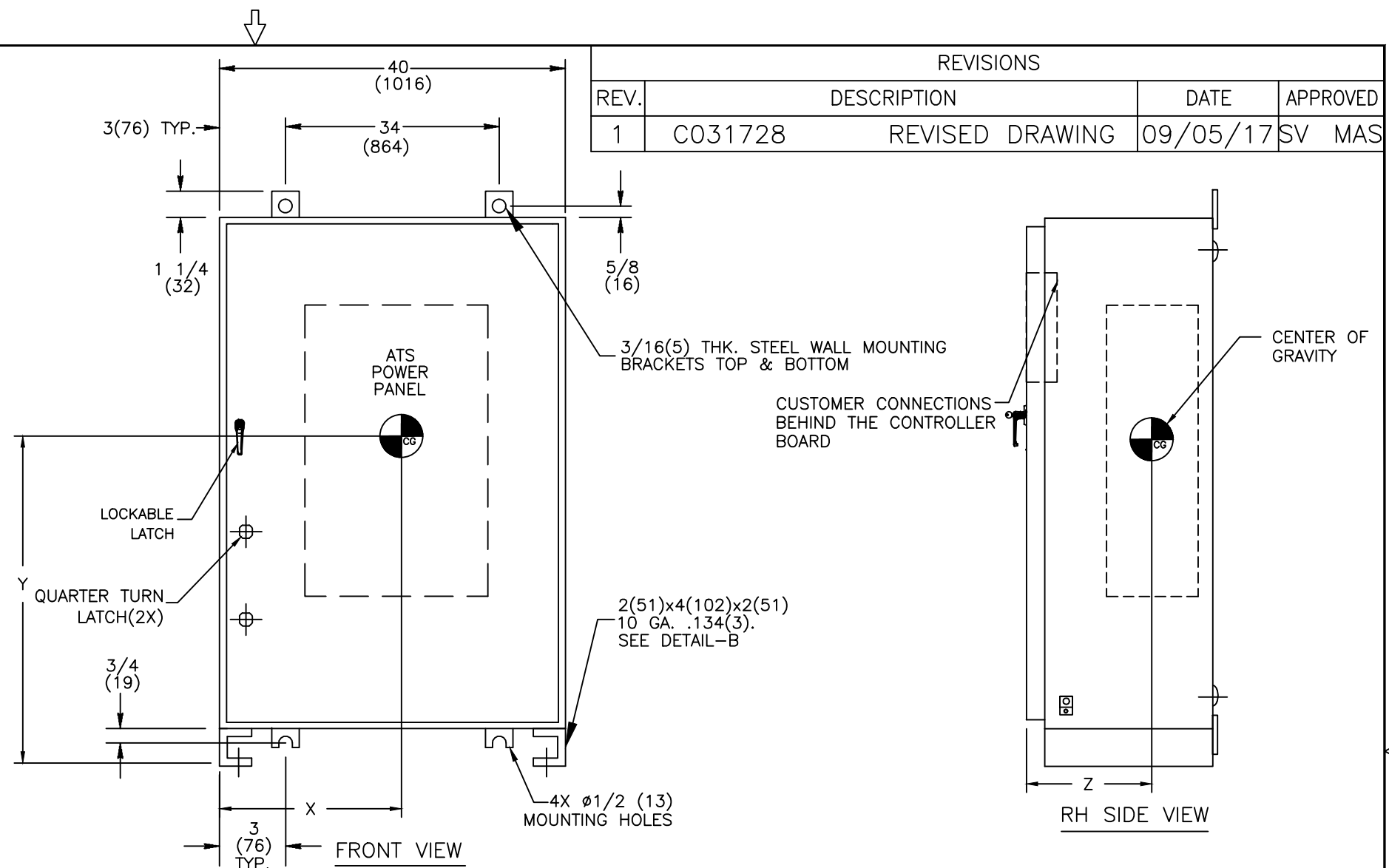
AutoCad Generated

CTQs CRITICAL TO QUALITY CHARACTERISTIC

NOTES:

- ALL DIMENSIONS ARE FOR REFERENCE ONLY AND SHOWN IN INCHES (MILLIMETERS).
- BOLT ENCLOSURE FROM C-CHANNEL BASE (SEE DETAIL B) USING THE FOLLOWING SEISMIC CERTIFIED MOUNTING HARDWARE PER MOUNTING HOLE:
(HARDWARE PROVIDED BY INSTALLER).
 - * 1/2-13 GRADE 5 BOLT TORQUE TO 70 FT-LBS. (95 NEWTON METERS).
 - * 1/2-13 STANDARD FLAT WASHER
 - * 1/2 (13) HELICAL SPRING LOCK WASHER.
- CENTER OF GRAVITY DIMENSIONS ARE FOR REFERENCE ONLY.
- FOR WORKING CLEARANCE REFER TO NATIONAL AND LOCAL CODES AND STANDARDS.

REVISIONS			
REV.	DESCRIPTION	DATE	APPROVED
1	C031728 REVISED DRAWING	09/05/17	SV MAS



AMP	POLE	WEIGHT	CENTER OF GRAVITY in(mm)		
		LB(kg)	X	Y	Z
1000-1200	2,3	540(245)	22.0	35.5	12.0
	4	590(268)	(559)	(902)	(305)

SIGNATURES		DATE
MODEL	SG	01/11/01
DETAIL		
CHECKED		
ENGRG	MC	
MFG		
QUALITY		
ISSUED		
DRAWING FILE: 50c-1005.dwg		SIZE
MODEL / ASSEMBLY FILE: ZTS(D/CT) (1000-1200A)		CAGE CODE
# CTQs	⊖ CRITICAL TO QUALITY CHARACTERISTIC	DWG NO

GE Zenith Controls

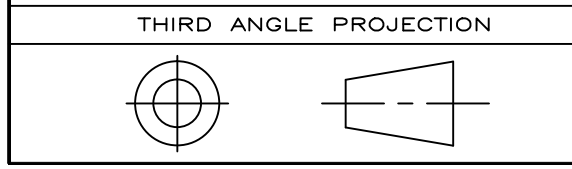
TITLE
SEISMIC MOUNTING DETAILS
NEMA 3R, 4 & 12 ENCLOSURES

FIRST MADE FOR: FOR 1000-1200A ZTS(D/CT) ATS

50C-1005

SCALE: N/A

SHEET 2 OF 2



GE PROPRIETARY AND CONFIDENTIAL INFORMATION

This document is the property of General Electric Company ("GE") and contains proprietary information of GE. This document is loaned on the express condition that neither it nor the information contained therein shall be disclosed to others without the express written consent of GE Industrial Systems, and that the information shall be used by the recipient only as approved expressly by GE Industrial Systems. This document shall be returned to GE upon its request. This document may be subject to certain restrictions under U.S. export control laws and regulations.

AutoCad Generated